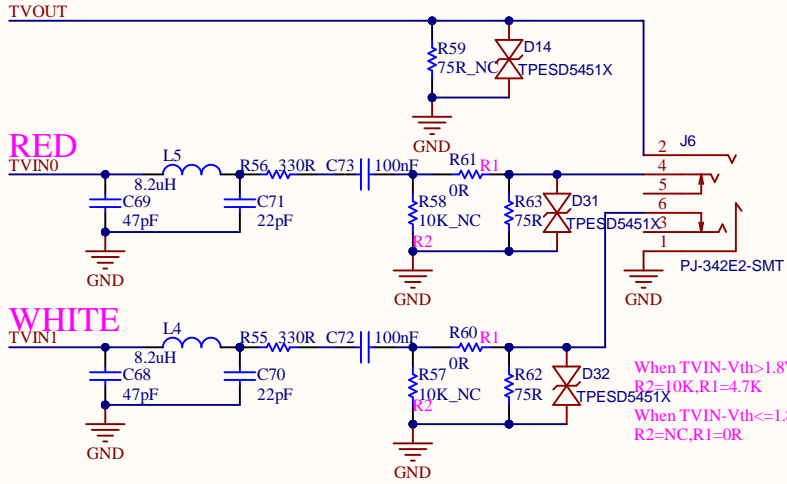


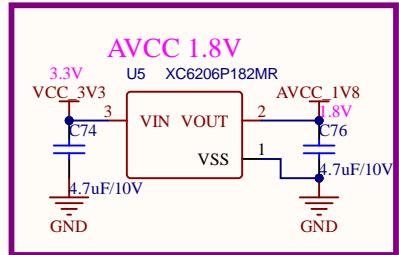
Title		
Size	Number	Revision
A4		
Date:	8/18/2023	Sheet of
File:	H:\100ask-T113&D1s-Pro开发板\4G	ED265.DOC

### Analog Video

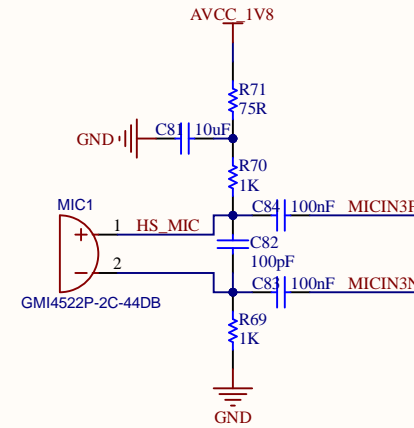
**YELLOW**



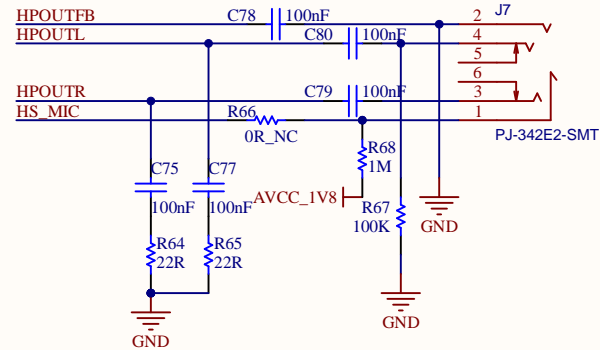
### AUDIO



### 驻极体电容咪头



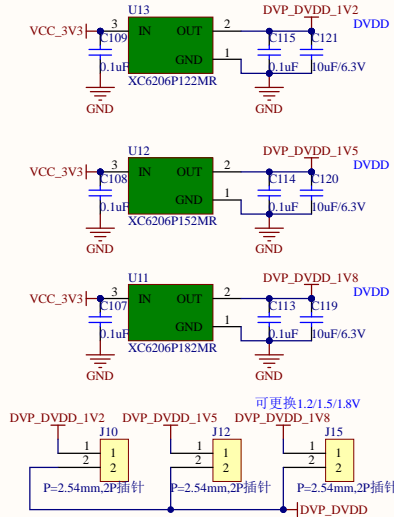
3.5mm插座（可通过电阻选择是否有MIC）



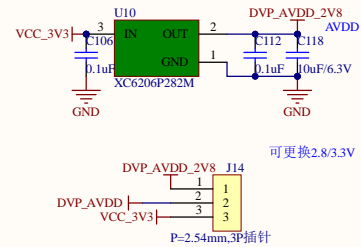
Title		
Size	Number	Revision
A4		
Date:	8/18/2023	Sheet of
File:	H:\100ask-T113&D1s-Pro开发板\AUDIO\SchDoc	

针对不同的摄像头，跳线到不同的电压

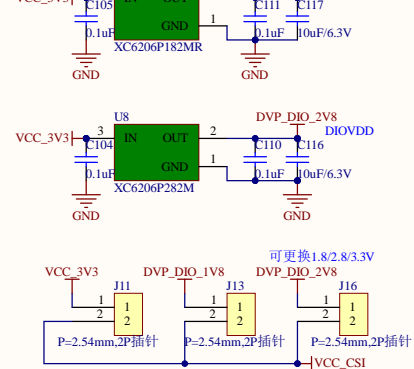
DVP DVDD电源



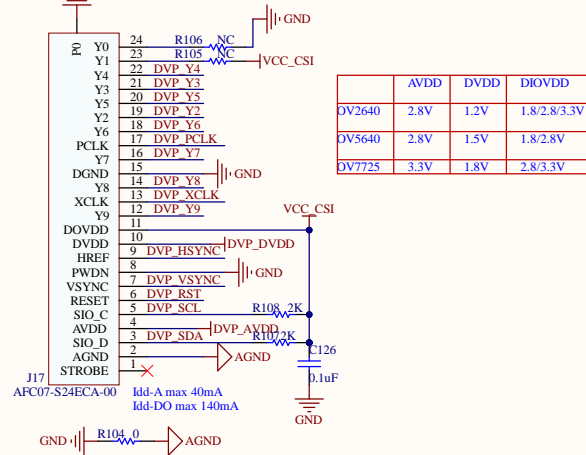
DVP AVDD电源



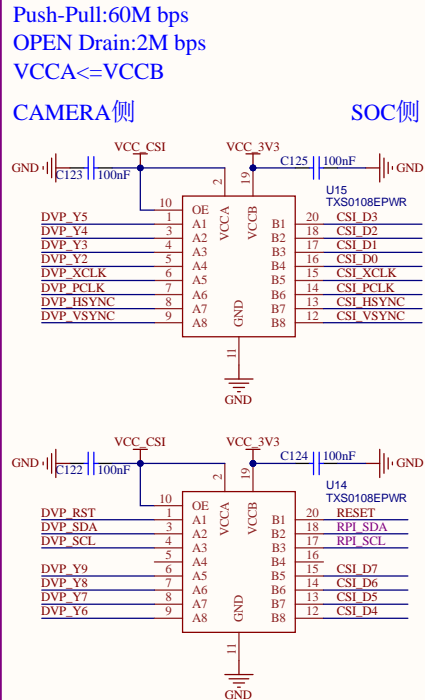
DVP DIO电源



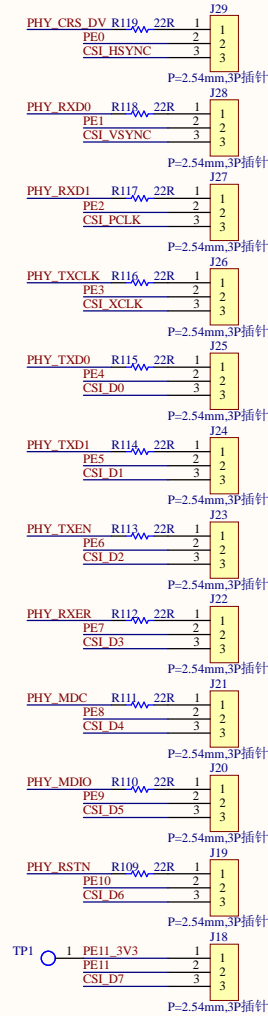
摄像头模块24P FPC



不同CSI接口电平转换

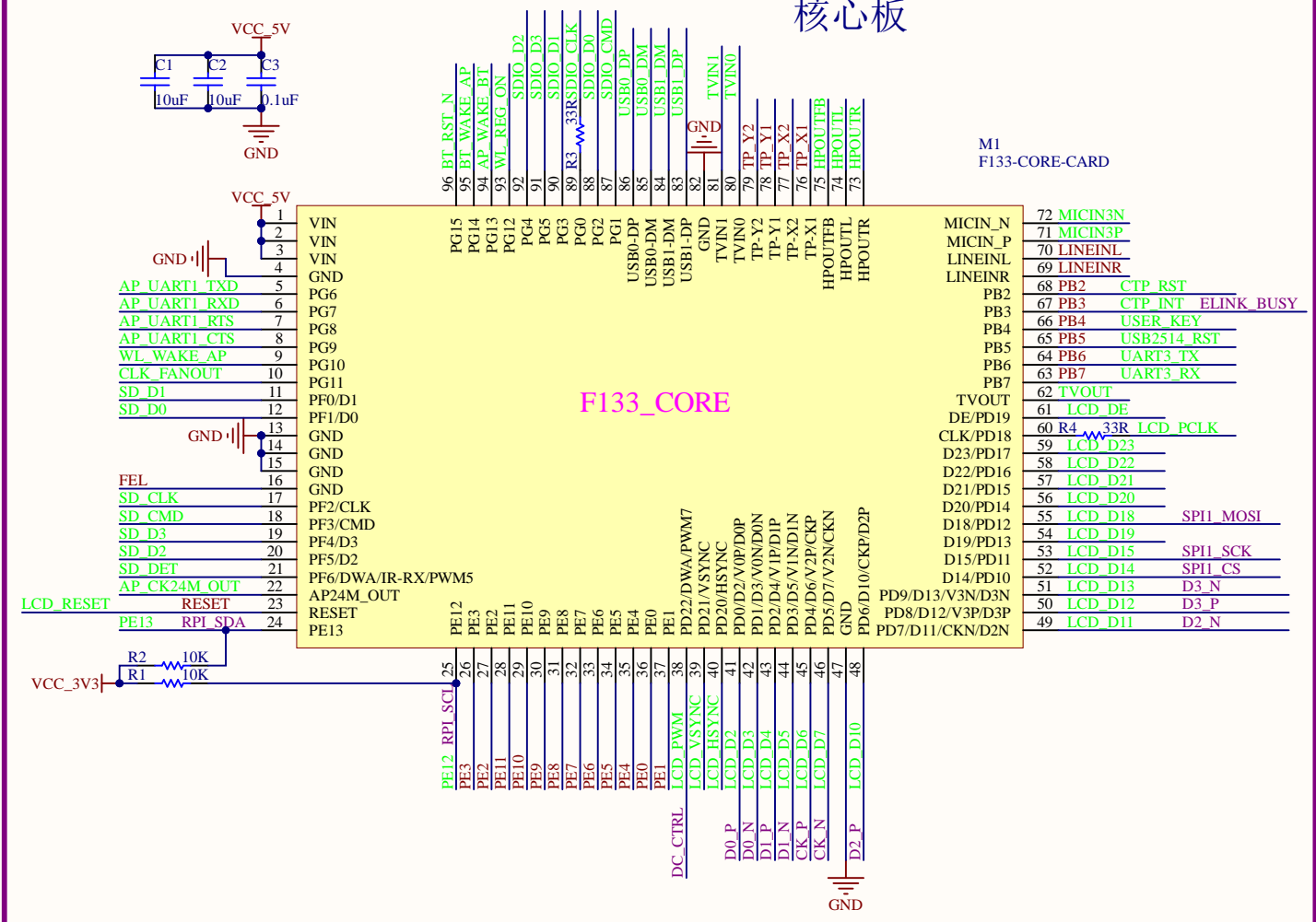


CAMERA接口或者RMII网络接口二选一

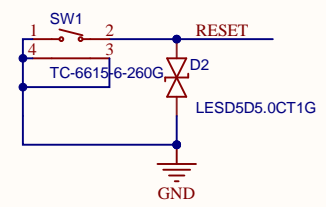


Title		
Size	Number	Revision
A3		
Date:	8/18/2023	Sheet of
File:	H:\100ask-T113&D1s-Pro开发板\CSL	DW@RIBACE.SchDoc

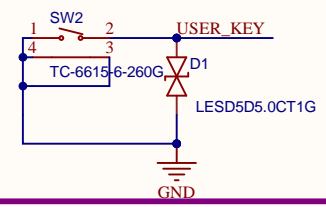
# 核心板



## RESET



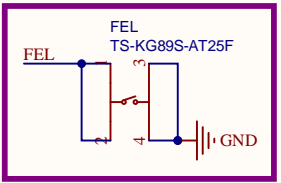
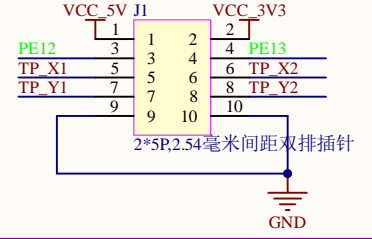
## USER KEY



## 音频扩展接口

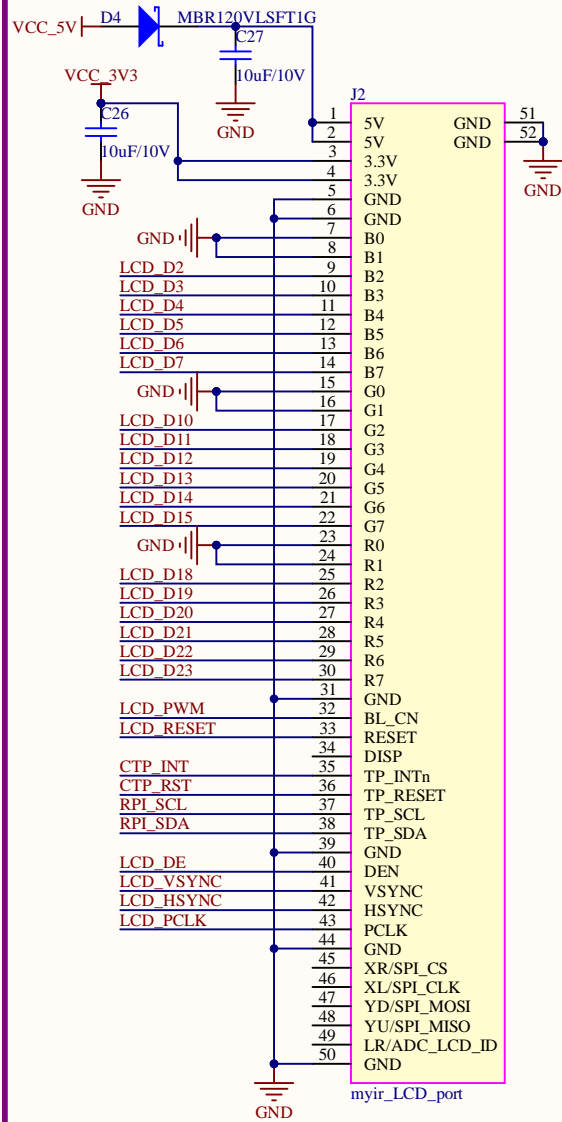


## 扩展接口

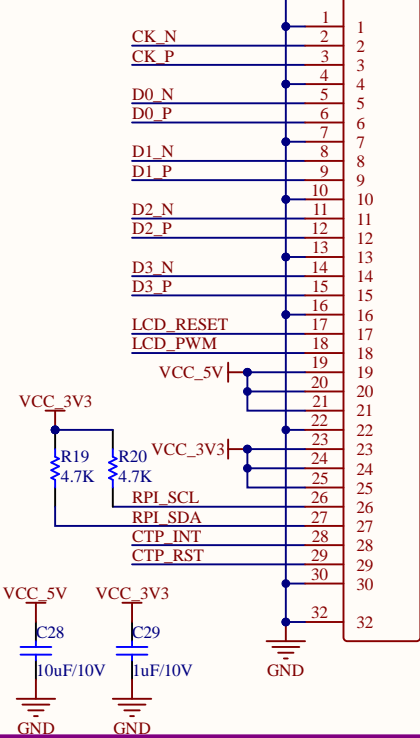


Title		
Size	Number	Revision
A4		
Date:	8/18/2023	Sheet of
File:	H:\100ask-T113&D1s-Pro开发板\F133_CORE_BOARD_INTERFACE.SchDoc	

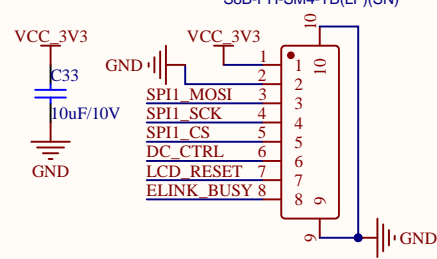
### RGB LCD INTERFACE



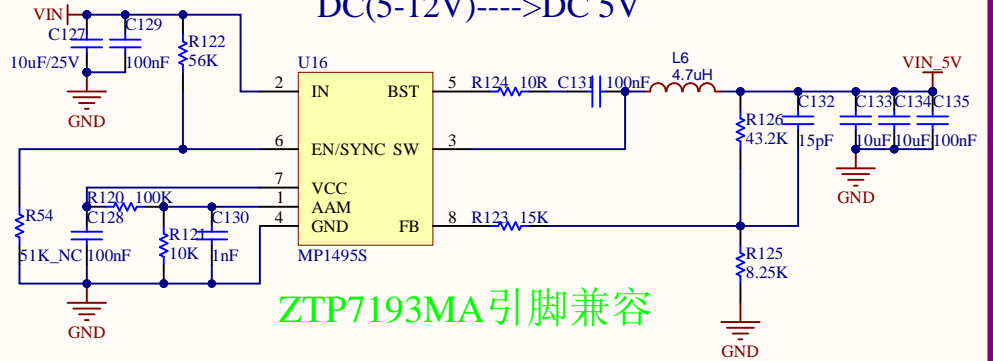
### DSI



### ELINK墨水屏

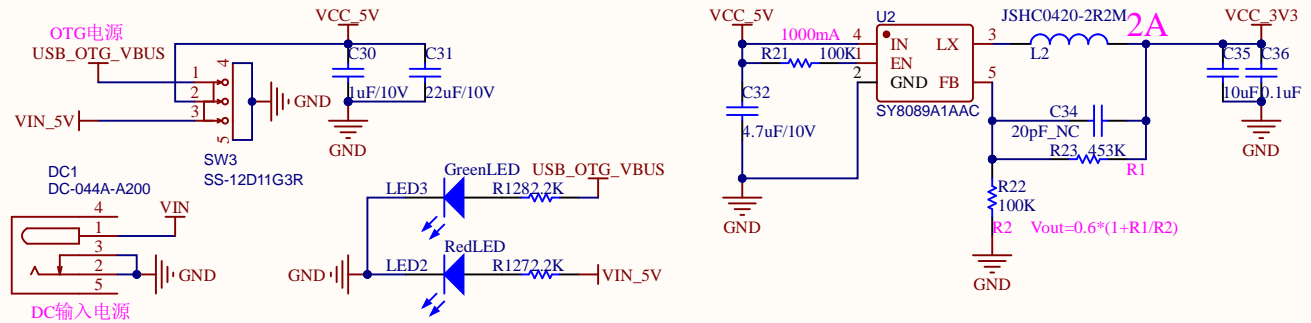


### DC(5-12V)---->DC 5V

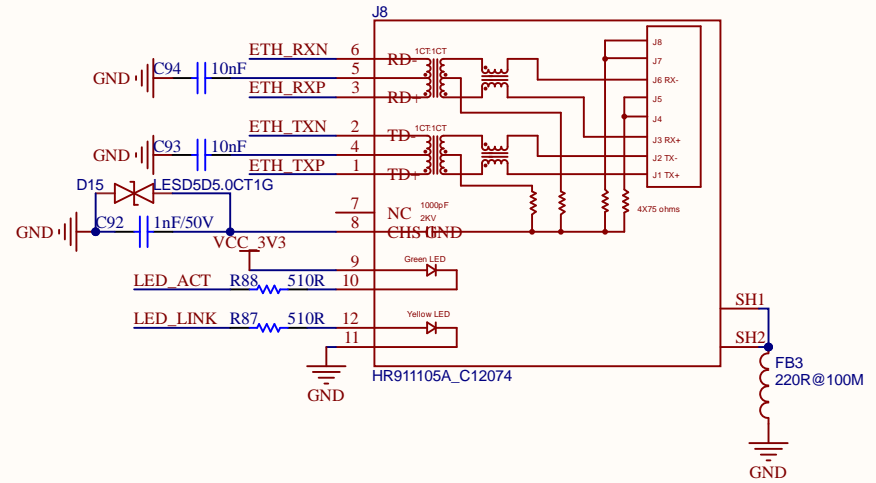
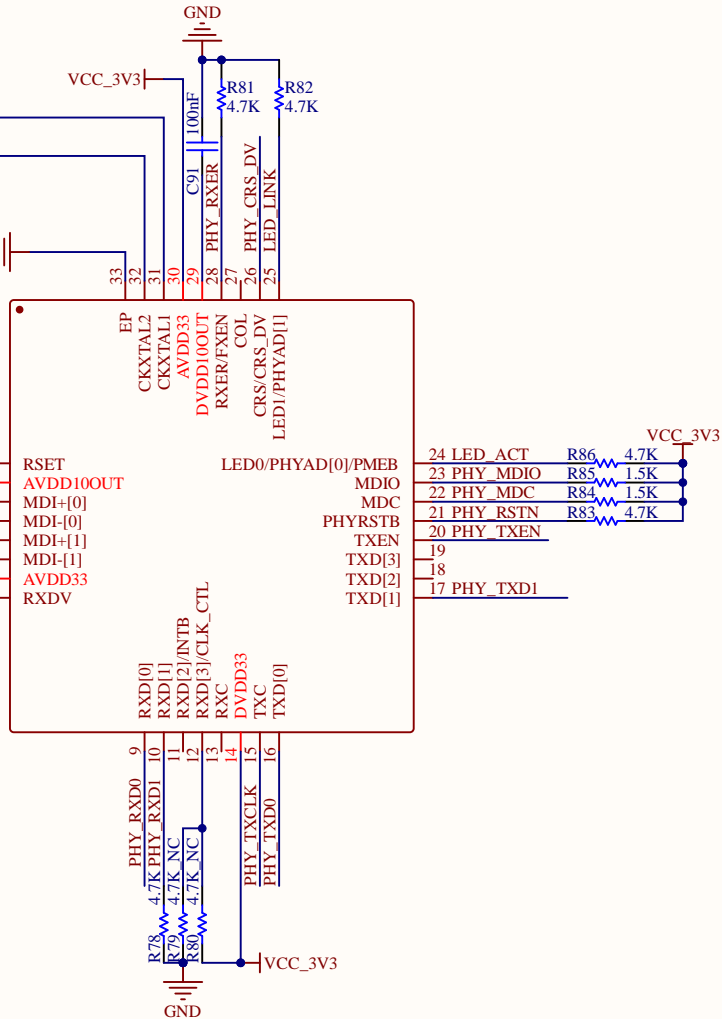
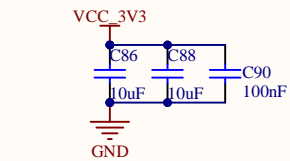
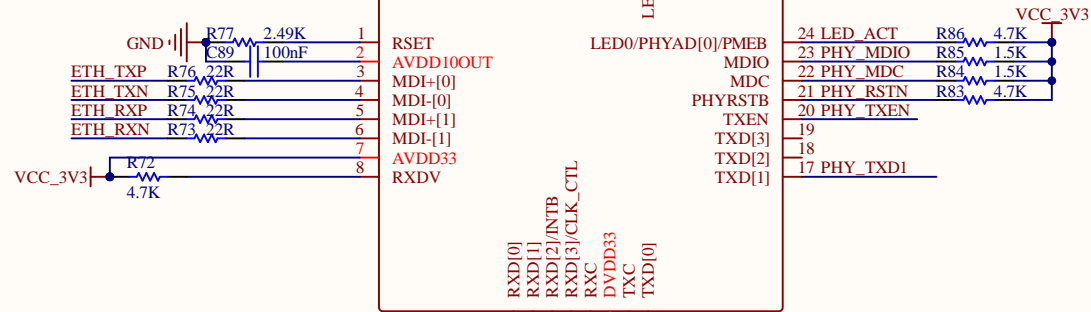
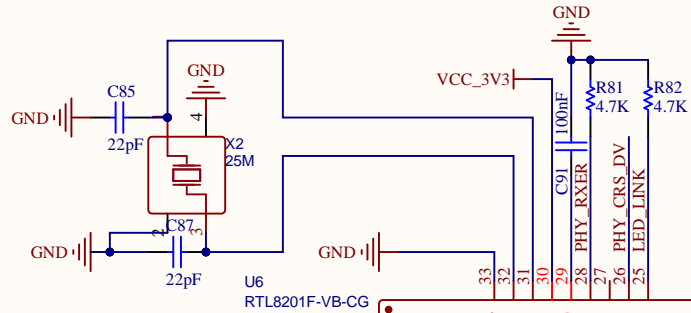


ZTP7193MA引脚兼容

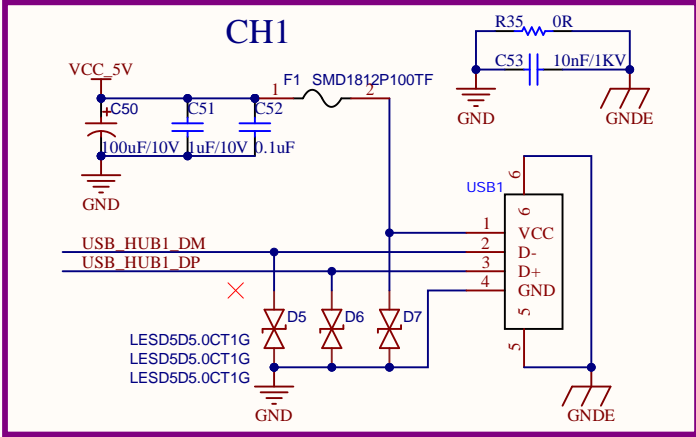
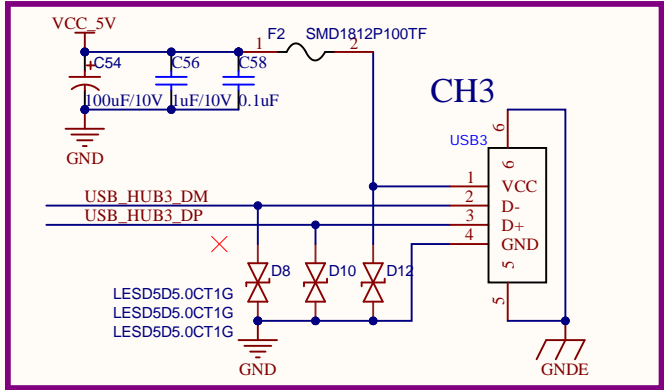
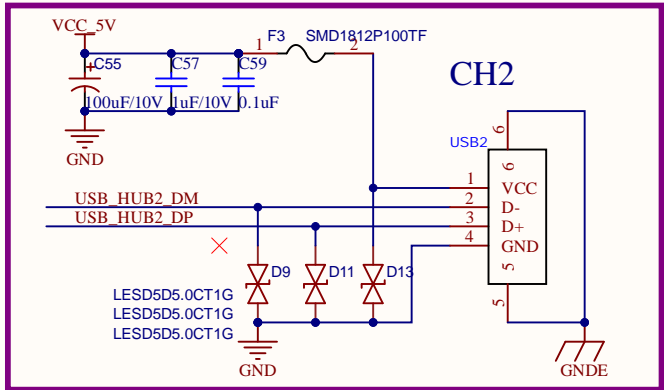
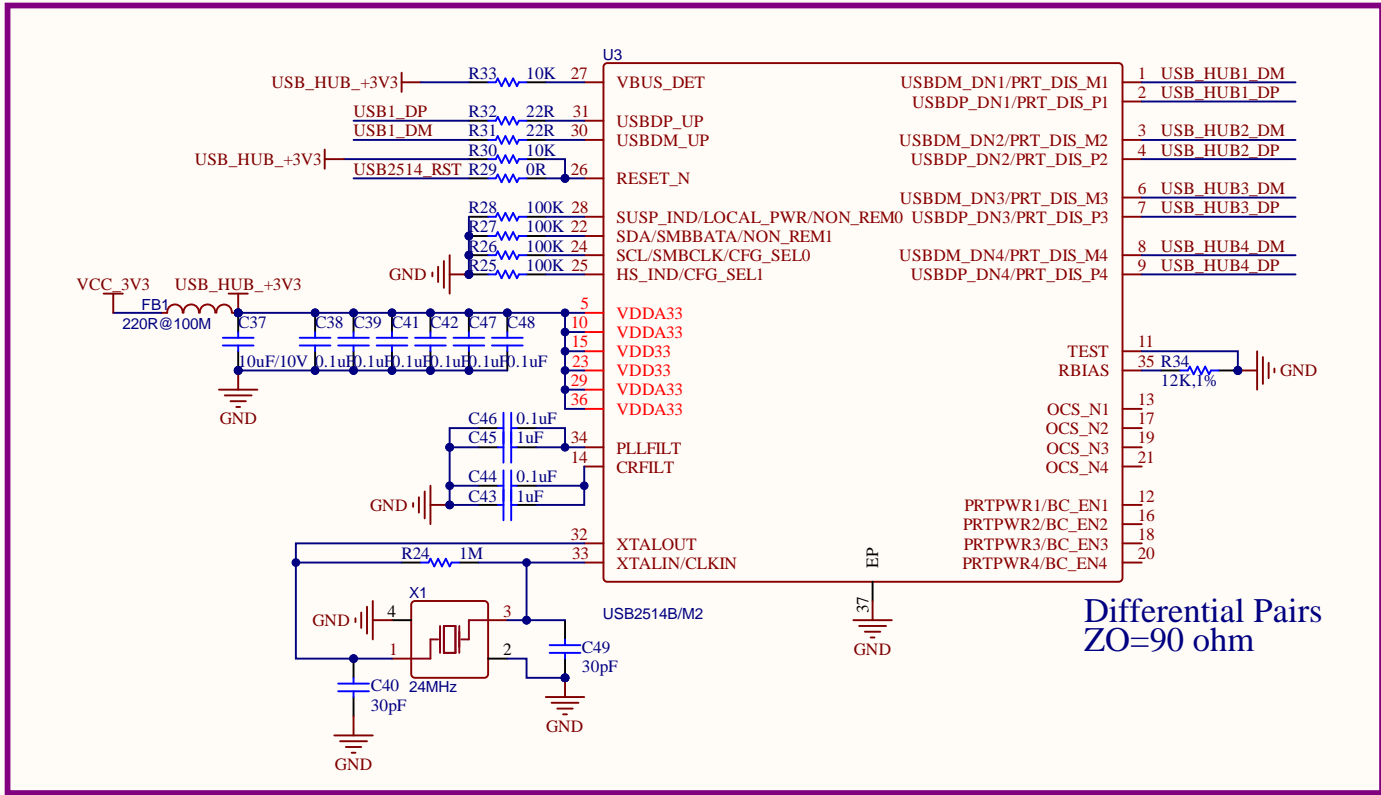
### PWR



Title		
Size	Number	Revision
A4		
Date:	8/18/2023	Sheet of
File:	H:\100ask-T113&D1s-Pro开发板\LCD驱动DSI&ELINK&PWR.SchDoc	

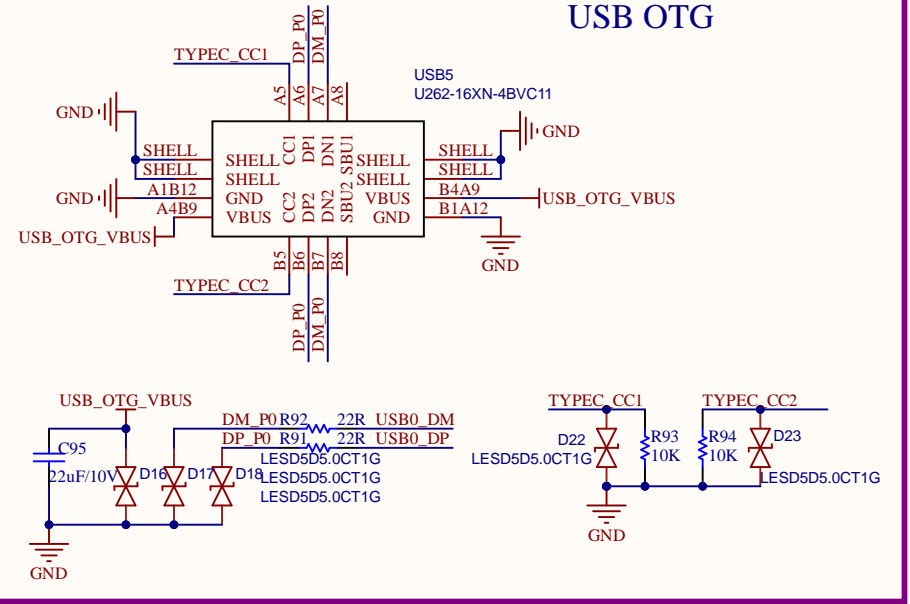


Title		
Size	Number	Revision
A4		
Date:	8/18/2023	Sheet of
File:	H:\100ask-T113&D1s-Pro开发板\RTL8201F-VB-CG	Doc

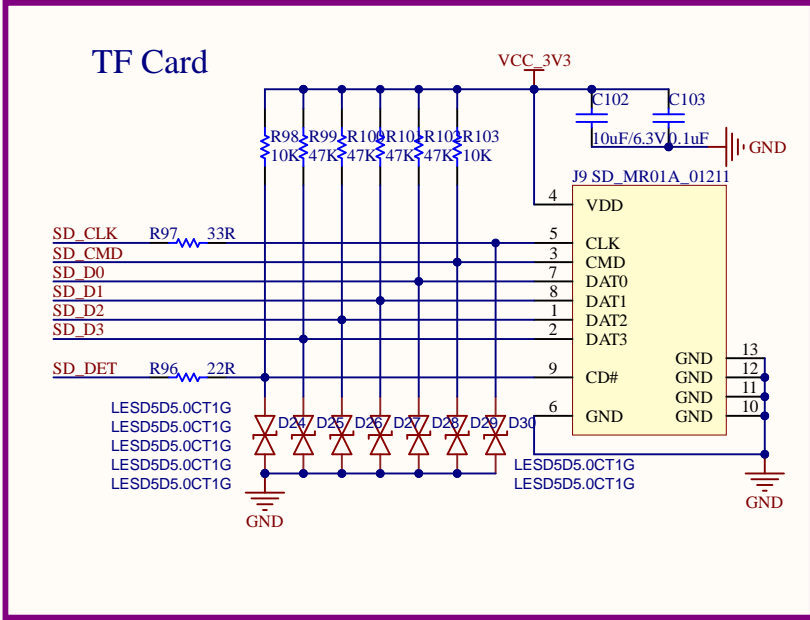


Title		
Size	Number	Revision
A4		
Date:	8/18/2023	Sheet of
File:	H:\100ask-T113&D1s-Pro开发板\USB Hub Schematic Doc	

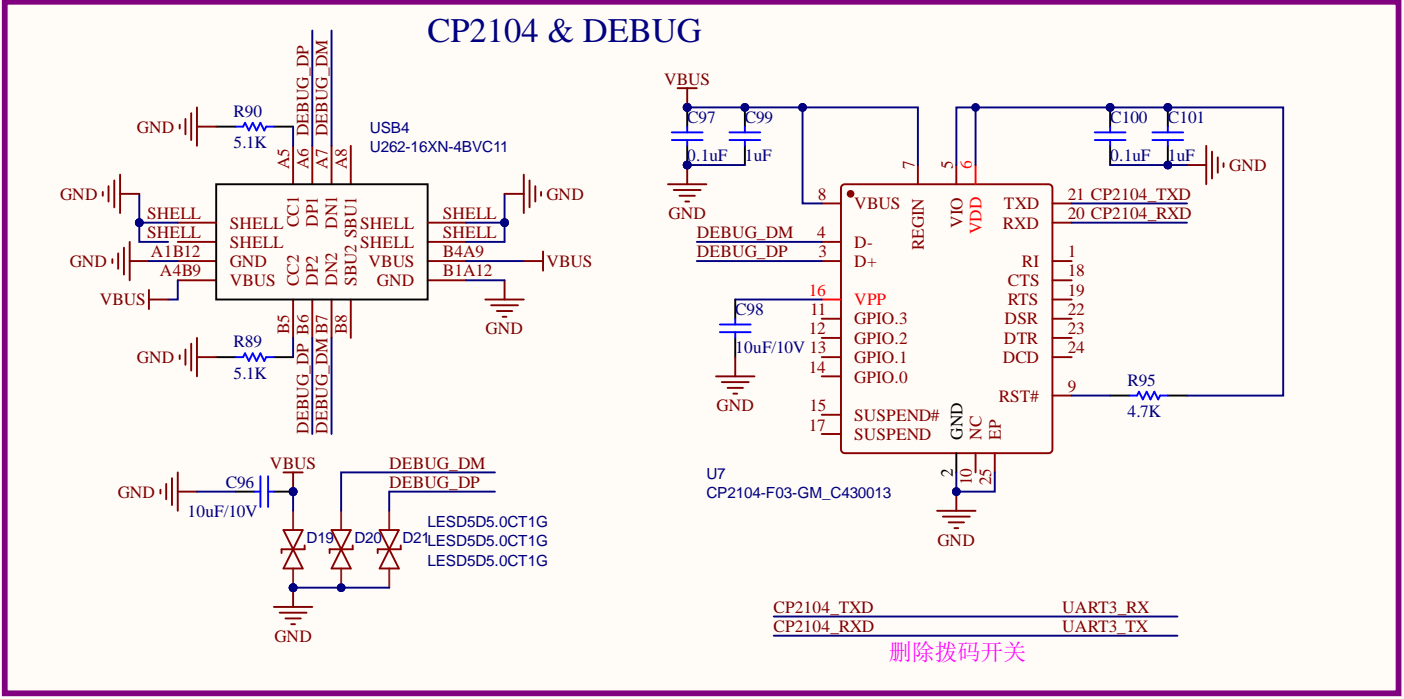
### USB OTG



### TF Card



### CP2104 & DEBUG

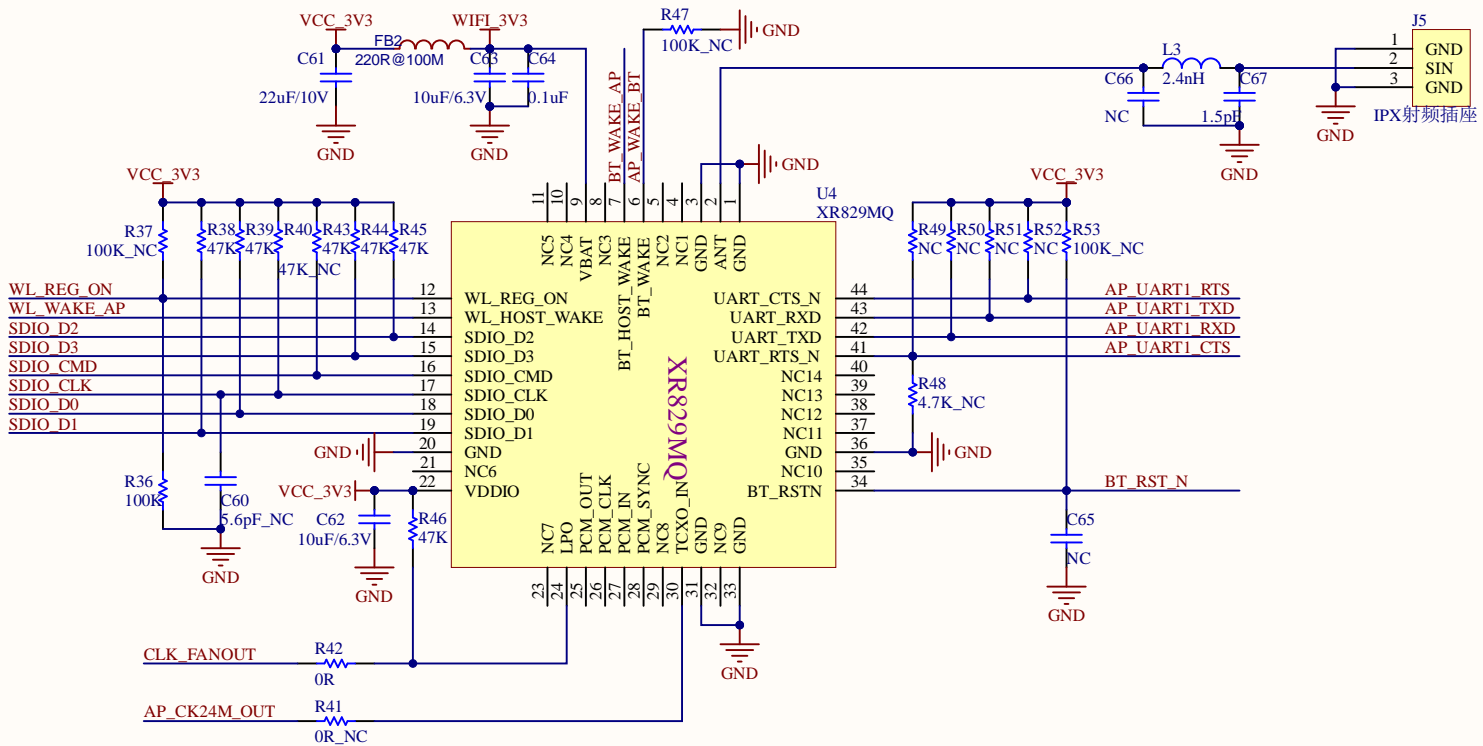


删除拨码开关

CP2104\_TXD                      UART3\_RX  
CP2104\_RXD                      UART3\_TX

Title		
Size	Number	Revision
A4		
Date:	8/18/2023	Sheet of
File:	H:\100ask-T113&D1s-Pro开发板\USB_OTG&DEBUG&TF.SchDoc	





Title		
Size	Number	Revision
A4		
Date:	8/18/2023	Sheet of
File:	H:\100ask-T113&D1s-Pro开发板\WIFI\XR829MQ.SchDoc	