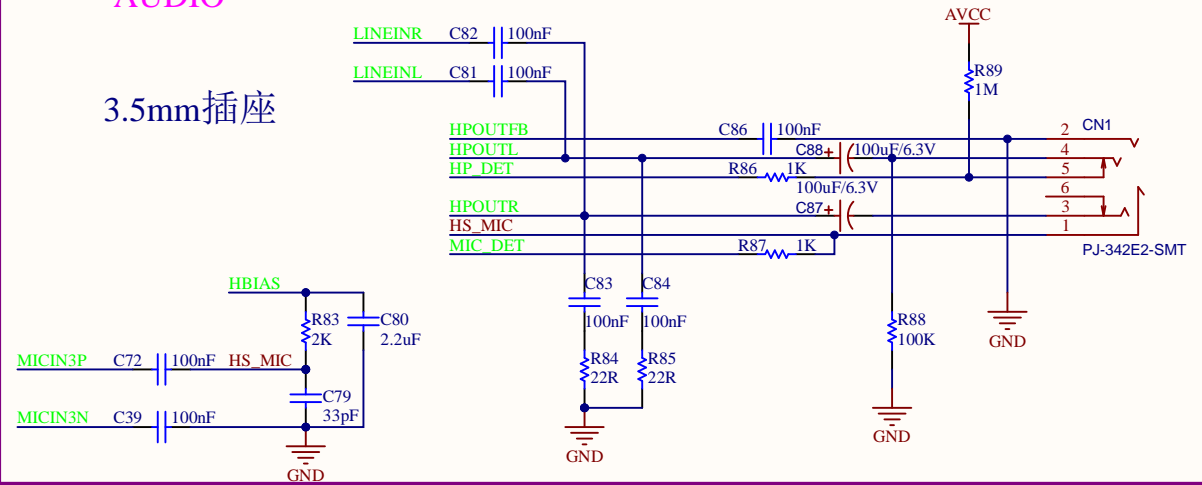
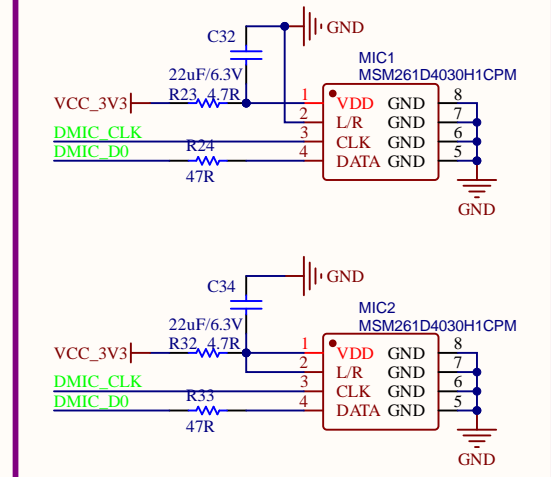


AUDIO

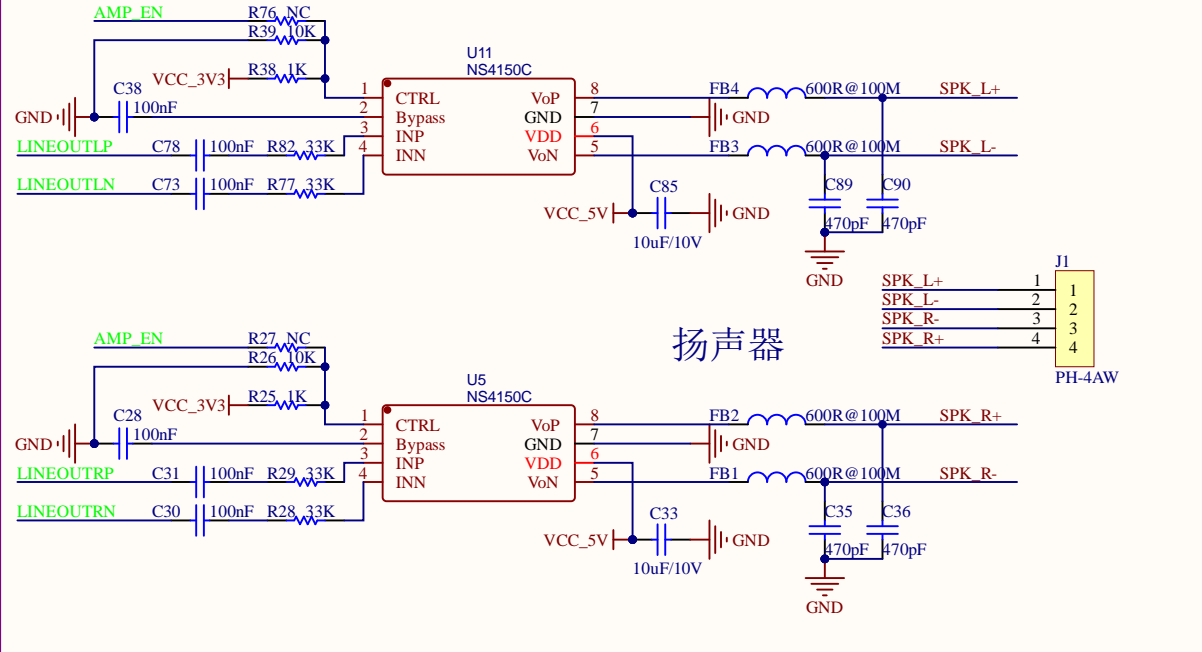
3.5mm插座



敏芯微硅麦克风

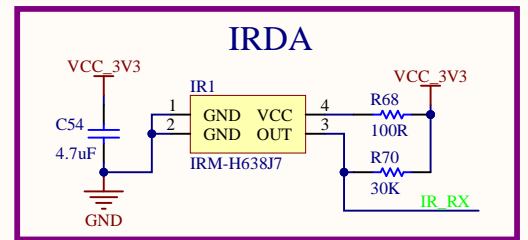
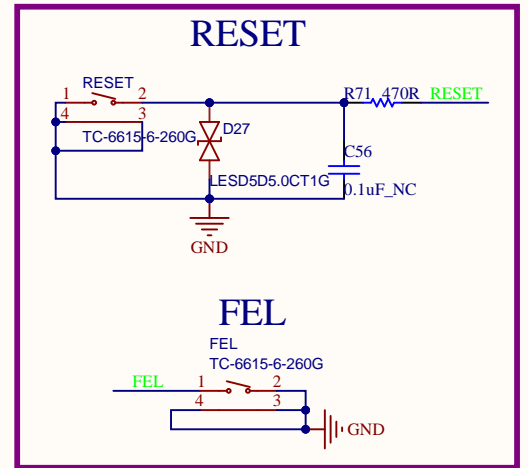
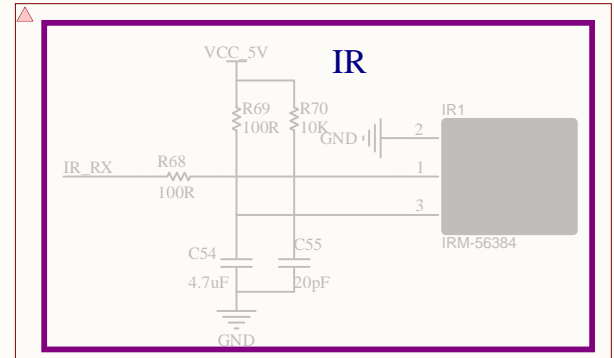
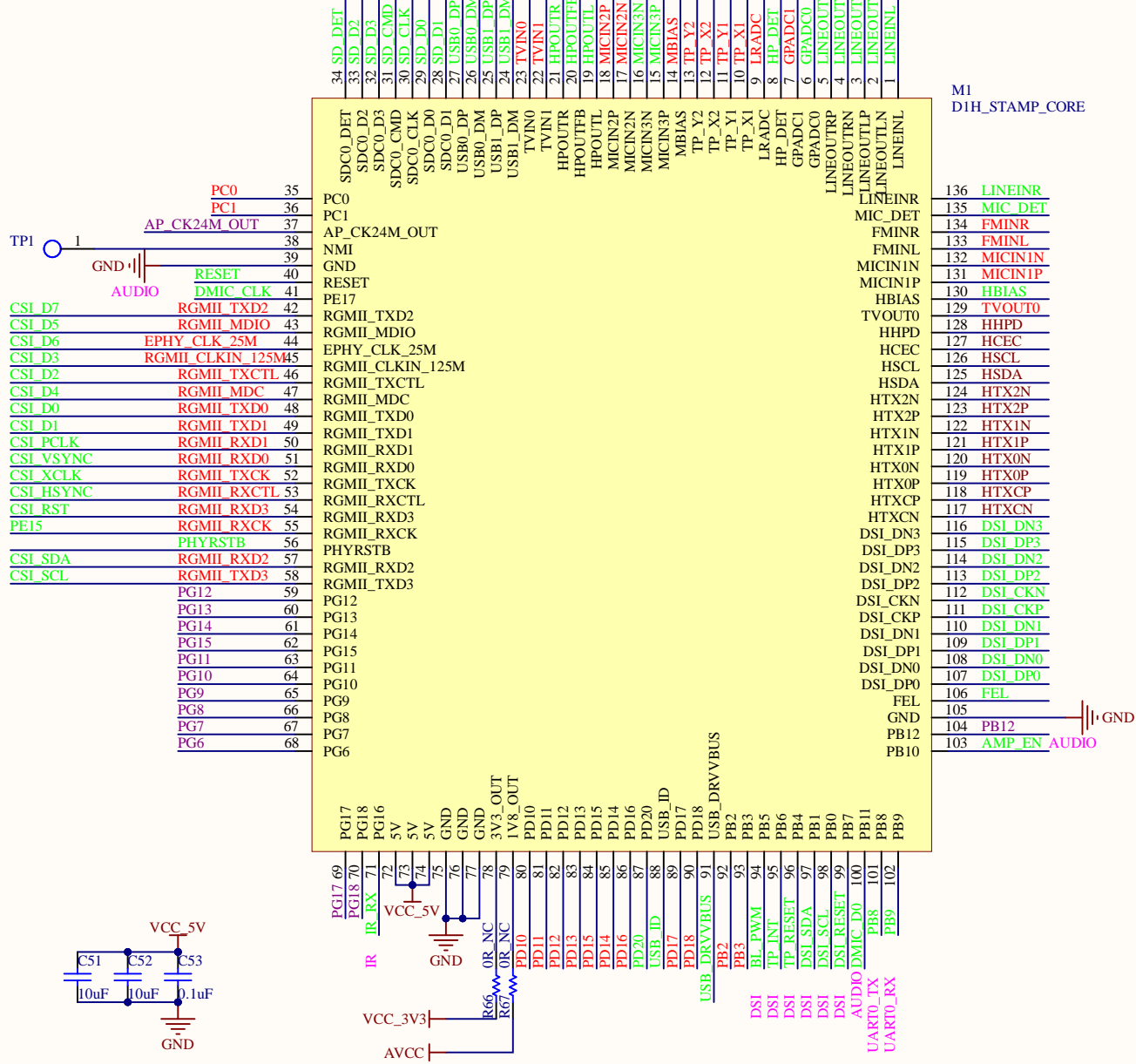


扬声器



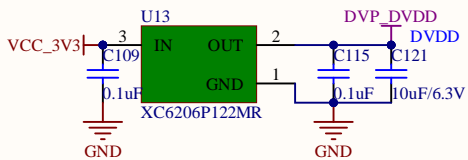
Title		
Size	Number	Revision
A4		
Date:	1/23/2024	Sheet of
File:	D:\2023-11-13_专板专课D1-H双屏异显	4/4

核心板

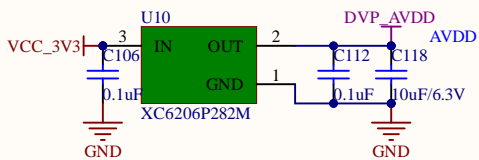


Title		
Size	Number	Revision
A4		
Date:	1/23/2024	Sheet of
File:	D:\2023-11-13_专板专课D1-H双屏异显	D1H_STAMP_CORE_INTERFACE.SchDoc

DVDD电源



DVP AVDD电源

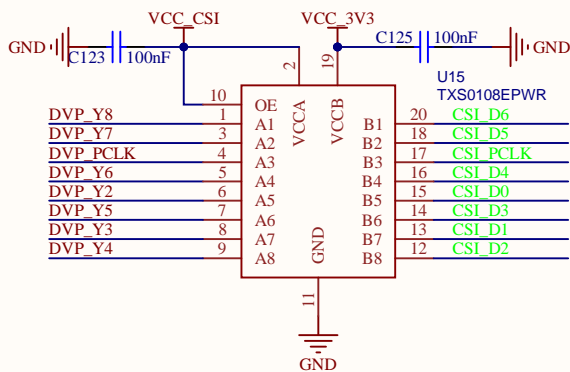


不同CSI接口电平转换

Push-Pull:60M bps
 OPEN Drain:2M bps
 VCCA<=VCCB

CAMERA侧

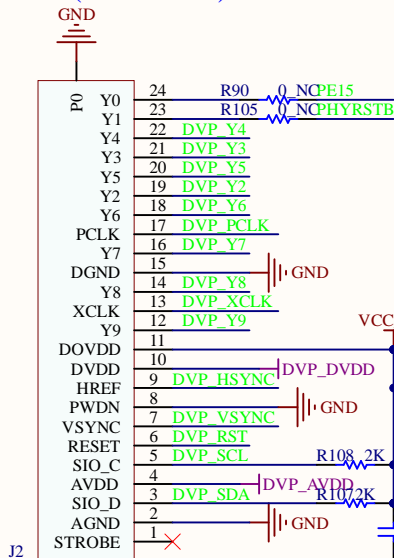
SOC侧



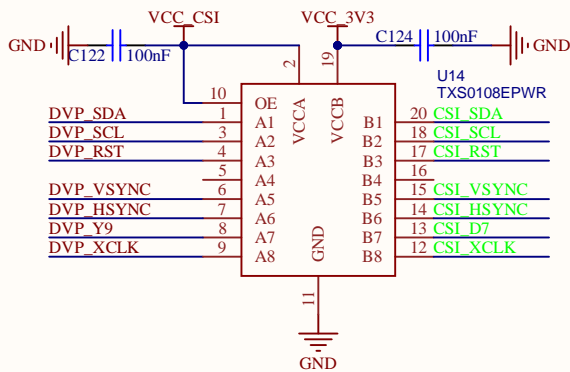
DVP_Y8	R110	0	NC	CSI_D6
DVP_Y7	R109	0	NC	CSI_D5
DVP_PCLK	R106	0	NC	CSI_PCLK
DVP_Y6	R104	0	NC	CSI_D4
DVP_Y2	R103	0	NC	CSI_D0
DVP_Y5	R102	0	NC	CSI_D3
DVP_Y3	R101	0	NC	CSI_D1
DVP_Y4	R100	0	NC	CSI_D2

DVP(with TWI2)/RMII/RGMII

RGMII时会把PE12,PE13的TWI2占用
 DVP模式: 占用PE0-PE14
 RMII模式: 占用PE0-PE10
 RGMII模式: 占用PE0-PE15,外加一个RST控制IO
 所以, DVP模式时PE12,PE13(TWI2)为专用IO



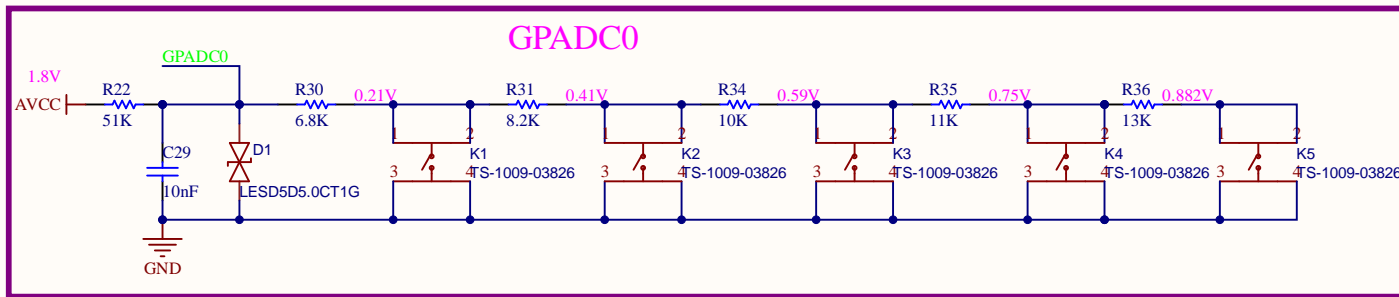
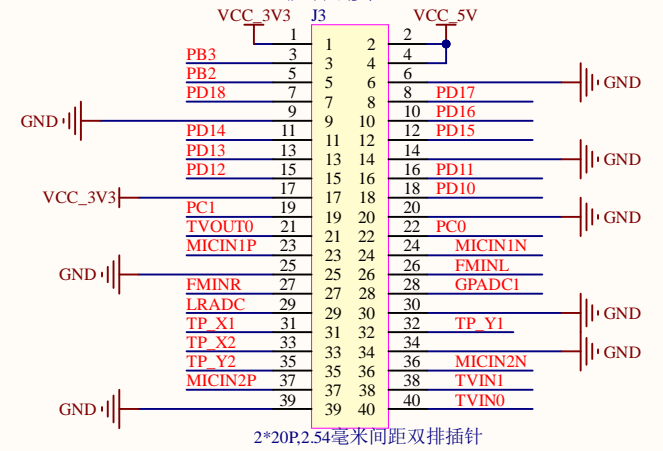
	AVDD	DVDD	DIOVDD
OV2640	2.8V	1.2V	1.8/2.8/3.3V
OV5640	2.8V	1.5V	1.8/2.8V
OV7725	3.3V	1.8V	2.8/3.3V



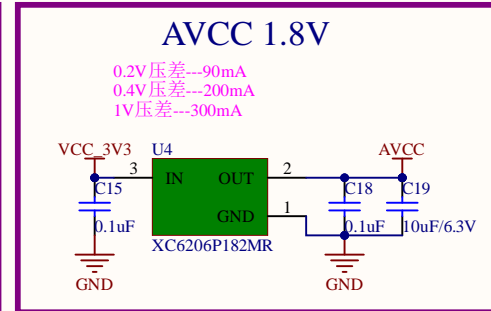
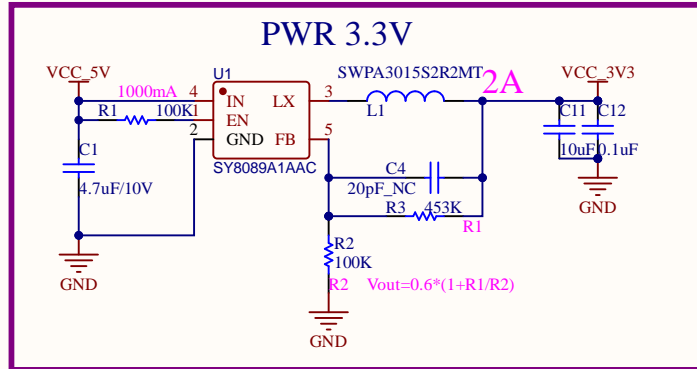
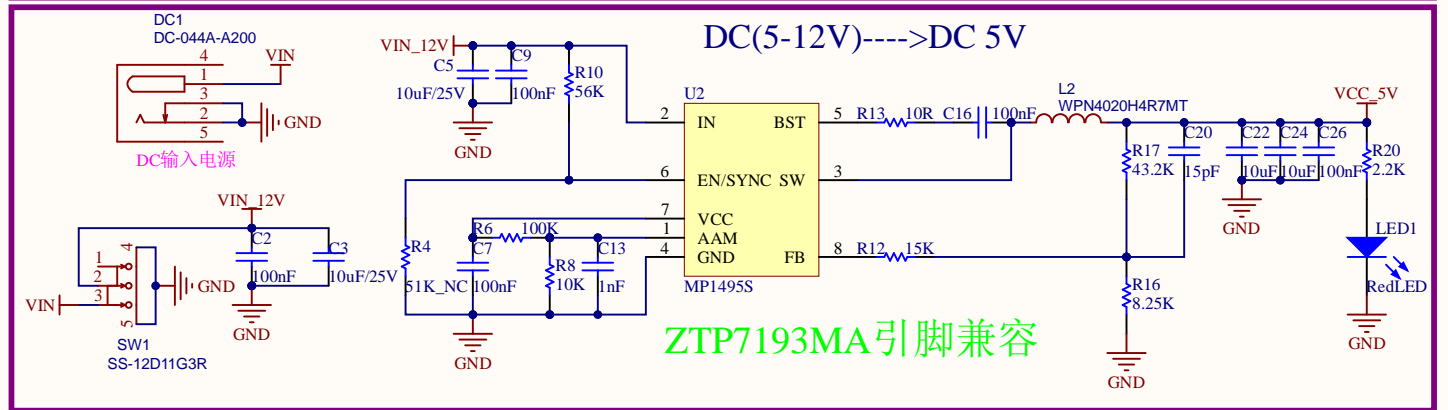
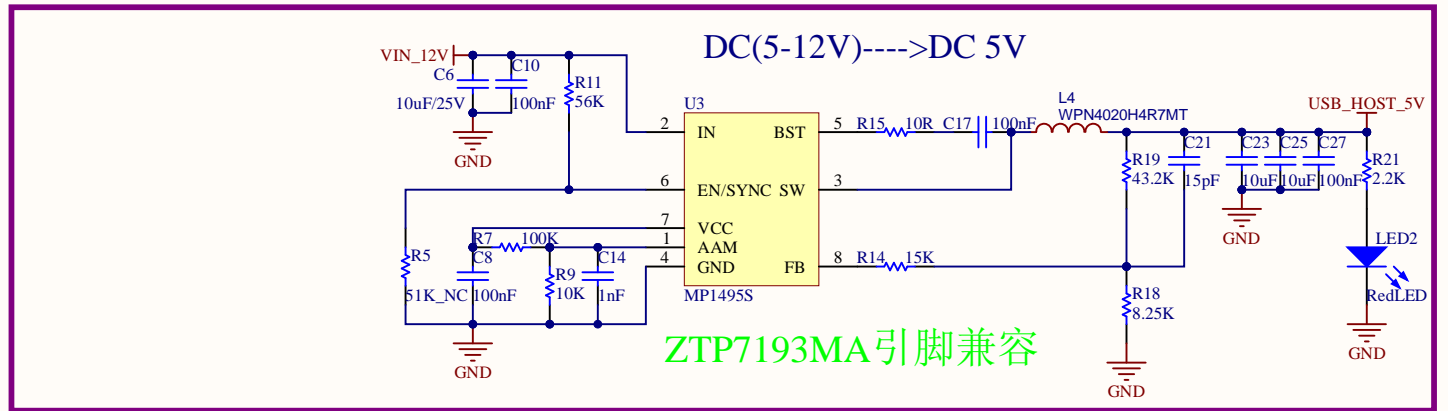
DVP_SDA	R99	0	NC	CSI_SDA
DVP_SCL	R98	0	NC	CSI_SCL
DVP_RST	R97	0	NC	CSI_RST
DVP_VSYNC	R96	0	NC	CSI_VSYNC
DVP_HSYNC	R95	0	NC	CSI_HSYNC
DVP_Y9	R94	0	NC	CSI_D7
DVP_XCLK	R93	0	NC	CSI_XCLK

Title		
Size	Number	Revision
A4		
Date:	1/23/2024	Sheet of
File:	D:\2023-11-13_专板专课D1-H双屏异显DVP CSI.SchDoc	

扩展接口



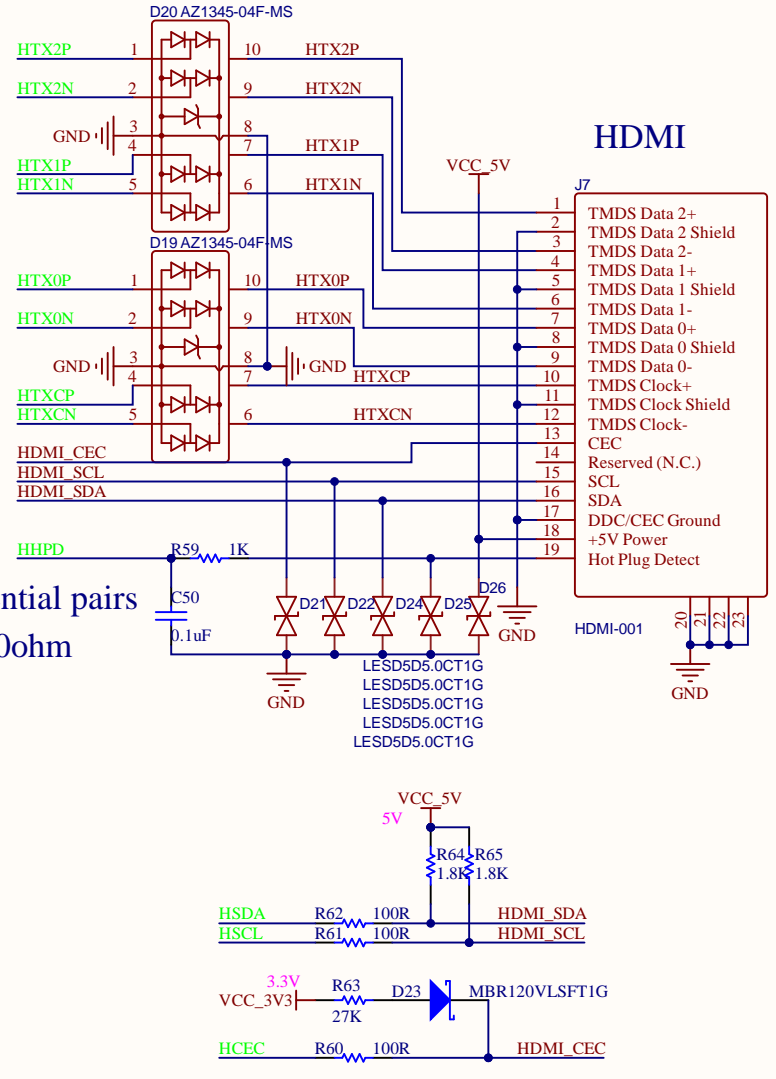
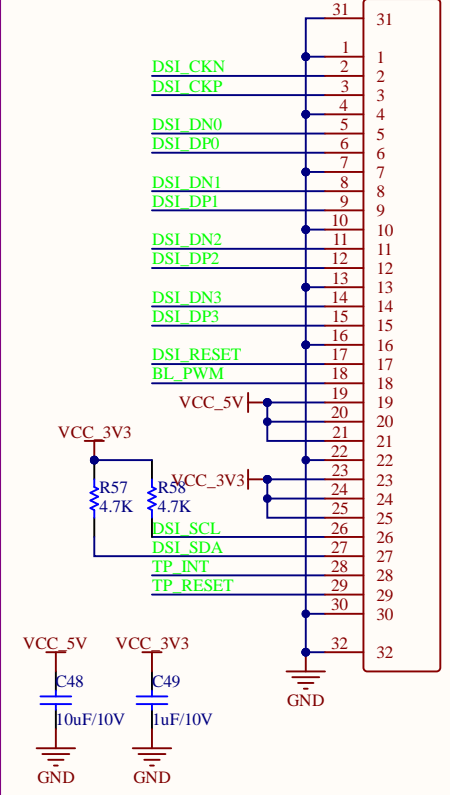
Title		
Size	Number	Revision
A4		
Date:	1/23/2024	Sheet of
File:	D:\2023-11-13_专板专课D1-H双屏异屏D1-H-EXPAND_IO.SchDoc	



Title		
Size	Number	Revision
A4		
Date:	1/23/2024	Sheet of
File:	D:\2023-11-13_专板专课D1-H双屏异屏驱动板GND&PWR.SchDoc	1/1

MIPI DSI

J6 FPC30P,P=0.5mm,前插后翻盖



Differential pairs
Z0=100ohm

Title		
Size	Number	Revision
A4		
Date:	1/23/2024	Sheet of
File:	D:\2023-11-13_专板专课D1-双屏异显\HW\MIPI_DSI&HDMI.SchDoc	

A

A

B

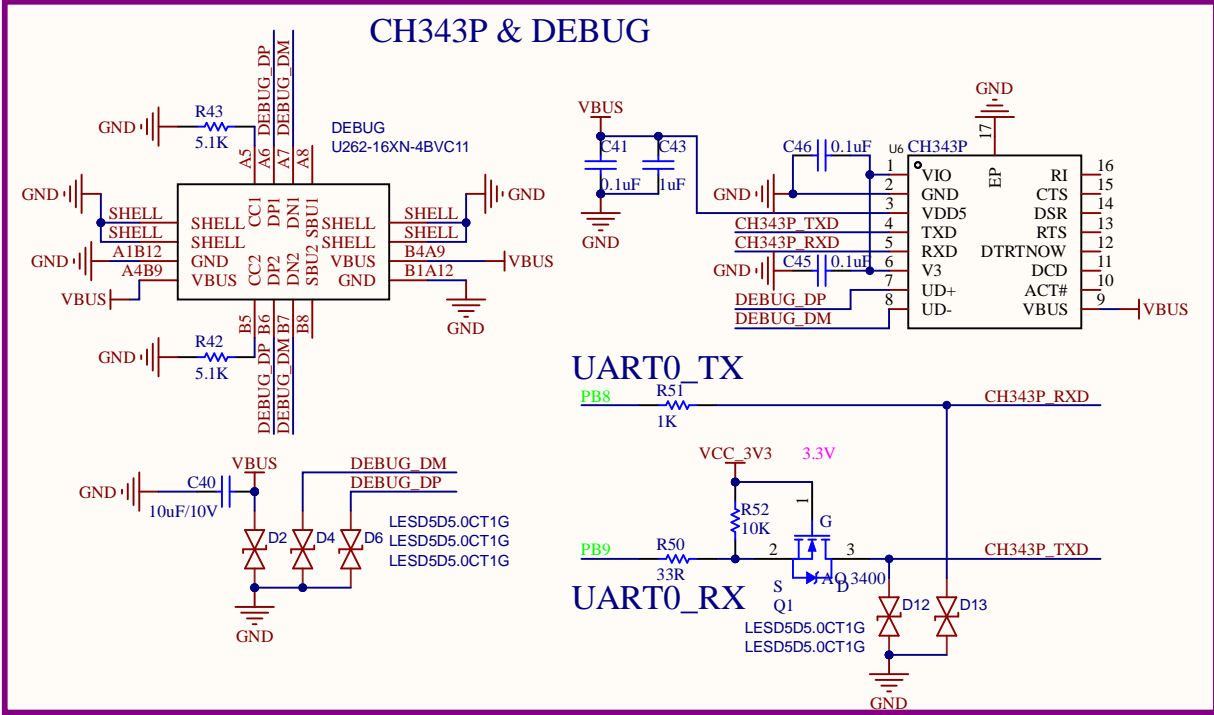
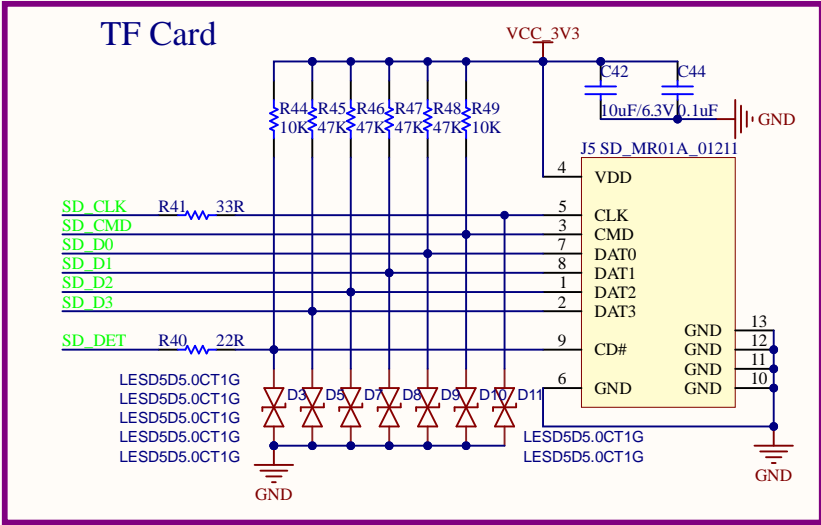
B

C

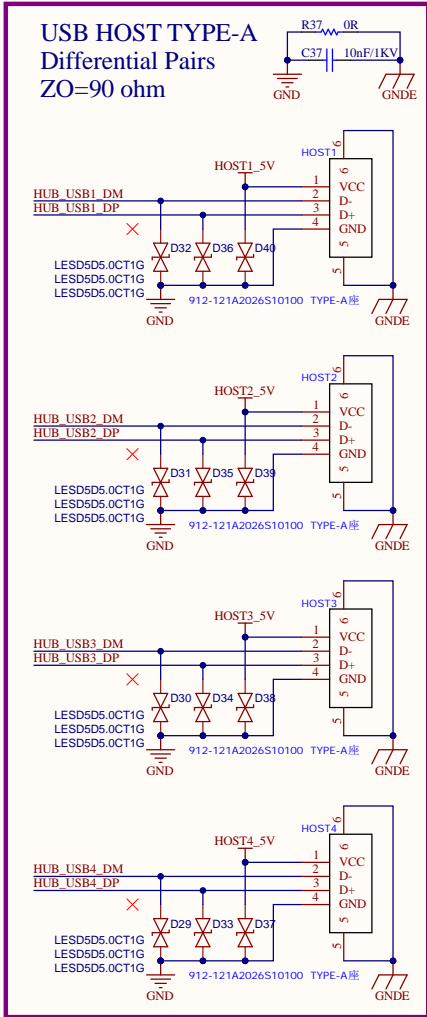
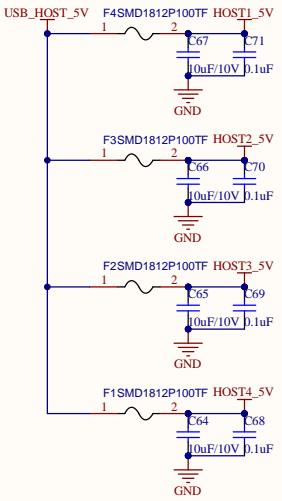
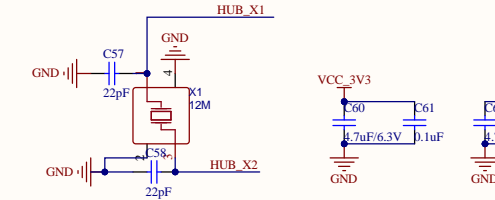
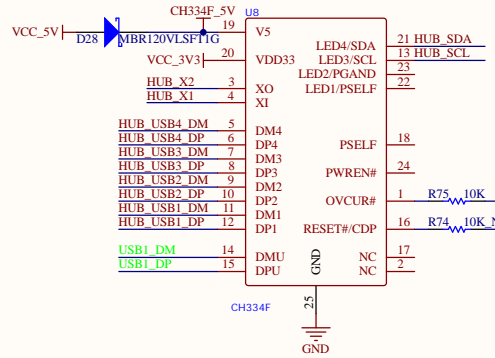
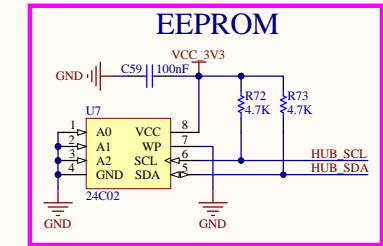
C

D

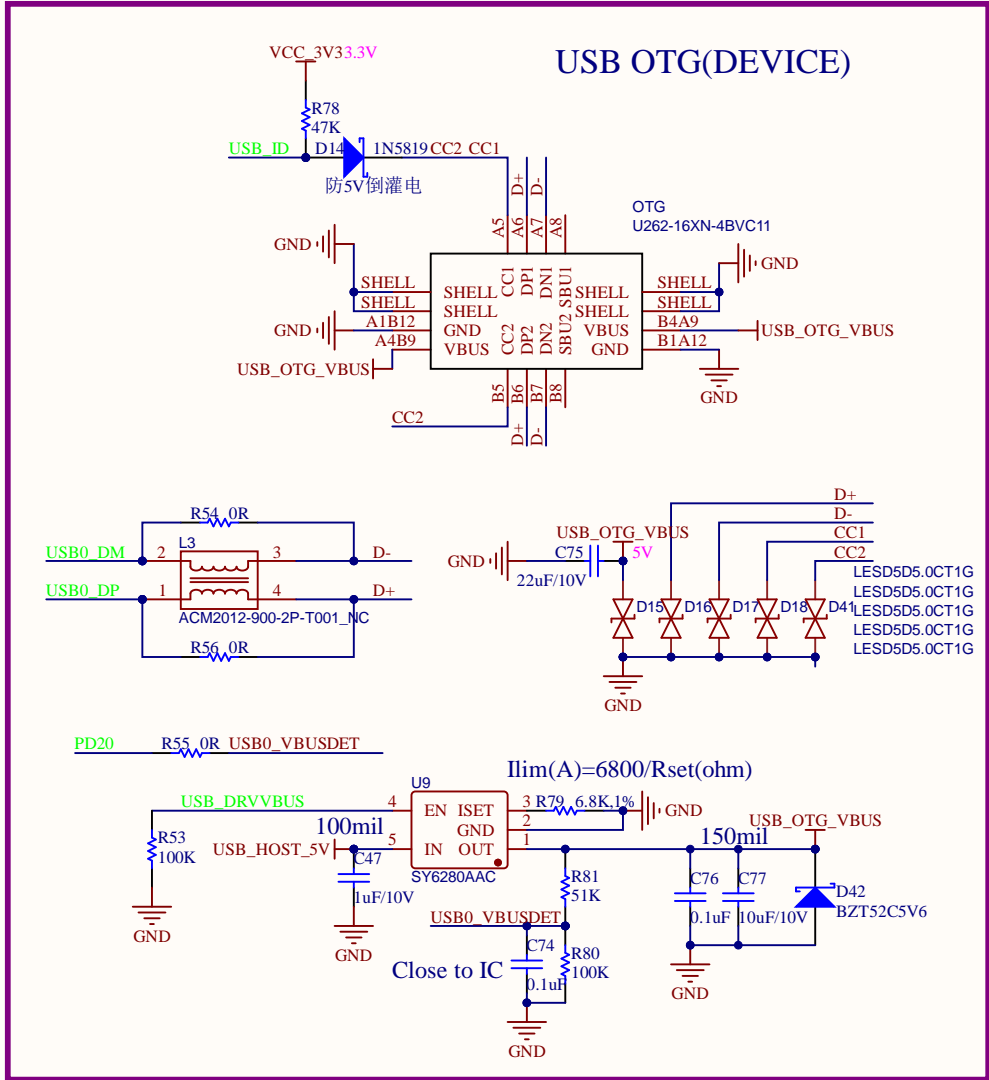
D



Title		
Size	Number	Revision
A4		
Date:	1/23/2024	Sheet of
File:	D:\2023-11-13_专板专课D1-H双屏异显\PCB\DEBUG&TF.SchDoc	



Title		
Size	Number	Revision
A3		
Date:	1/23/2024	Sheet of
File:	D:\2023-11-13_专板专课D1-H双屏异屏\USB_HUB_CH334F.SchDoc	10 of 10



Title		
Size	Number	Revision
A4		
Date:	1/23/2024	
File:	D:\2023-11-13_专板专课D1-H双屏异显驱动板\USB_OTG.SchDoc	