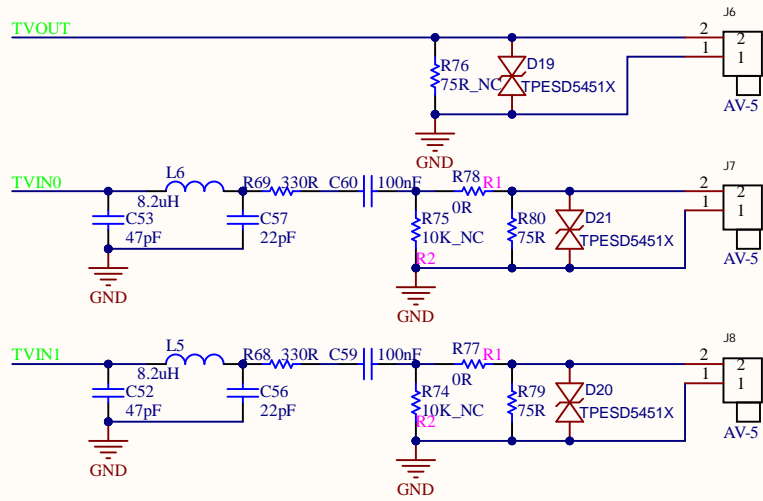
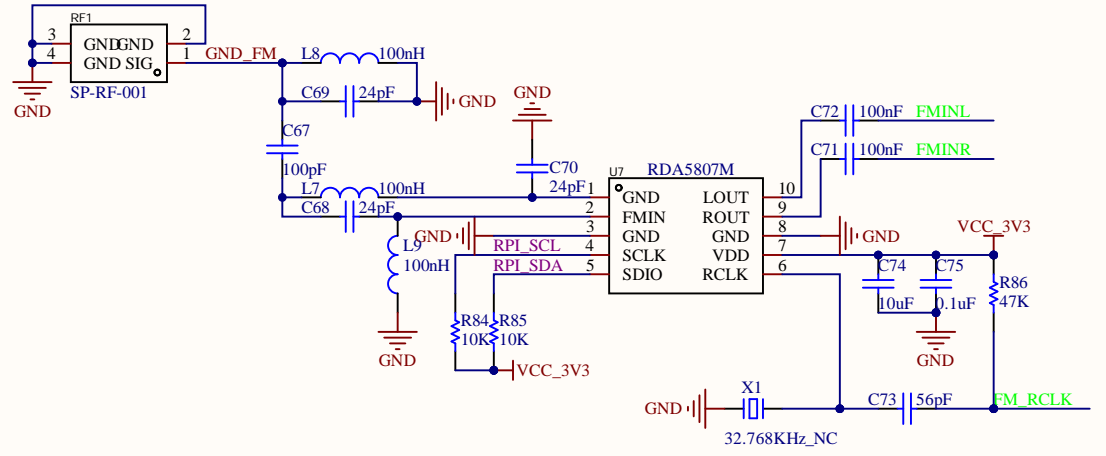


视频输入和输出



When TVIN-Vth>1.8V
R2=10K,R1=4.7K
When TVIN-Vth<=1.8V
R2=NC,R1=0R

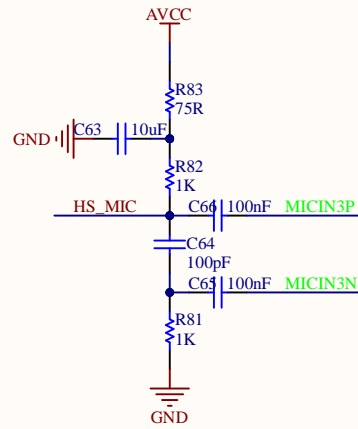
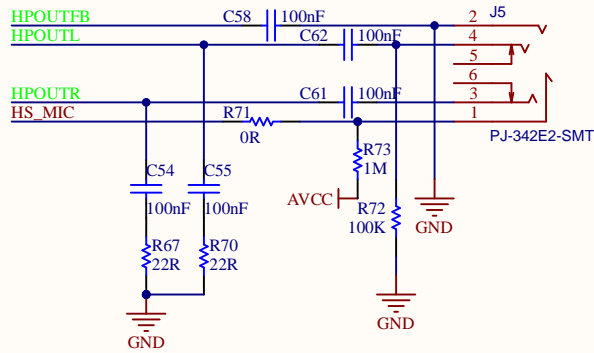
FM收音机输入



32.768K时钟或者PE8(FM_RCLK)任选其中一个通路

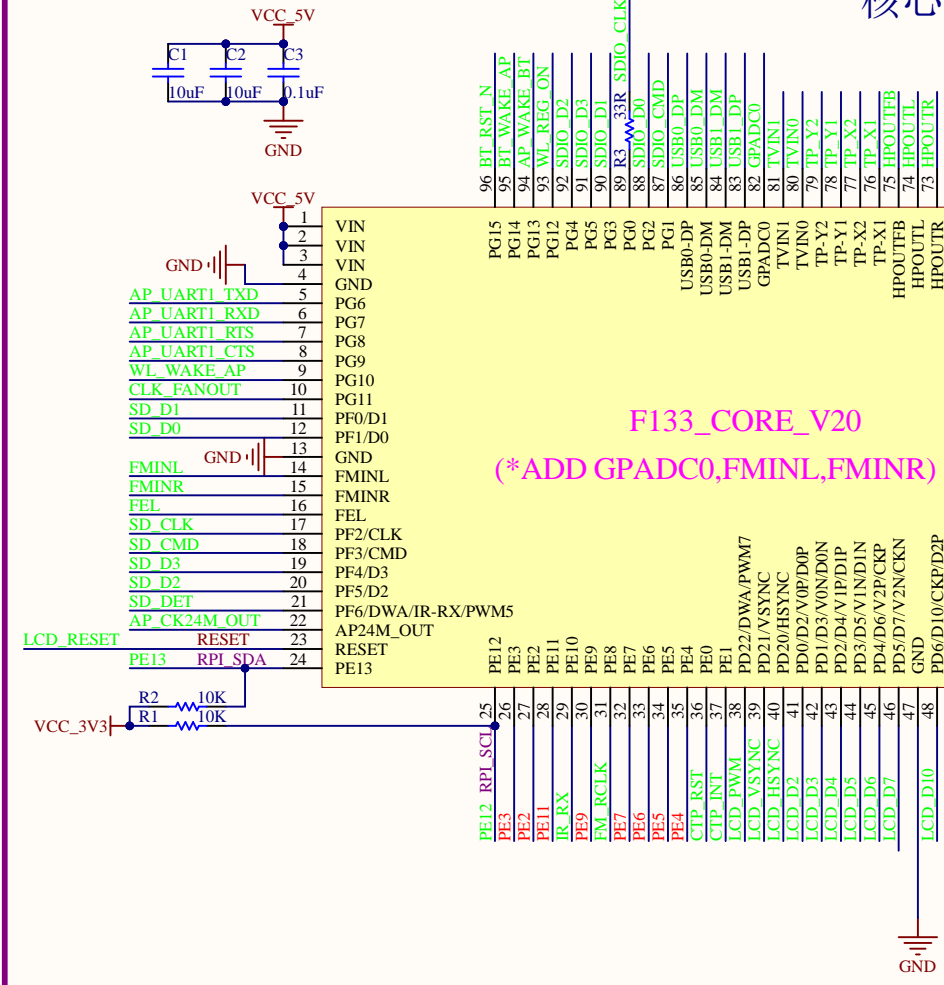
AUDIO

3.5mm插座（可通过电阻选择是否有MIC）

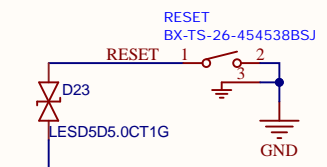


Title		
Size	Number	Revision
A4		
Date:	1/23/2024	Sheet of
File:	D:\2023-12-12_专板专课-D1s_CVBS流媒体板	AUDIO&VIDEO.SchDoc

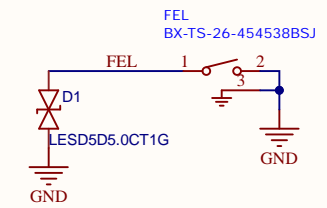
核心板



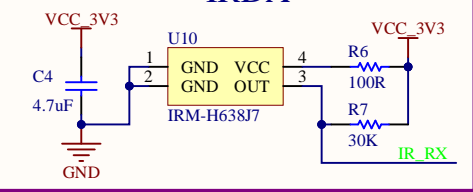
RESET



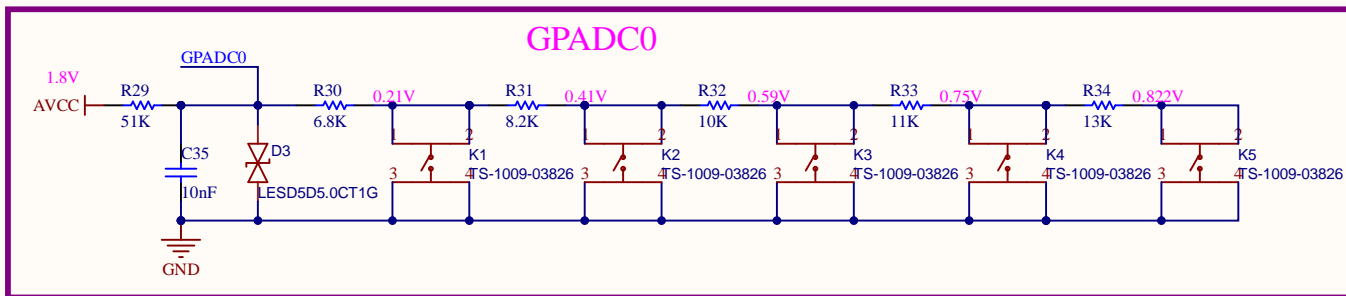
FEL



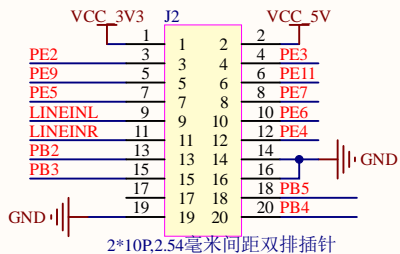
IRDA



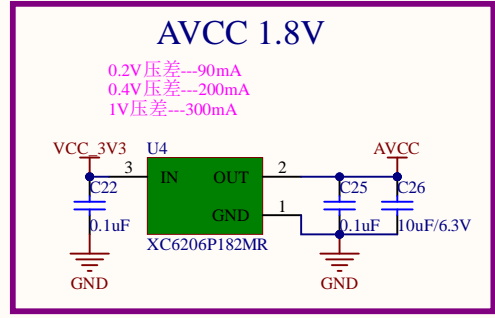
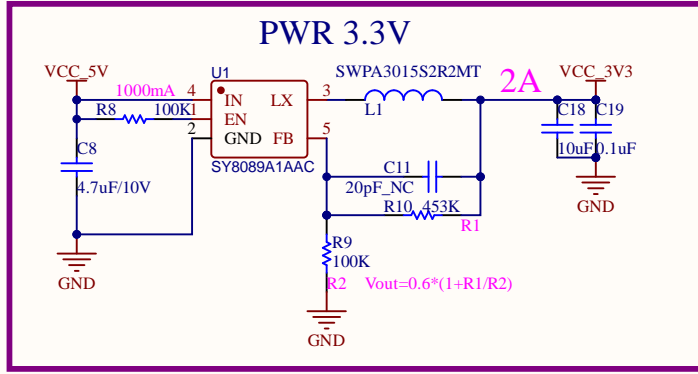
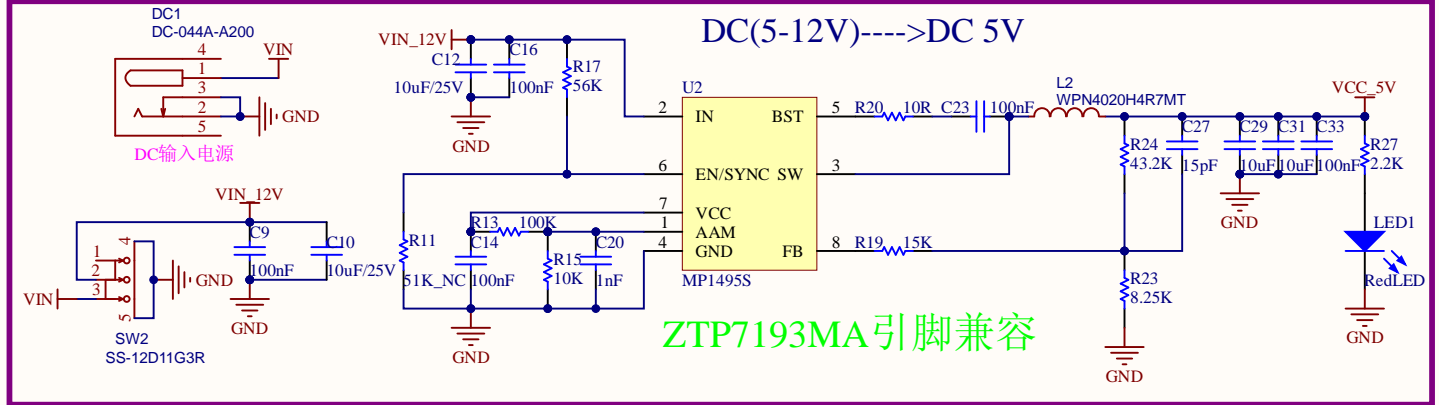
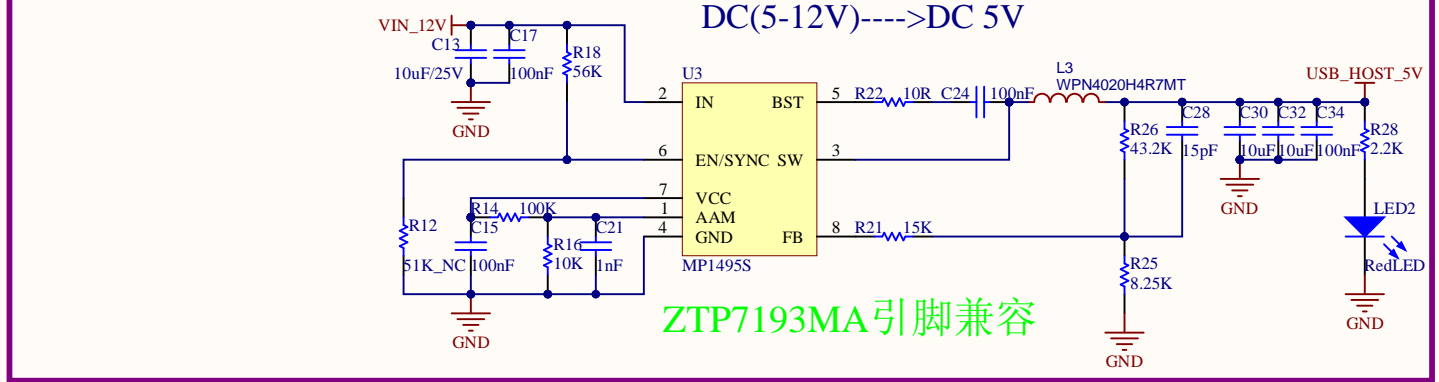
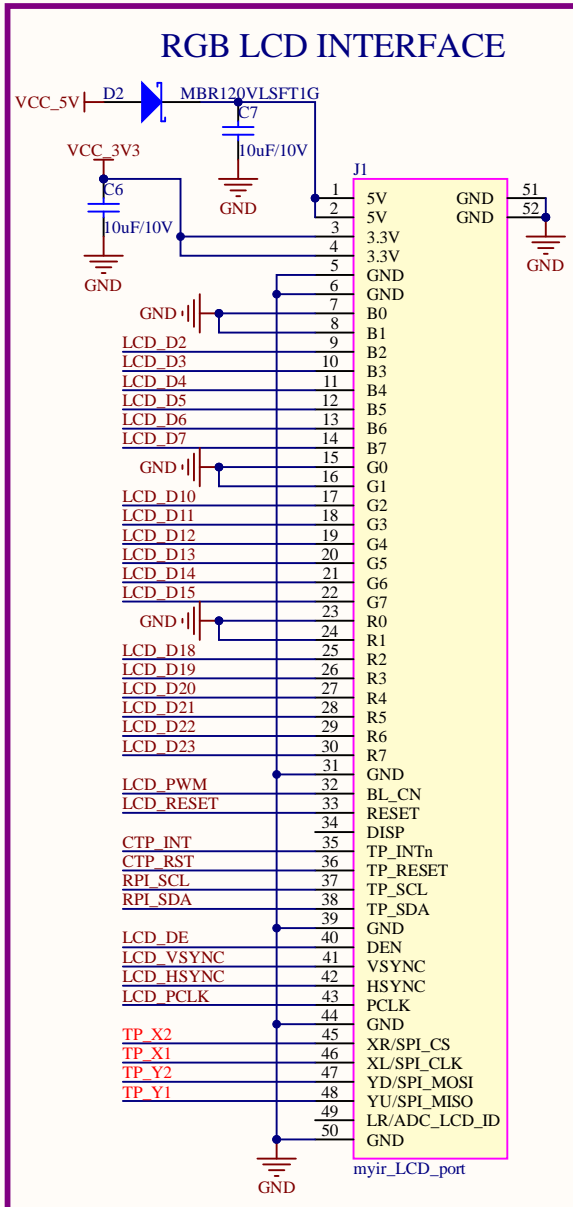
Title		
Size	Number	Revision
A4		
Date:	1/23/2024	Sheet of
File:	D:\2023-12-12_专板专课-D1s_CVBS流媒体板\F133_CORE_INTERFACE.SchDoc	1/1



扩展接口

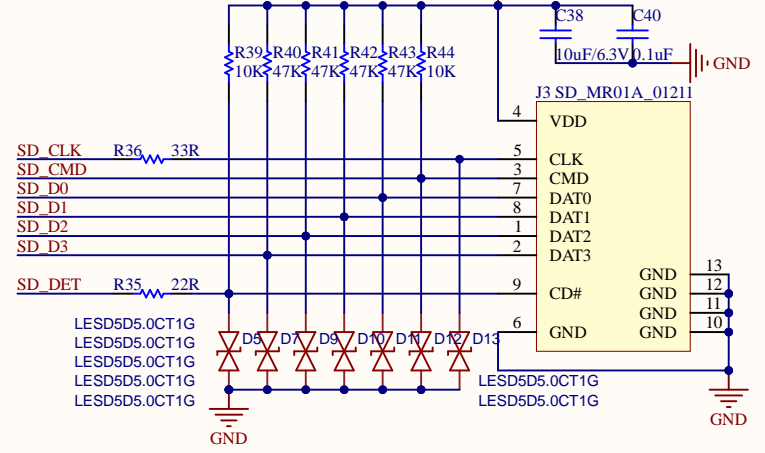


Title		
Size	Number	Revision
A4		
Date:	1/23/2024	Sheet of
File:	D:\2023-12-12_专板专课-D1s_CVBS流媒体板\KEY&EXPAND_IO.SchDoc	

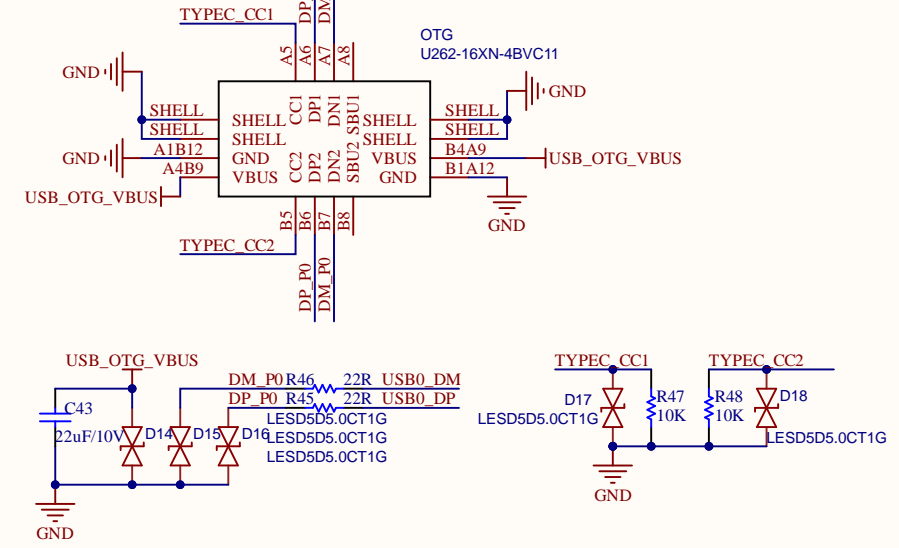


Title		
Size	Number	Revision
A4		
Date:	1/23/2024	Sheet of
File:	D:\2023-12-12_专板专课-D1s_CVBS流媒体ByLCD&PWR.SchDoc	1/1

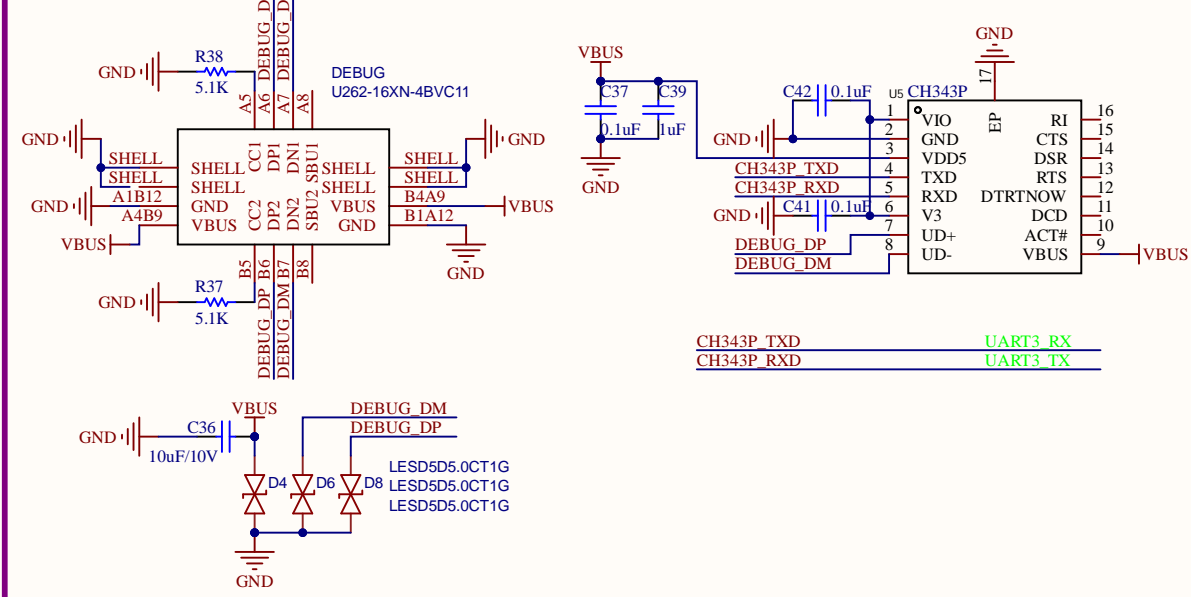
TF Card



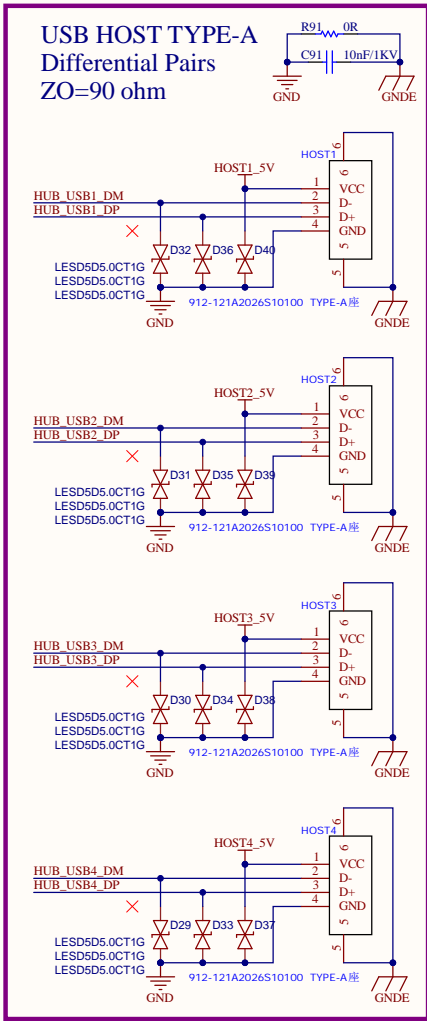
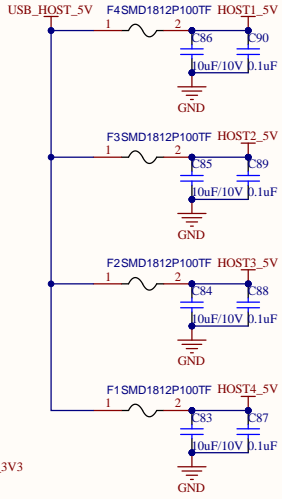
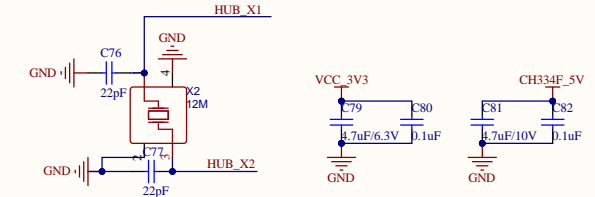
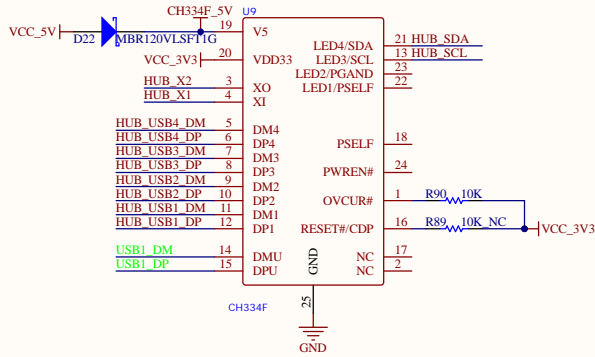
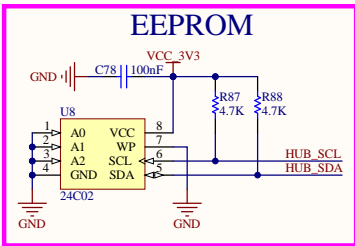
USB OTG(DEVICE)



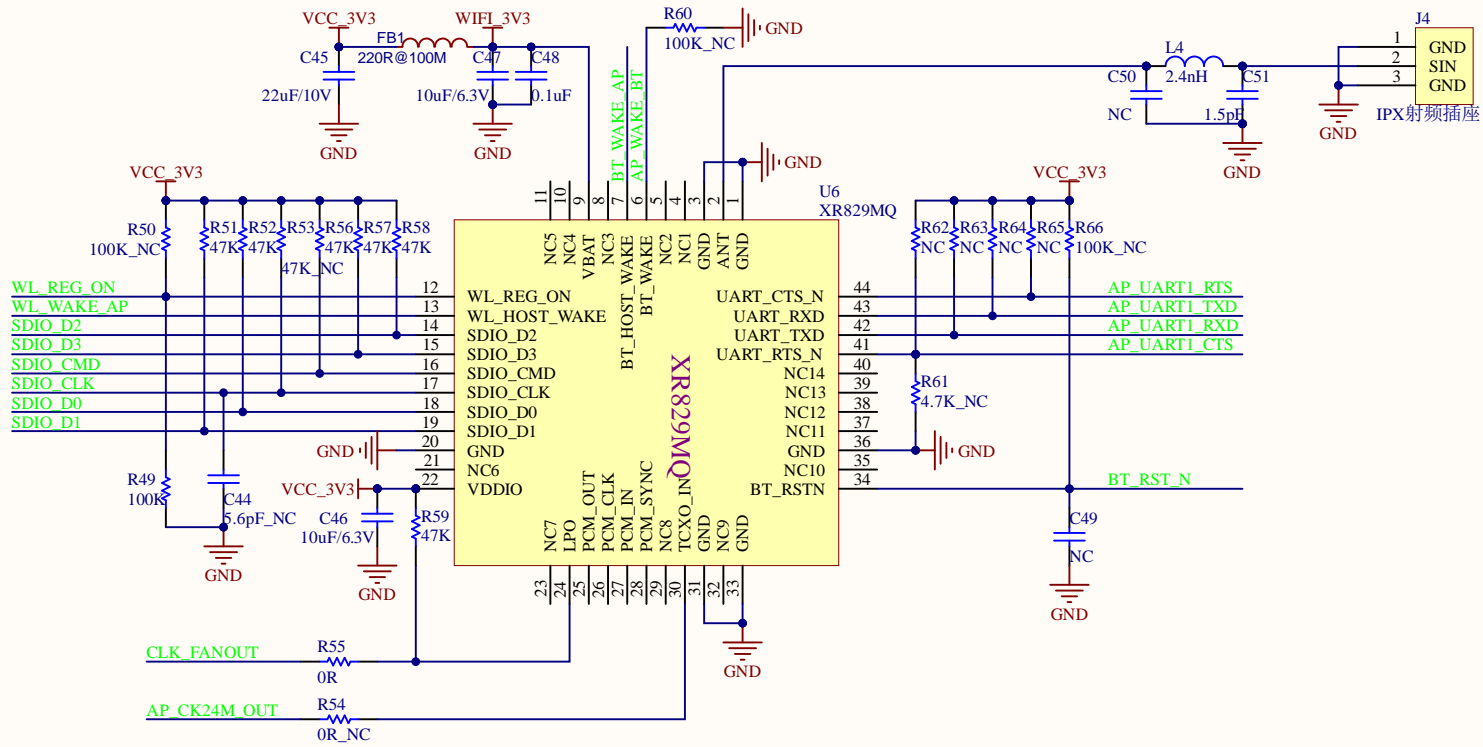
CH343P & DEBUG



Title		
Size	Number	Revision
A4		
Date:	1/23/2024	Sheet of
File:	D:\2023-12-12_专板专课-D1s_CVBS流媒体板\USB&TF.SchDoc	1/1



Title		
Size	Number	Revision
A3		
Date:	1/23/2024	Sheet of
File:	D:\2023-12-12_专板专课-D1s_CVBS清...USB_HUB_CH334F.SchDoc	1/1



Title		
Size	Number	Revision
A4		
Date:	1/23/2024	Sheet of
File:	D:\2023-12-12_专板专课-D1s_CVBS流媒体板\WIFI_XR829MQ.SchDoc	