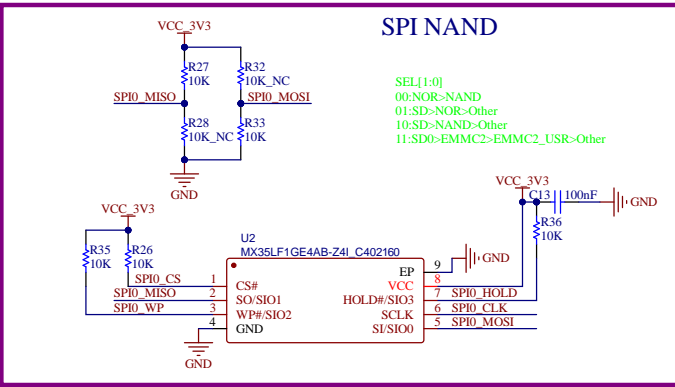
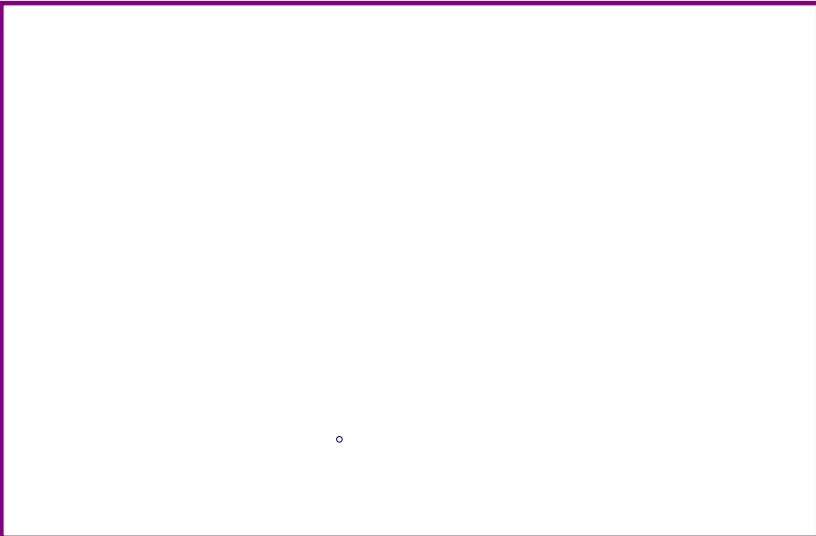
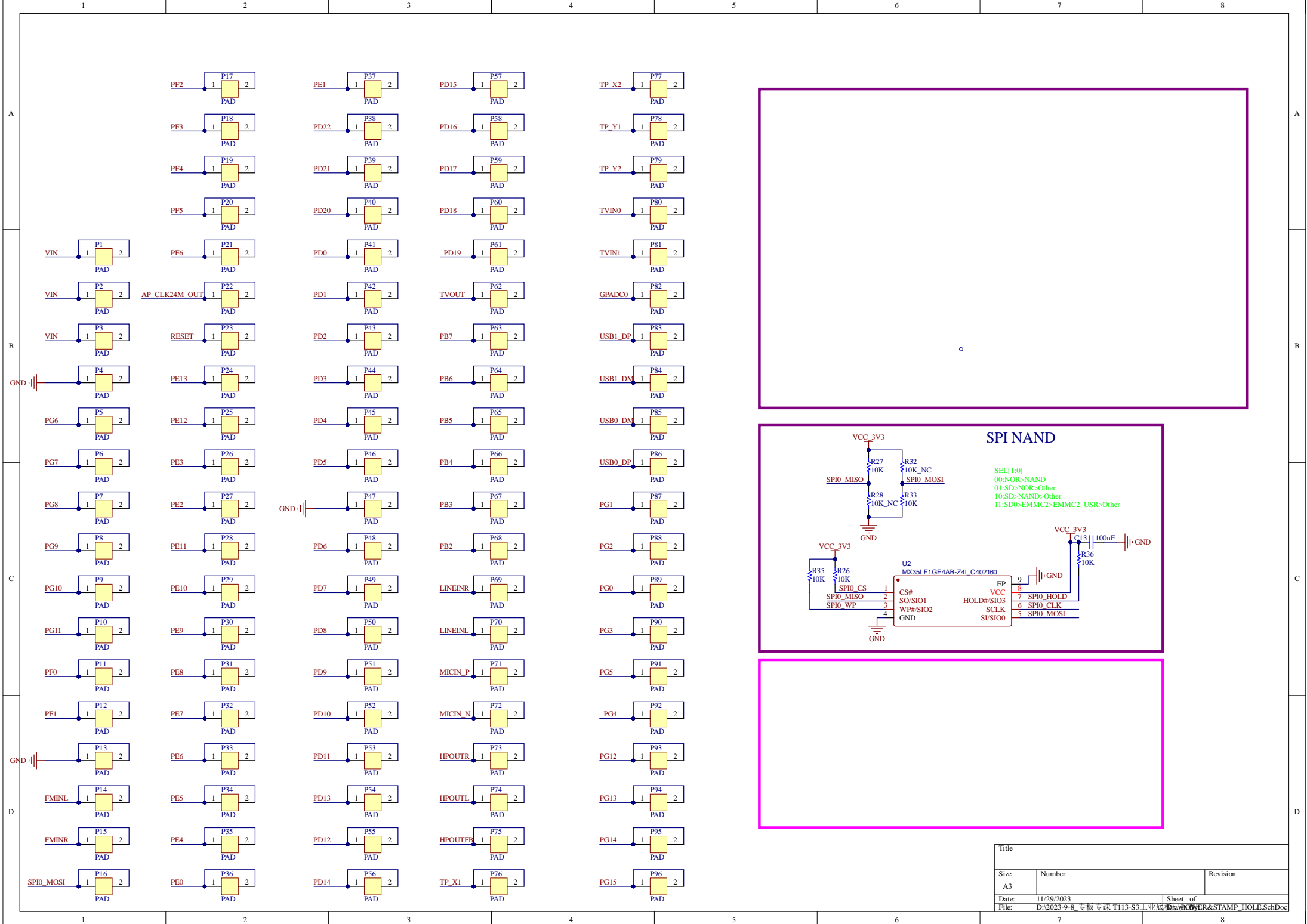


Title		
Size	Number	Revision
A3		
Date:	11/29/2023	Sheet of
File:	D:\2023-9-8_专板专课 T113-S3_工业版	1/1
		Drawn By: SchDoc



Title		
Size	Number	Revision
A3		
Date:	11/29/2023	Sheet of
File:	D:\2023-9-8_专板专课 T113-S3_工业版	10/10
		DRIVER&STAMP_HOLE.SchDoc