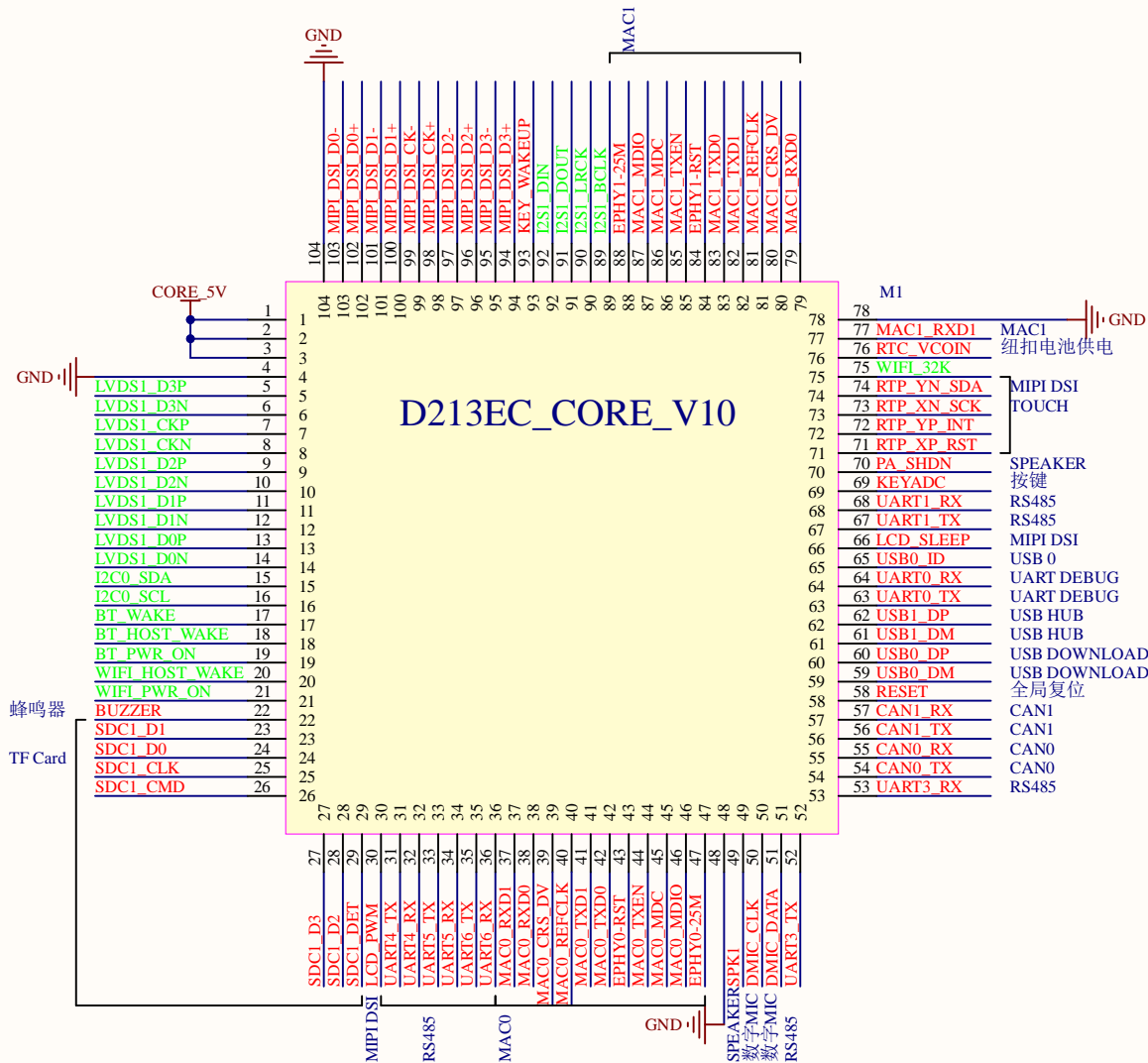
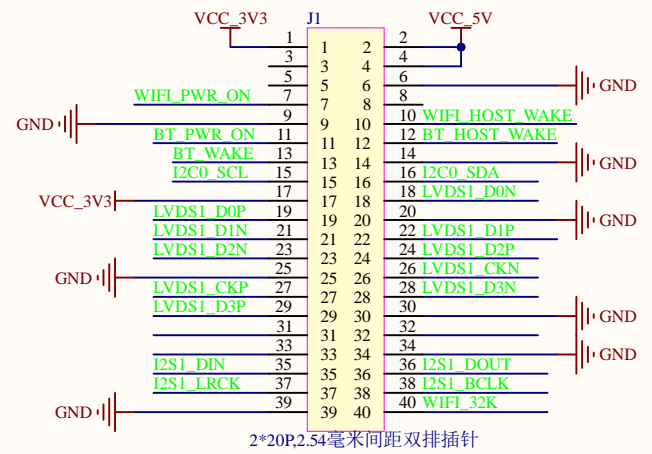


# D213EC CORE

## D213EC\_CORE\_V10



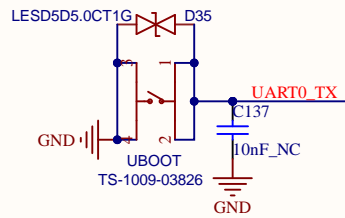
### 扩展IO



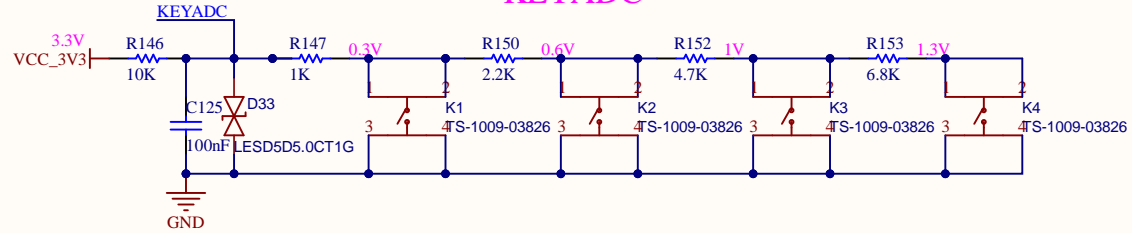
2\*20P2.54毫米间距双排插针

Title		
Size	Number	Revision
A4		
Date:	1/29/2024	Sheet of
File:	D:\2023-09-01_匠心创-D213E\0.D213E_CORE_INTERFACE.SchDoc	0/1

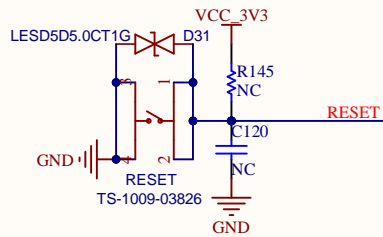
### UBOOT KEY



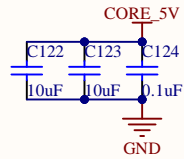
### KEYADC



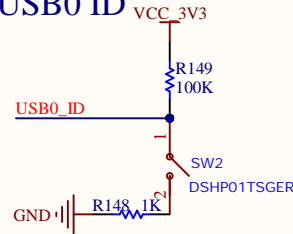
### RESET



### Decouple

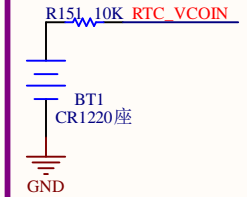


### USB0 ID

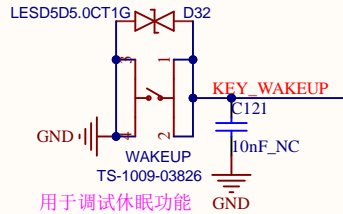


选择DEVICE或者HOST模式

### R151 10K RTC VCOIN



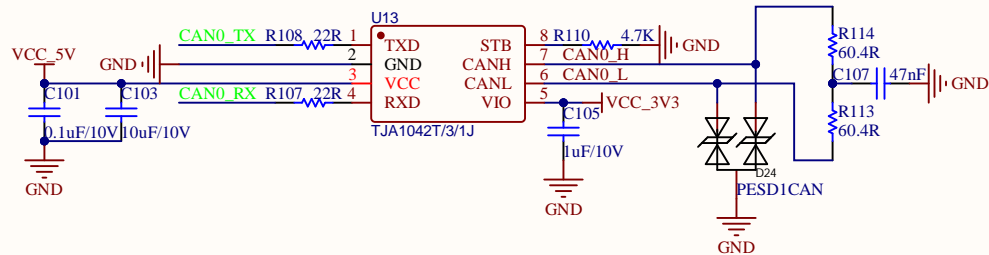
### WAKEUP



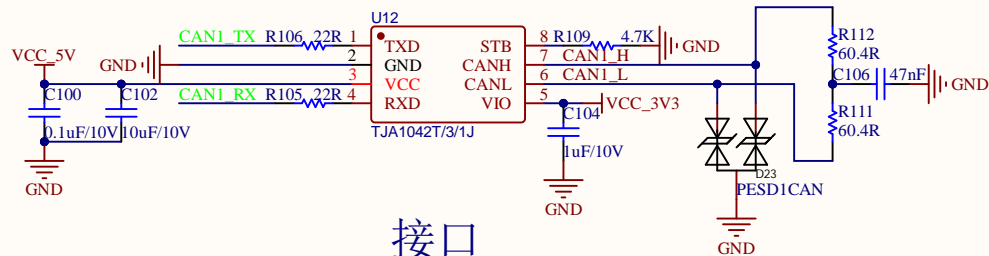
用于调试休眠功能

Title		
Size	Number	Revision
A4		
Date:	1/29/2024	Sheet of
File:	D:\2023-09-01_匠心创-D213\1.D213EPCORREY-PERIPH.SchDoc	

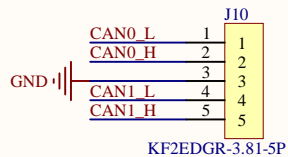
### CAN0



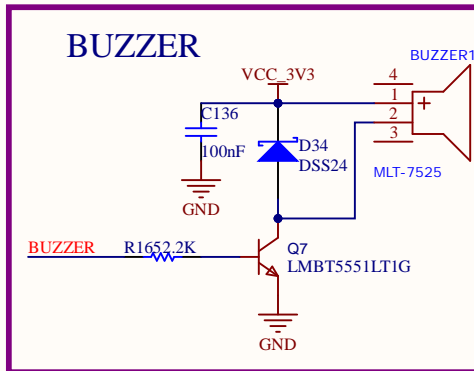
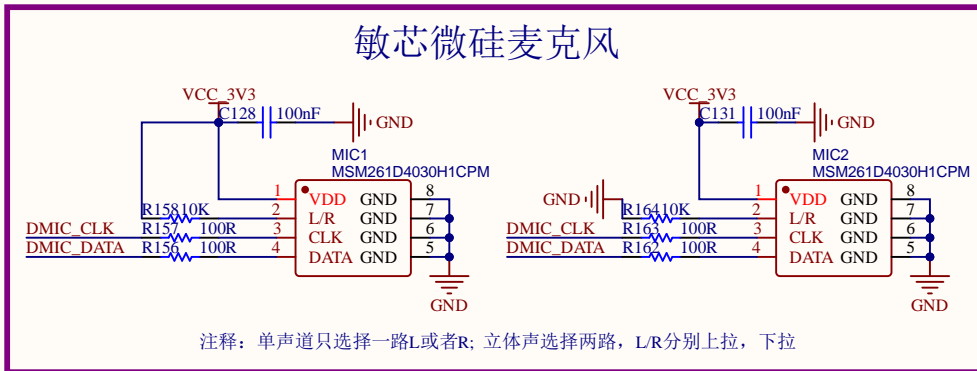
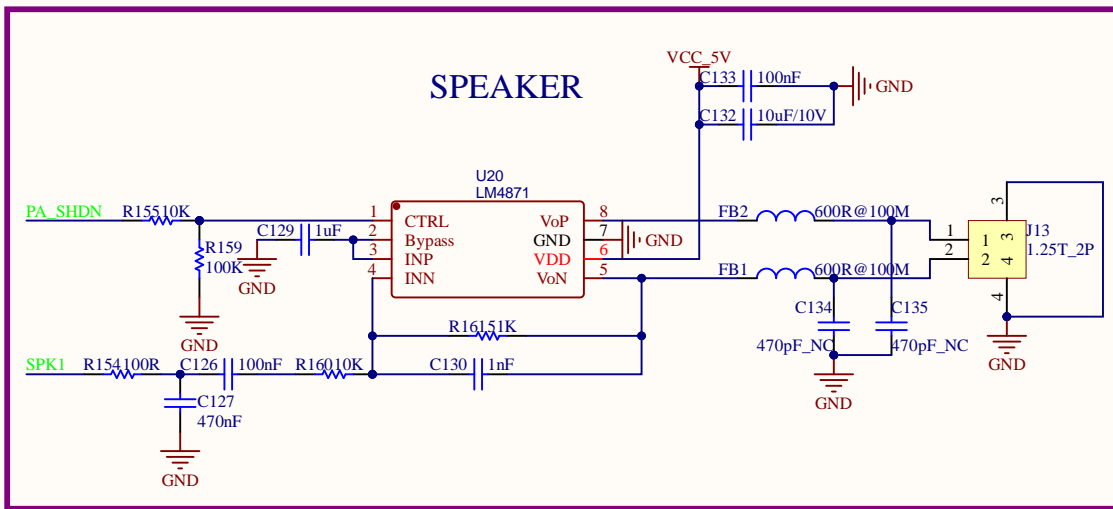
### CAN1



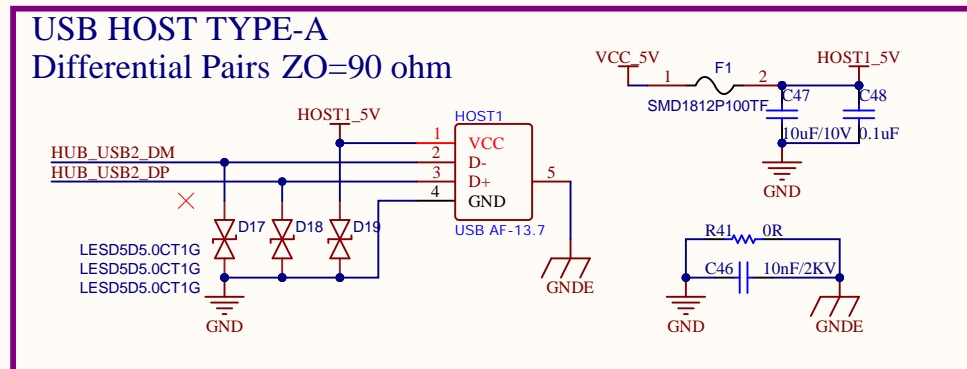
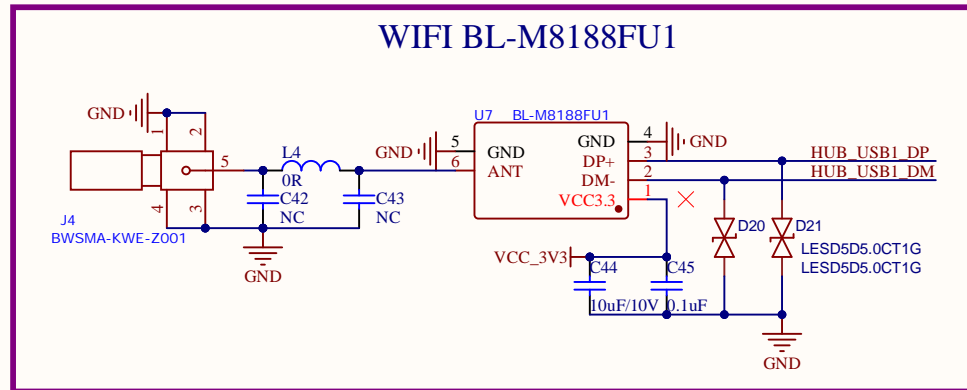
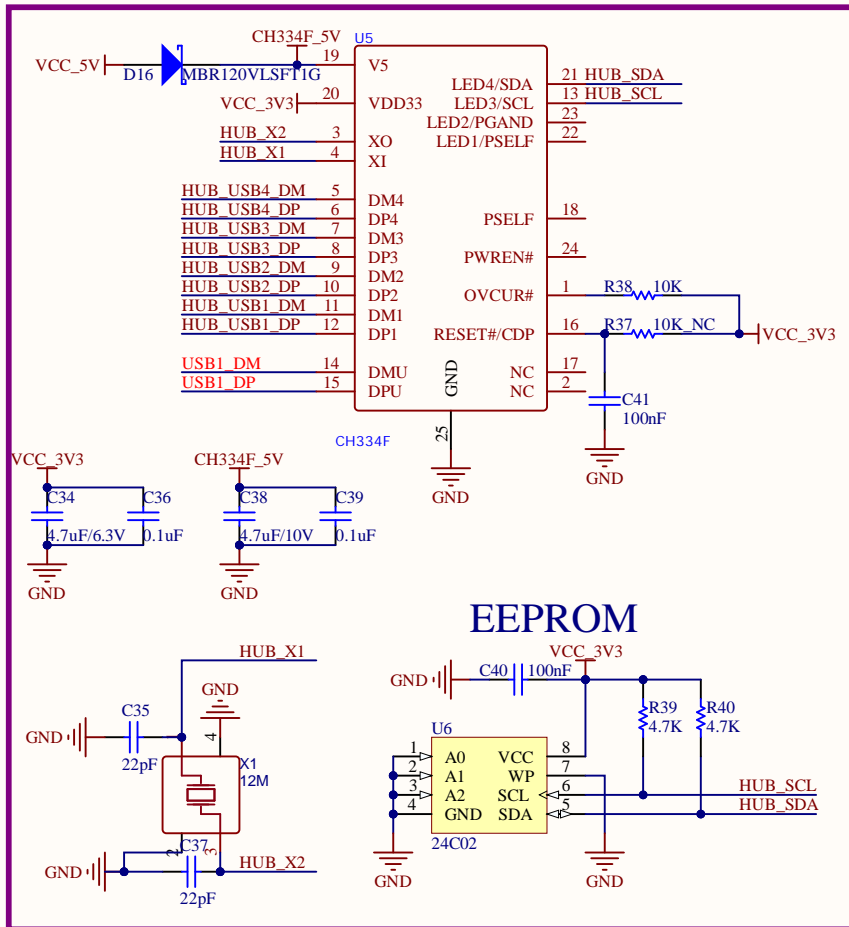
### 接口



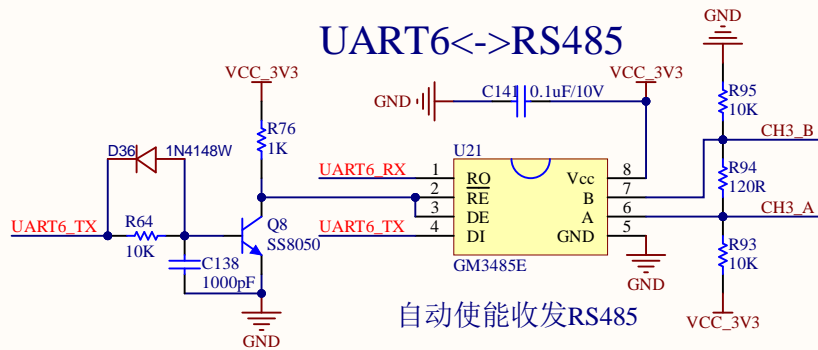
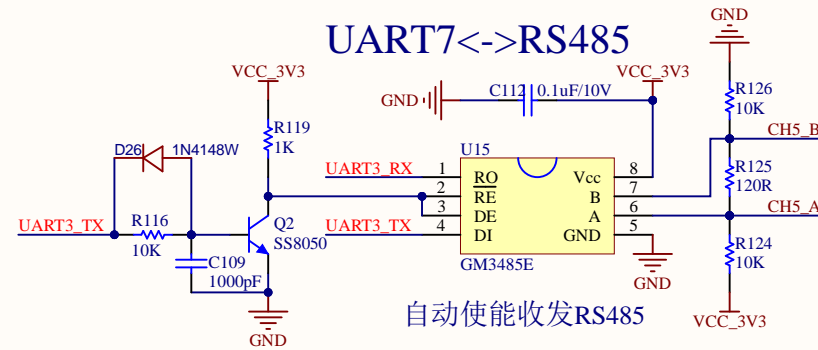
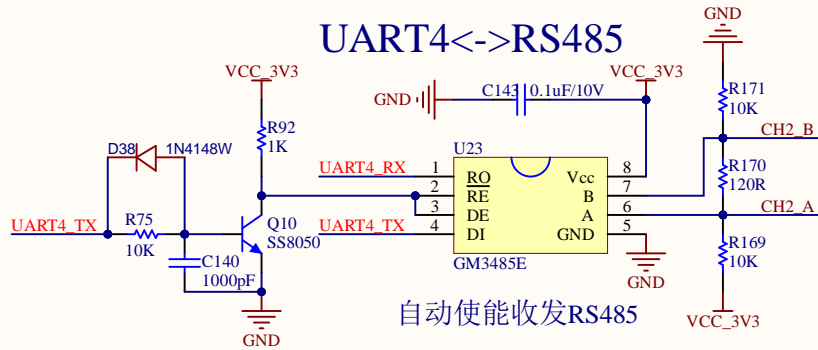
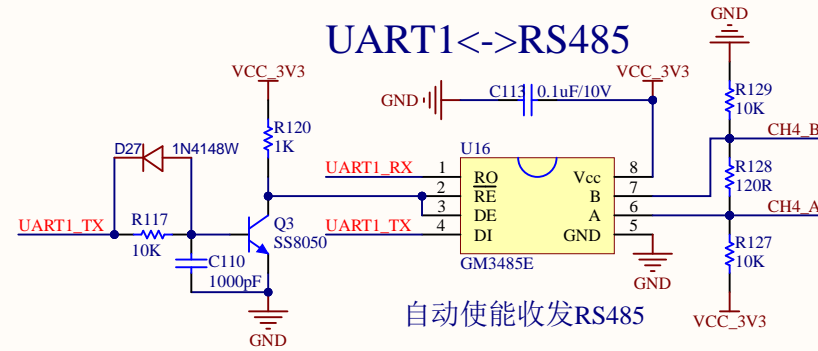
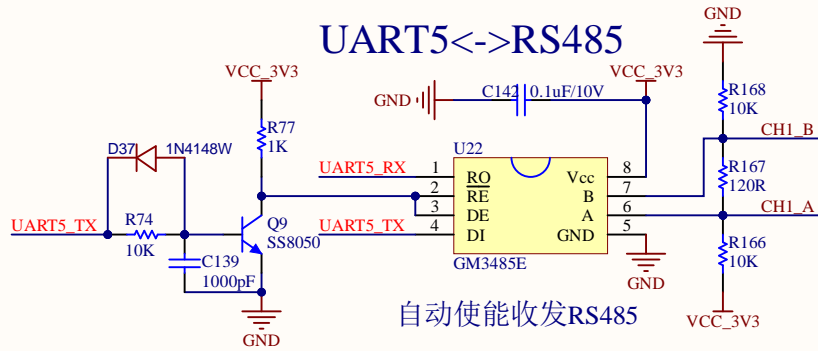
Title		
Size	Number	Revision
A4		
Date:	1/29/2024	Sheet of
File:	D:\2023-09-01_匠心创-D213\..10.CAN_SchDocBy:	



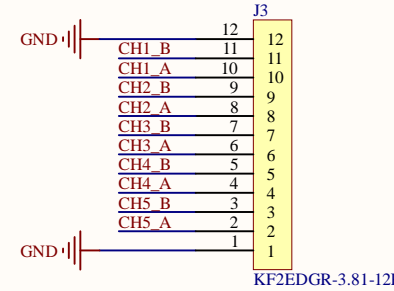
Title		
Size	Number	Revision
A4		
Date:	1/29/2024	Sheet of
File:	D:\2023-09-01_匠心创-D213\11.AUDIODr.Sch.Dwg	



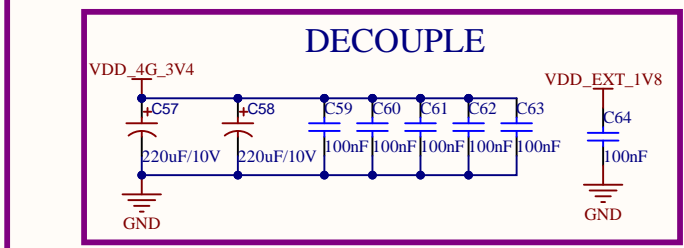
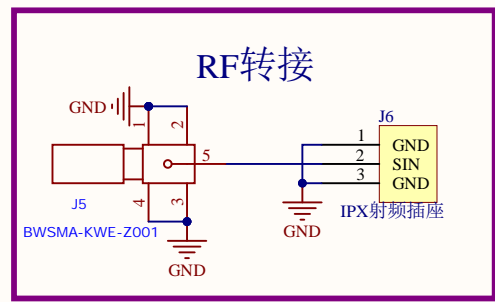
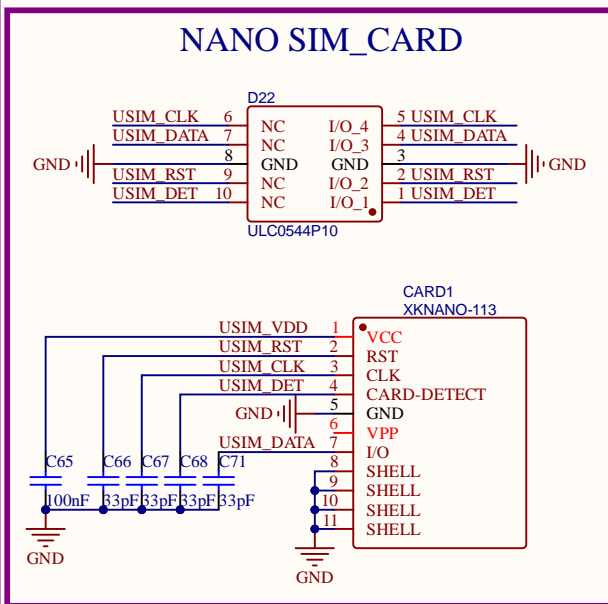
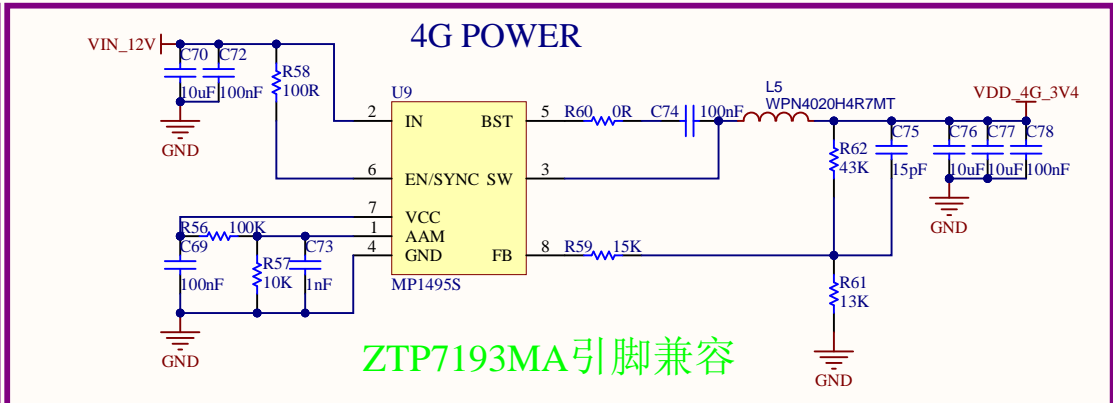
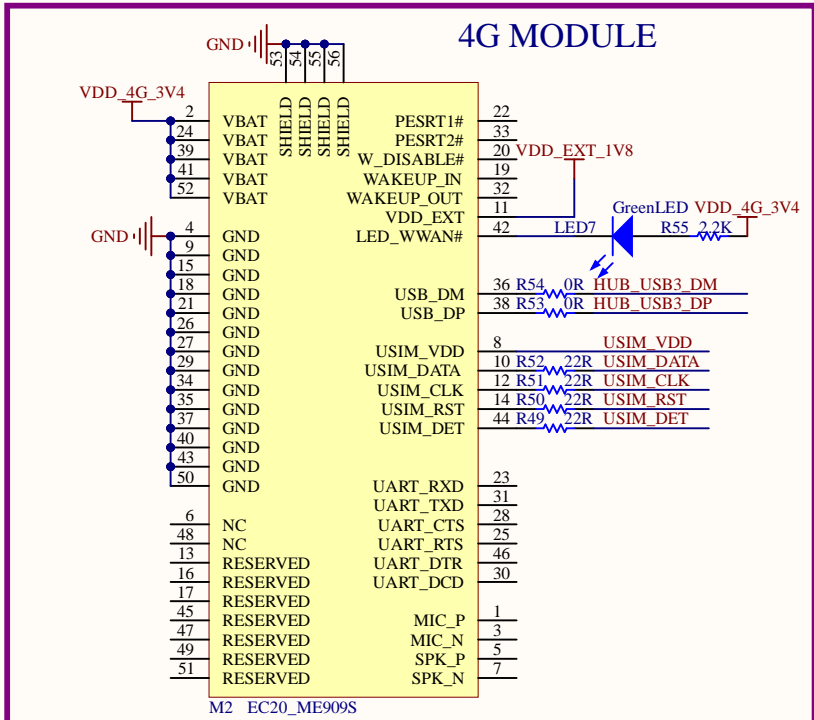
Title		
Size	Number	Revision
A4		
Date:	1/29/2024	Sheet of
File:	D:\2023-09-01_匠心创-D213\2.USB_HUB\CH334F&WIFI_M8188FU1.SchDoc	



## 接口



Title		
Size	Number	Revision
A4		
Date:	1/29/2024	Sheet of
File:	D:\2023-09-01_匠心创-D213\3.RS485_SchDocBy:	

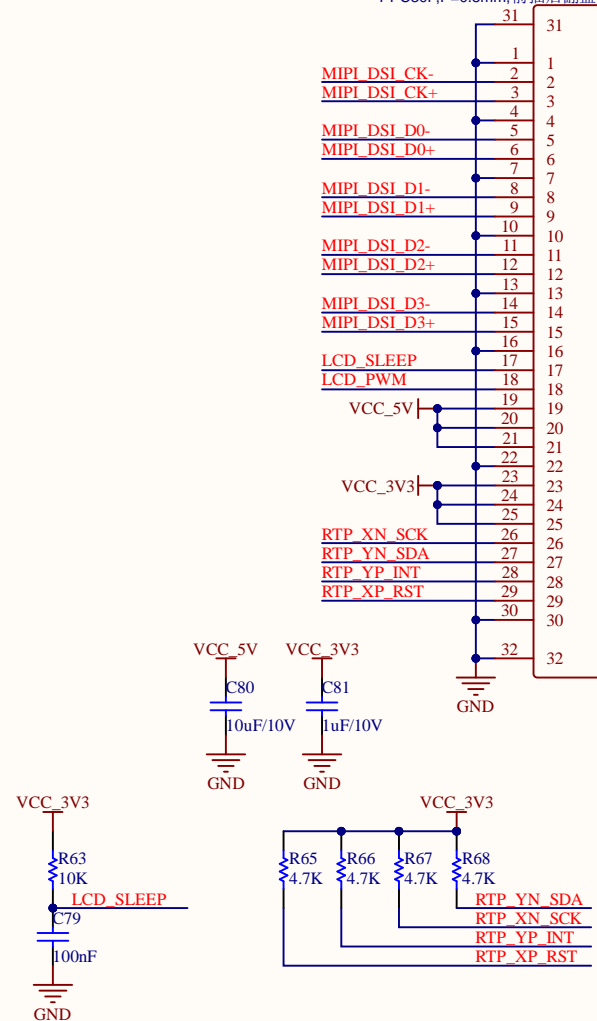


Title		
Size	Number	Revision
A4		
Date:	1/29/2024	Sheet of
File:	D:\2023-09-01_匠心创-D213\4.4G_EC20_SchDoc	

# MIPI DSI

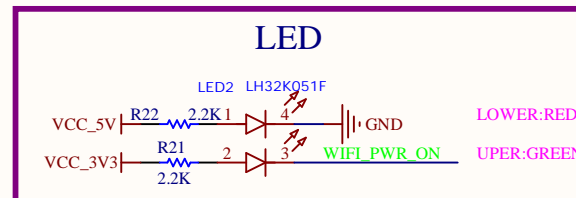
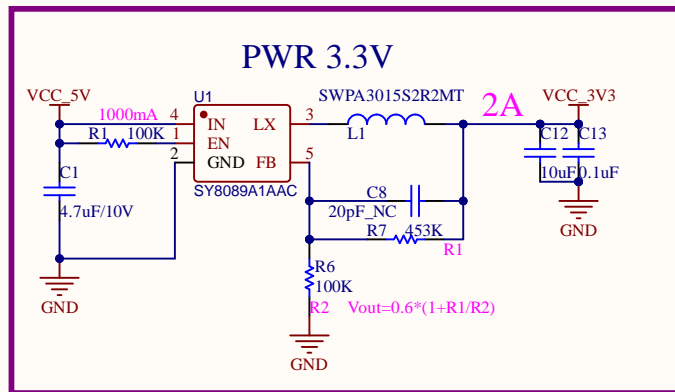
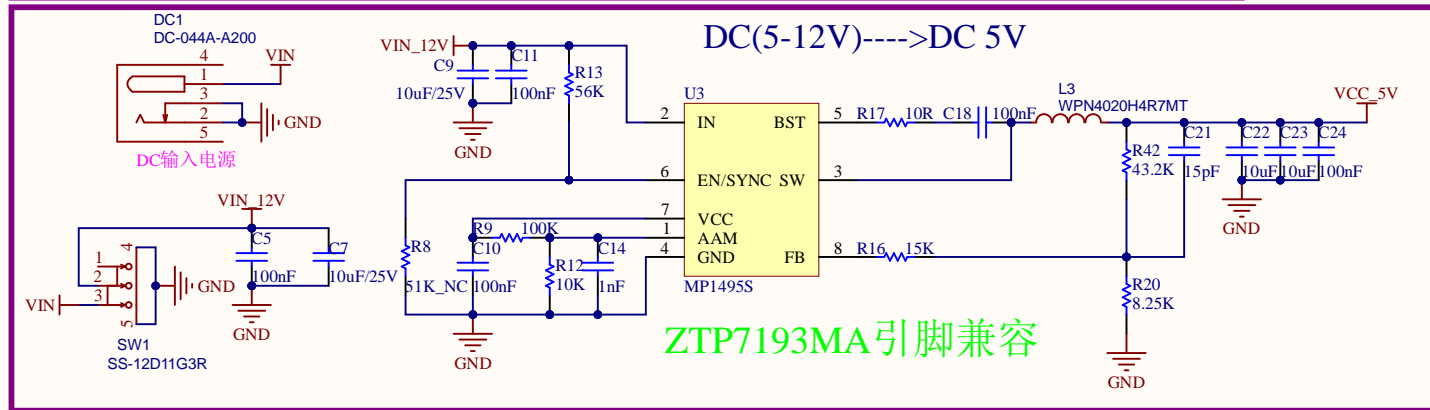
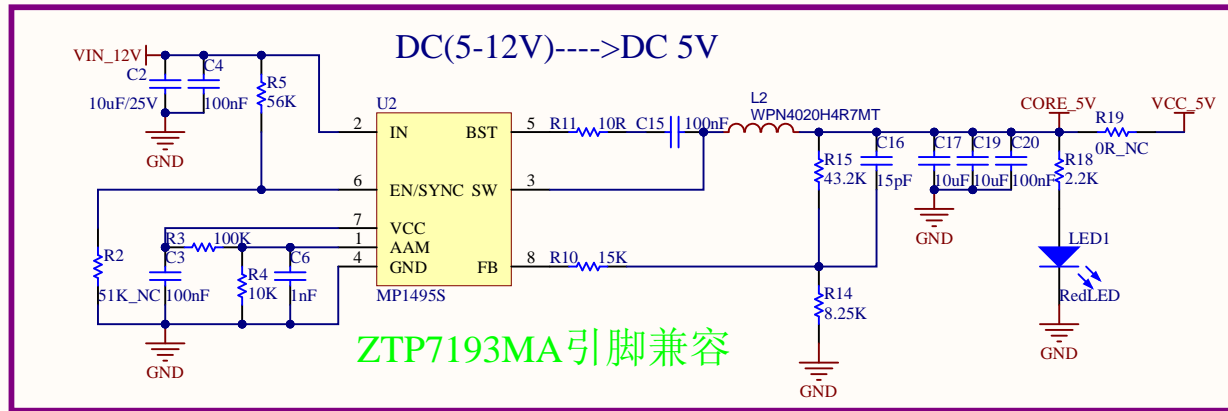
J7

FPC30P,P=0.5mm,前插后翻盖



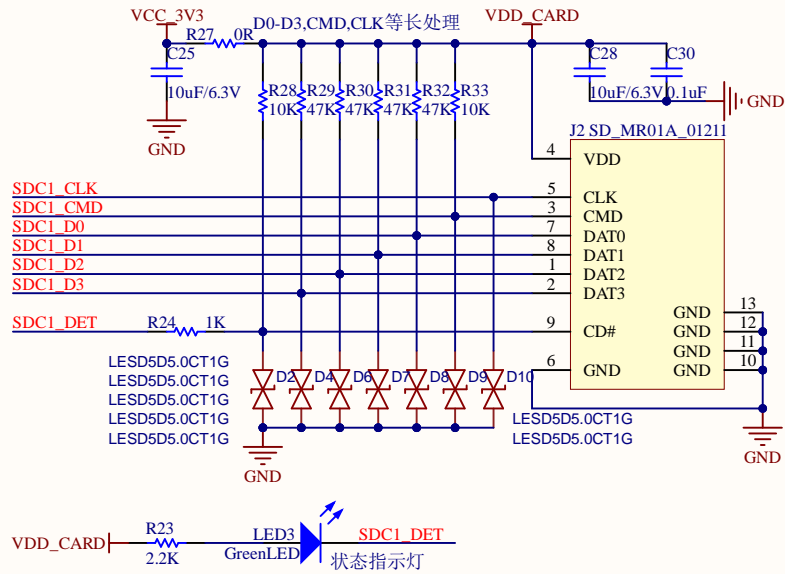
Title		
Size	Number	Revision
A4		
Date:	1/29/2024	Sheet of
File:	D:\2023-09-01_匠心创-D213\..5.MIPI DSI_SchDoc	



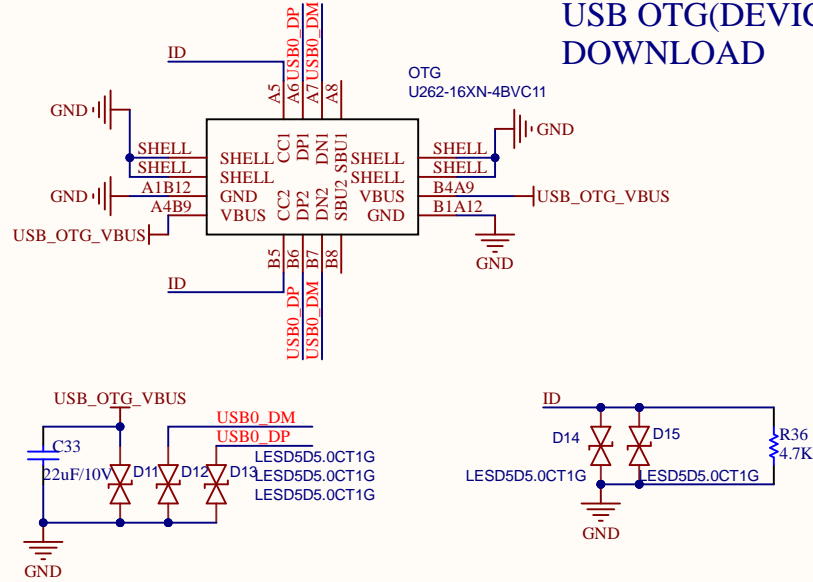


Title		
Size	Number	Revision
A4		
Date:	1/29/2024	Sheet of
File:	D:\2023-09-01_匠心创-D213\..6.PWR.Schematic By:	

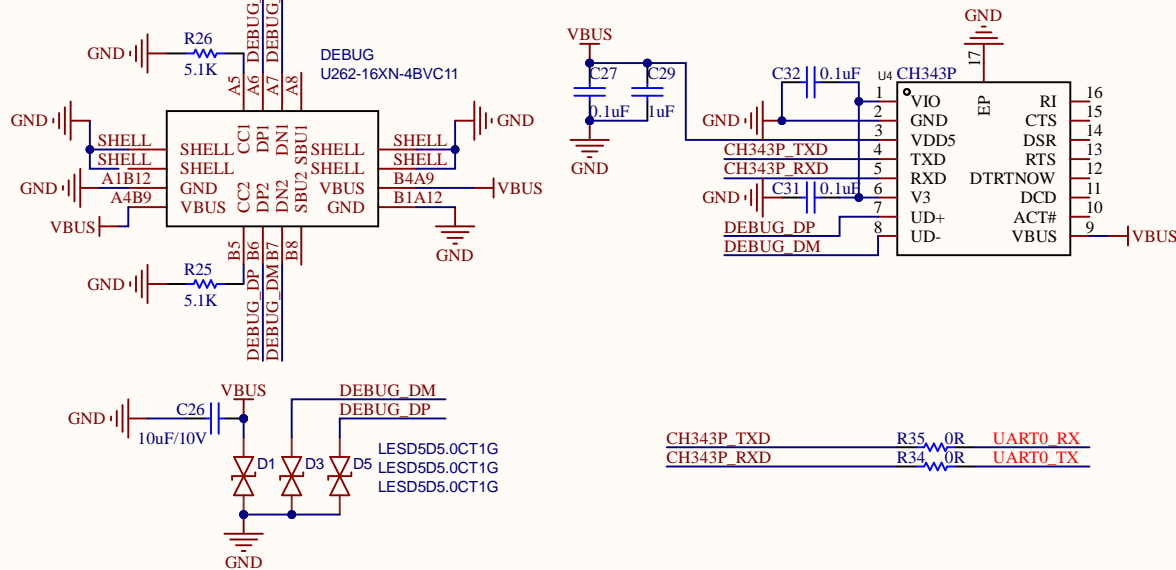
### TF Card



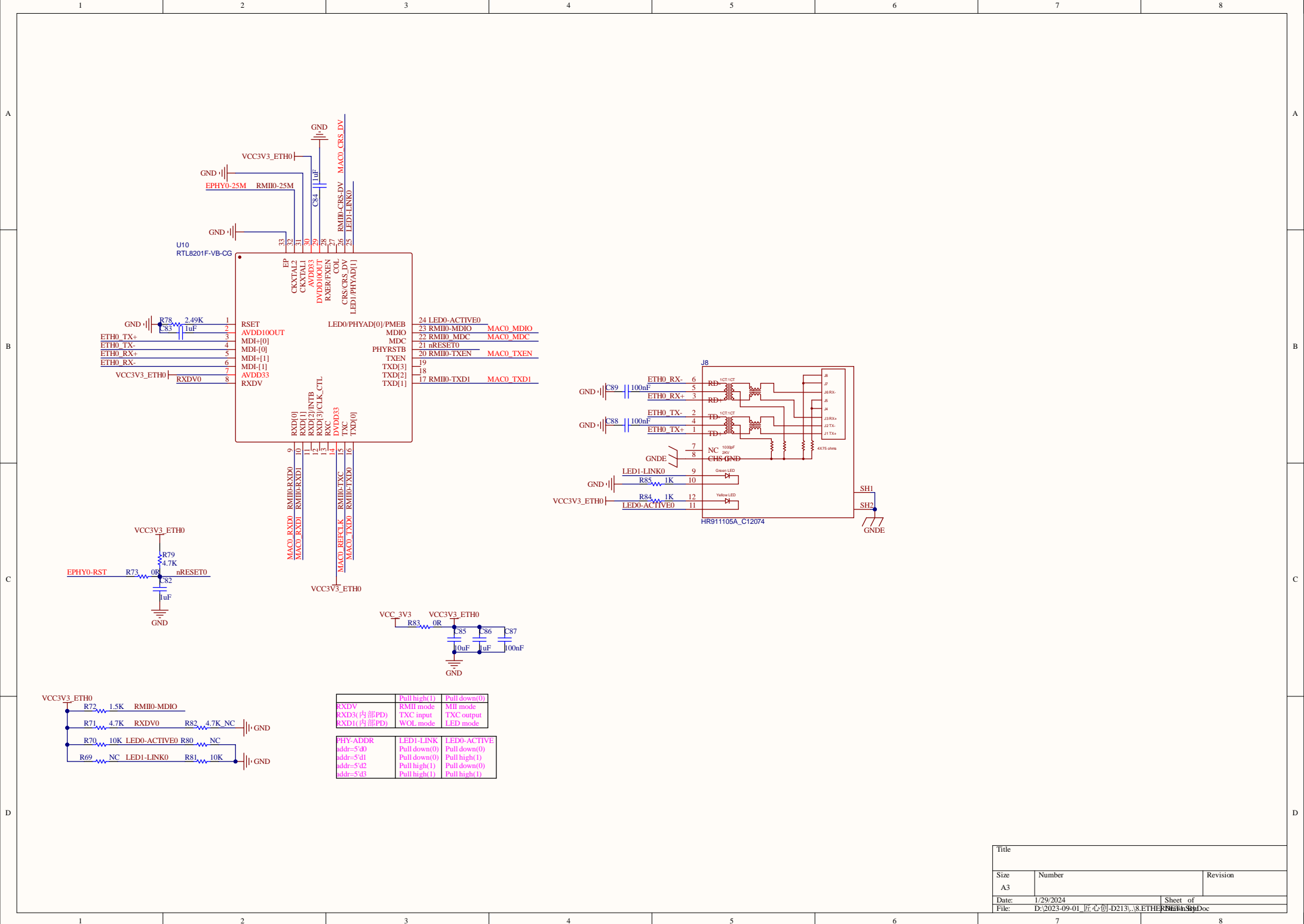
### USB OTG(DEVICE) DOWNLOAD



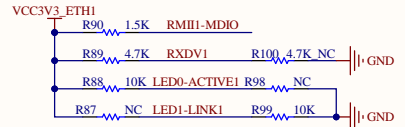
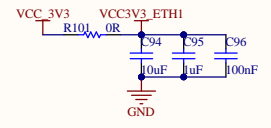
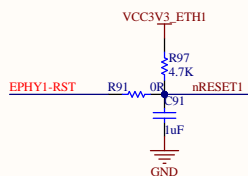
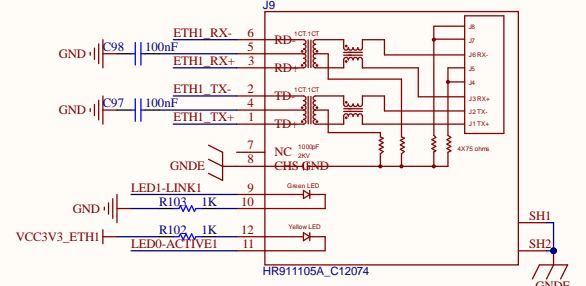
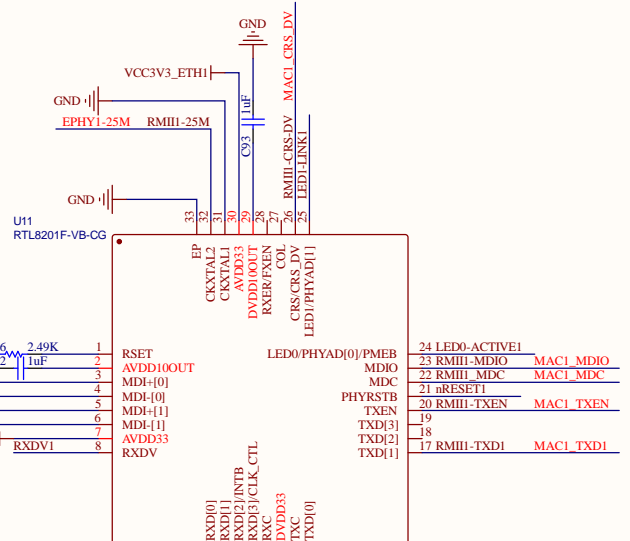
### CH343P & DEBUG



Title		
Size A4	Number	Revision
Date:	1/29/2024	Sheet of
File:	D:\2023-09-01_匠心创-D213\..7.USB_DEBUG_SCH.SchDoc	



Title		
Size	Number	Revision
A3		
Date:	1/29/2024	
File:	D:\2023-09-01_匠心创-D213\8.ETHERPHY\1811105A.Doc	
	Sheet of	
	18	



RXDV	Pull high(1)	Pull down(0)
RXD3(内部PD)	RMII mode	MII mode
RXD1(内部PD)	TXC input	TXC output
	WOL mode	LED mode
PHY-ADDR	LED1-LINK	LED0-ACTIVE
addr=S'd1	Pull down(0)	Pull down(0)
addr=S'd2	Pull down(0)	Pull high(1)
addr=S'd3	Pull high(1)	Pull down(0)
	Pull high(1)	Pull high(1)

Title		
Size	Number	Revision
A3		
Date:	1/29/2024	
File:	D:\2023-09-01_匠心创-D213\19.ETHERNET\PCB\Doc	