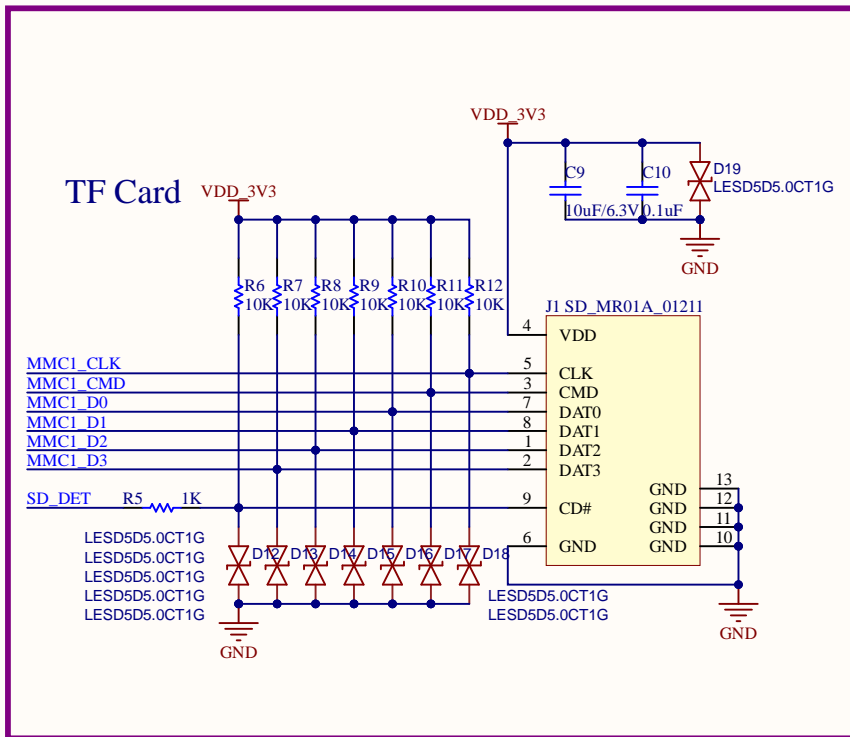
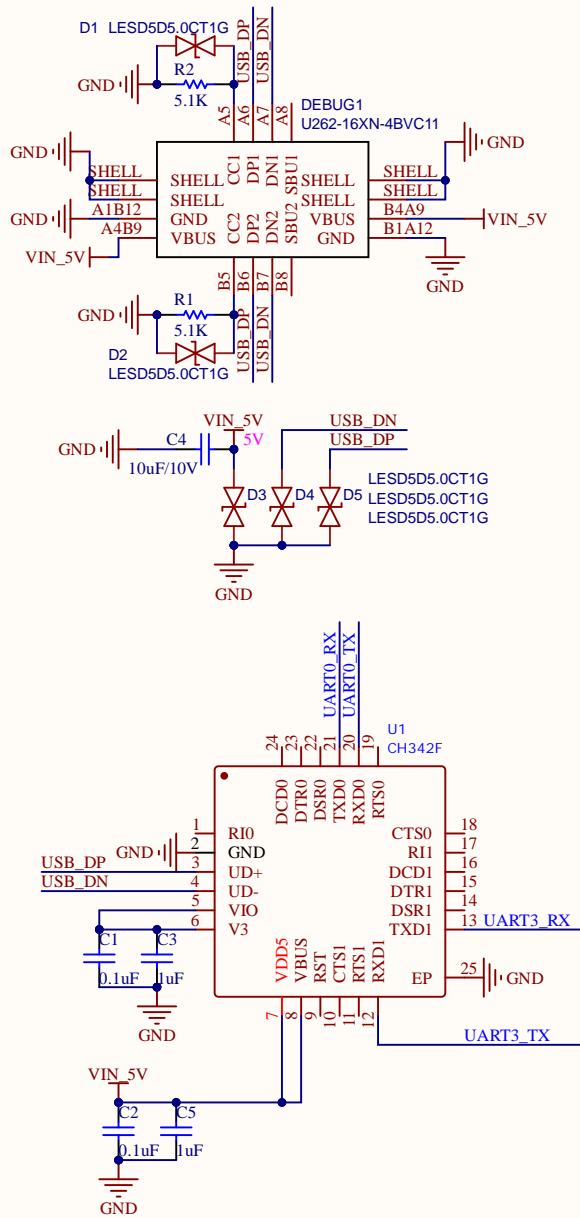


Size	Number	Revision
A4		
Date:	7/29/2024	Sheet of
File:	D:\2024-1-12_嘉楠K230\10.USB_HOST\10.USB_HOST.DOC	By:

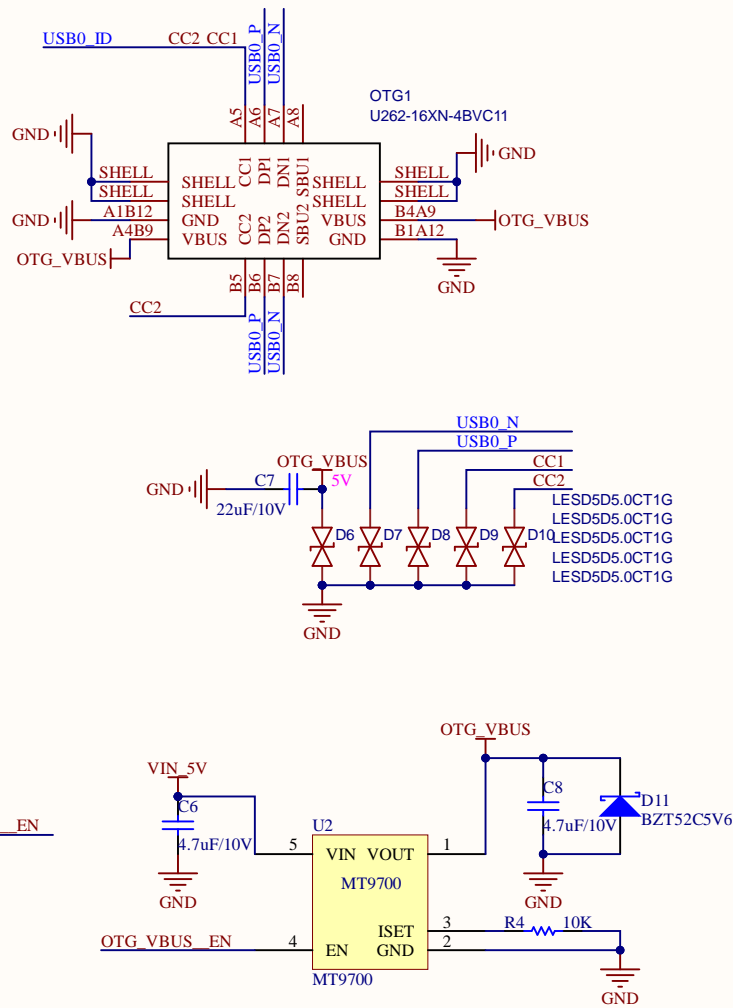


Title		
Size	Number	Revision
A4		
Date:	7/29/2024	Sheet of
File:	D:\2024-1-12_嘉楠K230\1.TF_CARD_SchDoc By:	

### CH342F & DEBUG

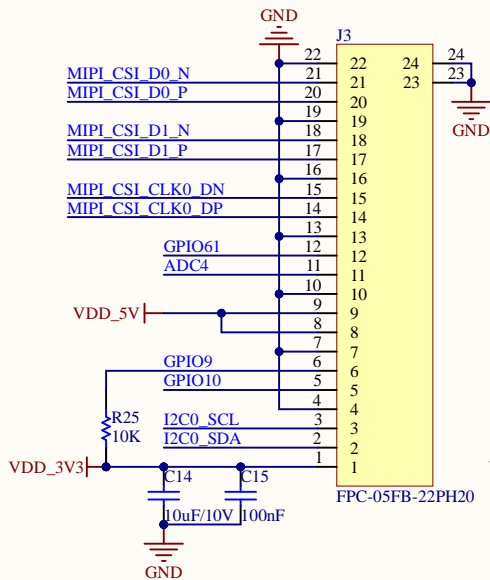


### USB OTG

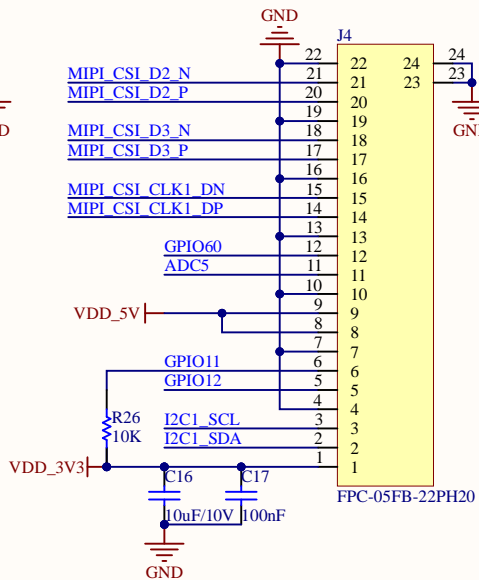


Title		
Size	Number	Revision
A4		
Date:	7/29/2024	Sheet of
File:	D:\2024-1-12_嘉楠K230\12.CH342F&USB_OTG\SchDoc	

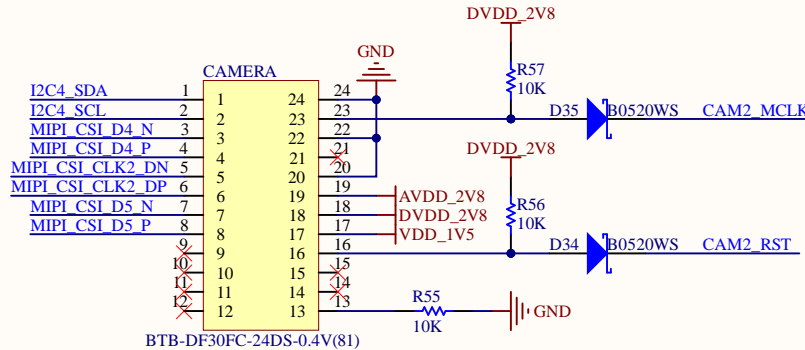
### CSI0



### CSI1

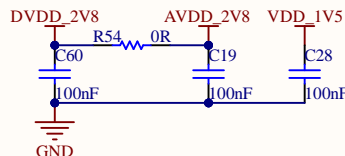
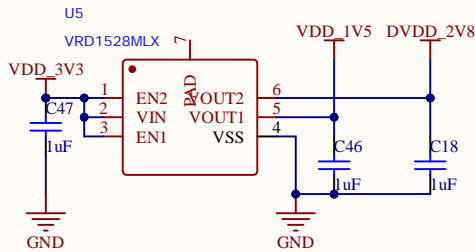
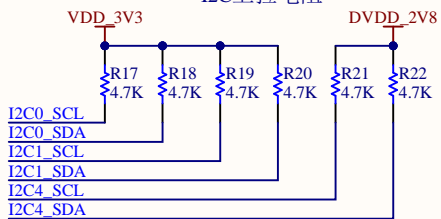


### CSI2



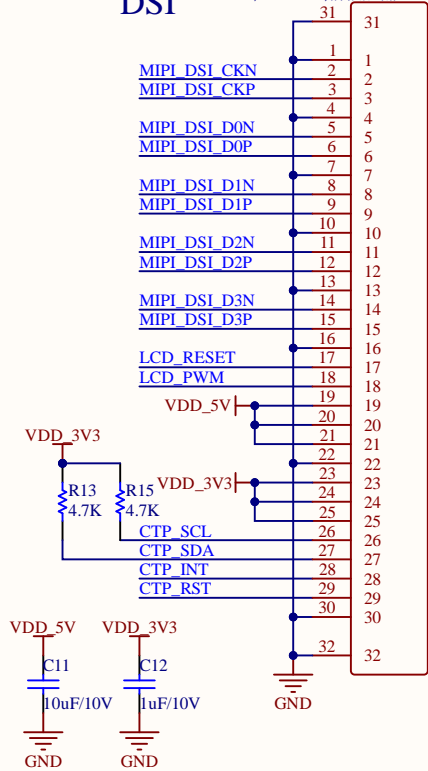
01 : SDA	24 : GND
02 : SCL	23 : MCLK
03 : MDN0	22 : GND
04 : MDP0	21 : PCLK
05 : MCN	20 : GND
06 : MCP	19 : AVDD
07 : MDN1	18 : DOVDD
08 : MDP1	17 : DVDD
09 :	16 : RESET
10 :	15 : VSYNC
11 :	14 : HREF
12 :	13 : PWDN

#### I2C上拉电阻

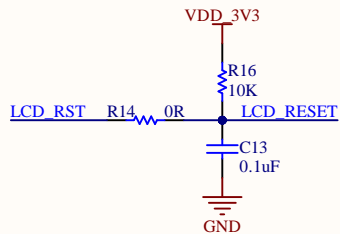


Title		
Size	Number	Revision
A4		
Date:	7/29/2024	Sheet of
File:	D:\2024-1-12_嘉楠K230\13.MIPI_CSI_Schematic	Drawn By:

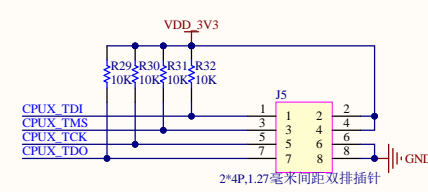
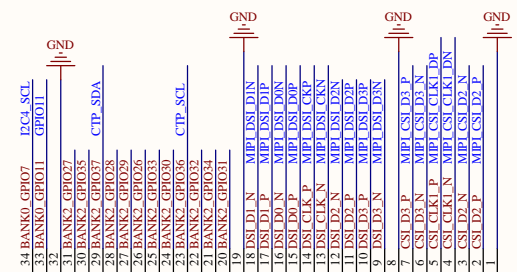
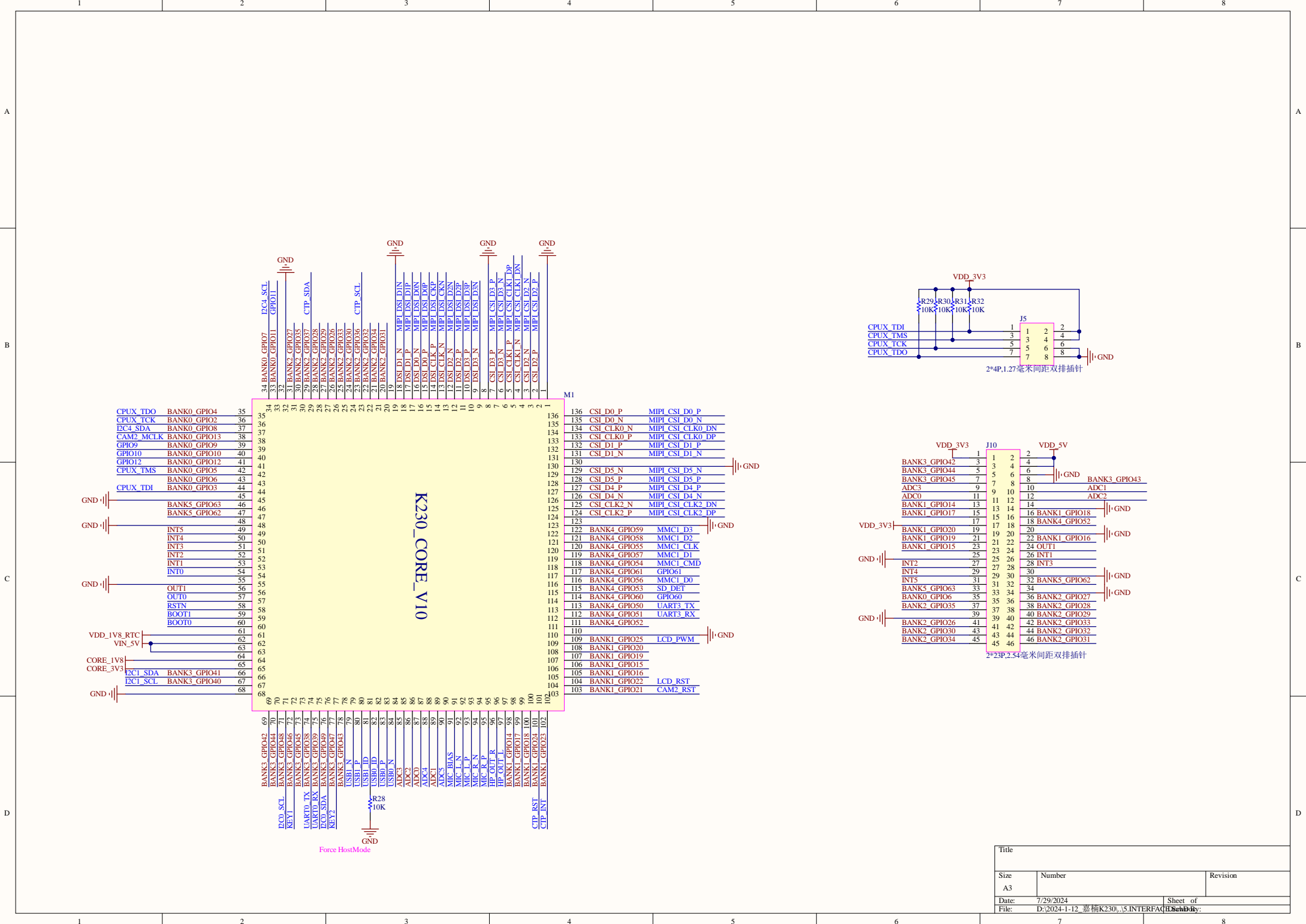
J2  
FPC30P,P=0.5mm,前插后翻盖  
DSI



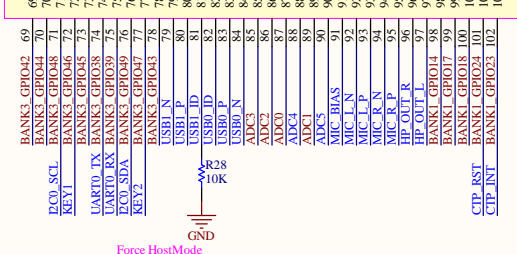
LCD RESET



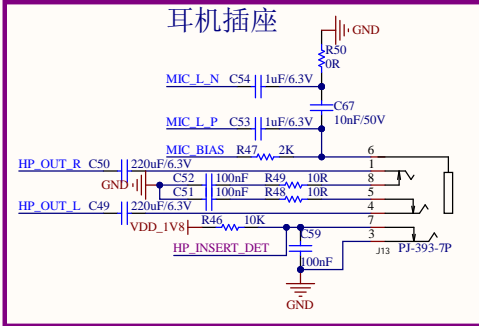
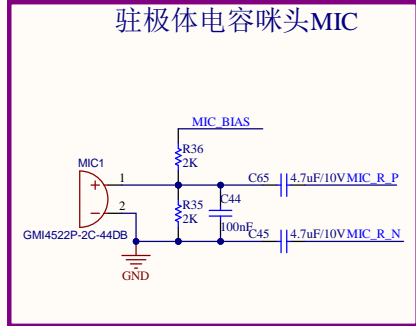
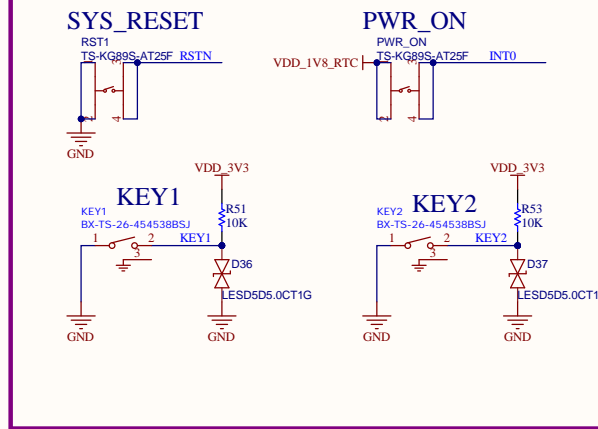
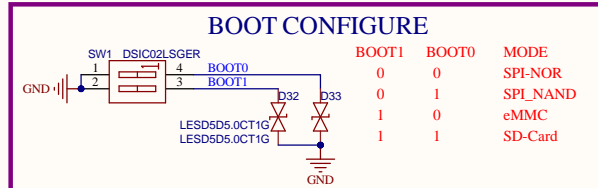
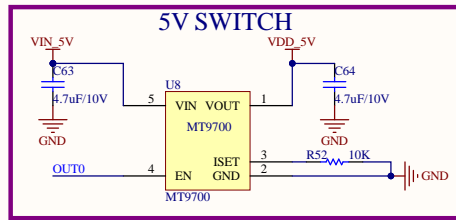
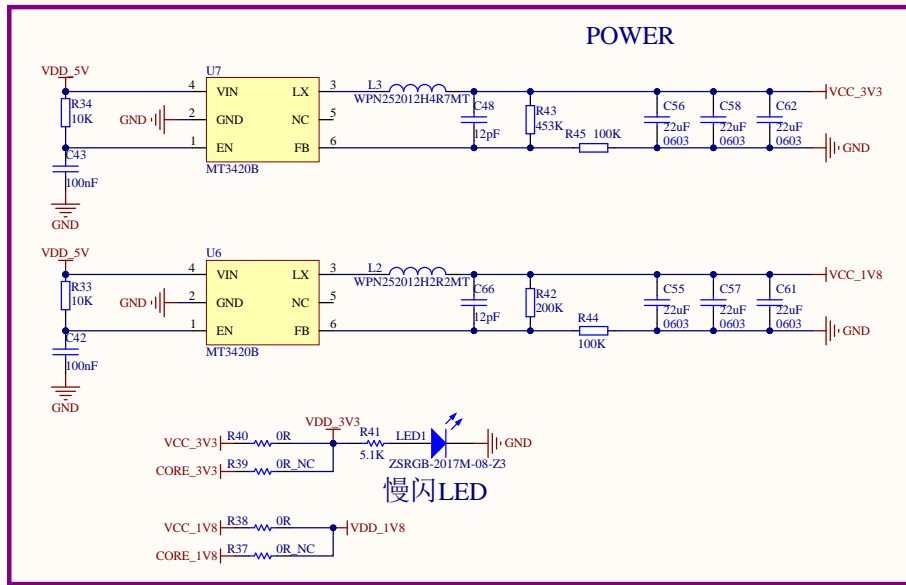
Title		
Size A4	Number	Revision
Date:	7/29/2024	Sheet of
File:	D:\2024-1-12_嘉楠K230\14.MIPI_DSI_Schematic\Drawn By:	



CPUX_TDO	BANK0_GPIO4	35	136	CSI_D0_P	MIP1_CSI_D0_P
CPUX_TCK	BANK0_GPIO2	36	135	CSI_D0_N	MIP1_CSI_D0_N
I2C4_SDA	BANK0_GPIO8	37	134	CSI_CLK0_N	MIP1_CSI_CLK0_DN
CAM2_MCLK	BANK0_GPIO13	38	133	CSI_CLK0_P	MIP1_CSI_CLK0_DP
GPIO9	BANK0_GPIO9	39	132	CSI_D1_P	MIP1_CSI_D1_P
GPIO10	BANK0_GPIO10	40	131	CSI_D1_N	MIP1_CSI_D1_N
GPIO12	BANK0_GPIO12	41	130		
CPUX_TMS	BANK0_GPIO5	42	129	CSI_D5_N	MIP1_CSI_D5_N
CPUX_TDI	BANK0_GPIO3	44	128	CSI_D5_P	MIP1_CSI_D5_P
	BANK5_GPIO63	46	127	CSI_D4_P	MIP1_CSI_D4_P
	BANK5_GPIO62	47	126	CSI_D4_N	MIP1_CSI_D4_N
	INT5	49	125	CSI_CLK2_N	MIP1_CSI_CLK2_DN
	INT4	50	124	CSI_CLK2_P	MIP1_CSI_CLK2_DP
	INT3	51	123		
	INT2	52	122	BANK4_GPIO59	MMC1_D3
	INT1	53	121	BANK4_GPIO58	MMC1_D2
	INT0	54	120	BANK4_GPIO55	MMC1_CLK
	OUT1	55	119	BANK4_GPIO57	MMC1_D1
	OUT0	56	118	BANK4_GPIO54	MMC1_CMD
	RSTN	58	117	BANK4_GPIO61	GPIO61
	BOOT1	59	116	BANK4_GPIO56	MMC1_D0
	BOOT0	60	115	BANK4_GPIO53	SD_DET
	VDD_1V8_RTC	61	114	BANK4_GPIO60	GPIO60
	VIN_5V	62	113	BANK4_GPIO50	UART3_TX
	CORE_1V8	63	112	BANK4_GPIO51	UART3_RX
	CORE_3V3	64	111	BANK4_GPIO52	
	I2C1_SDA	BANK3_GPIO41	110		
	I2C1_SCL	BANK3_GPIO40	109	BANK1_GPIO25	LCD_PWM
			108	BANK1_GPIO20	
			107	BANK1_GPIO19	
			106	BANK1_GPIO15	
			105	BANK1_GPIO16	
			104	BANK1_GPIO22	LCD_RST
			103	BANK1_GPIO21	CAM2_RST



Title		
Size	Number	Revision
A3		
Date:	7/29/2024	Sheet of
File:	D:\2024-1-12_嘉楠K230_15.INTERFAQ\15.SchDtbl	8



Title		
Size	Number	Revision
A3		
Date:	7/29/2024	Sheet of
File:	D:\2024-1-12_嘉楠K230_1.6.POWER.Sch	Drawn By: