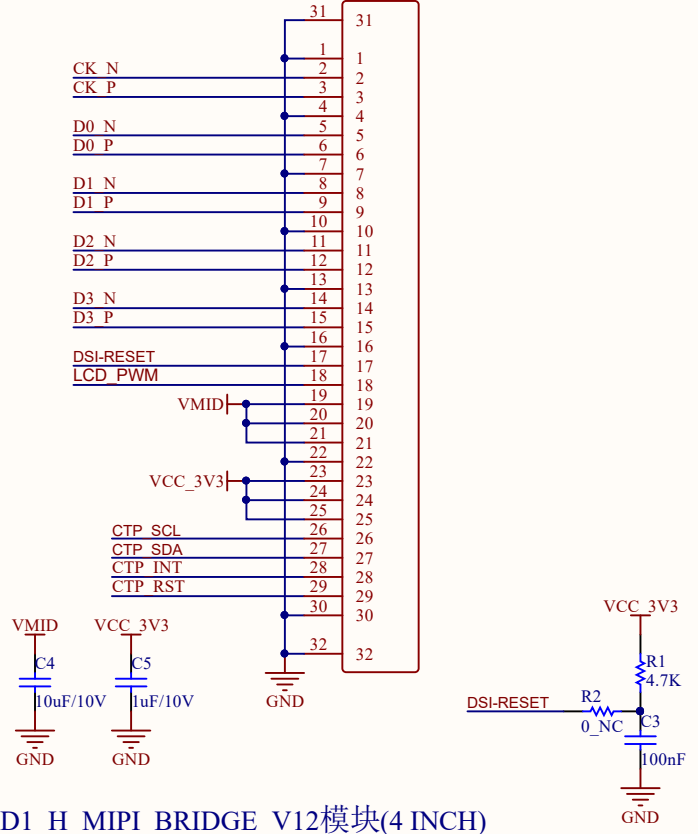


### DSI/LVDS + CTP

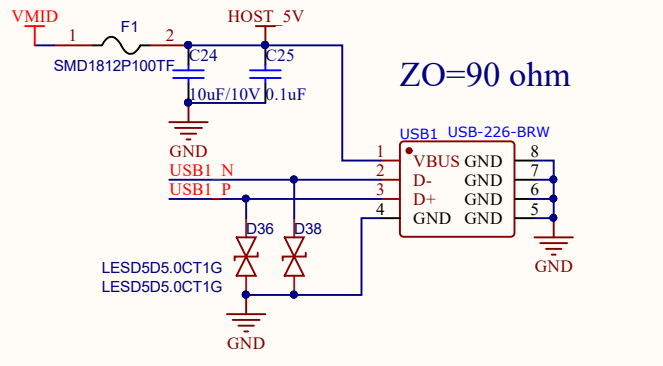
J2  
FPC30P,P=0.5mm,前插后翻盖



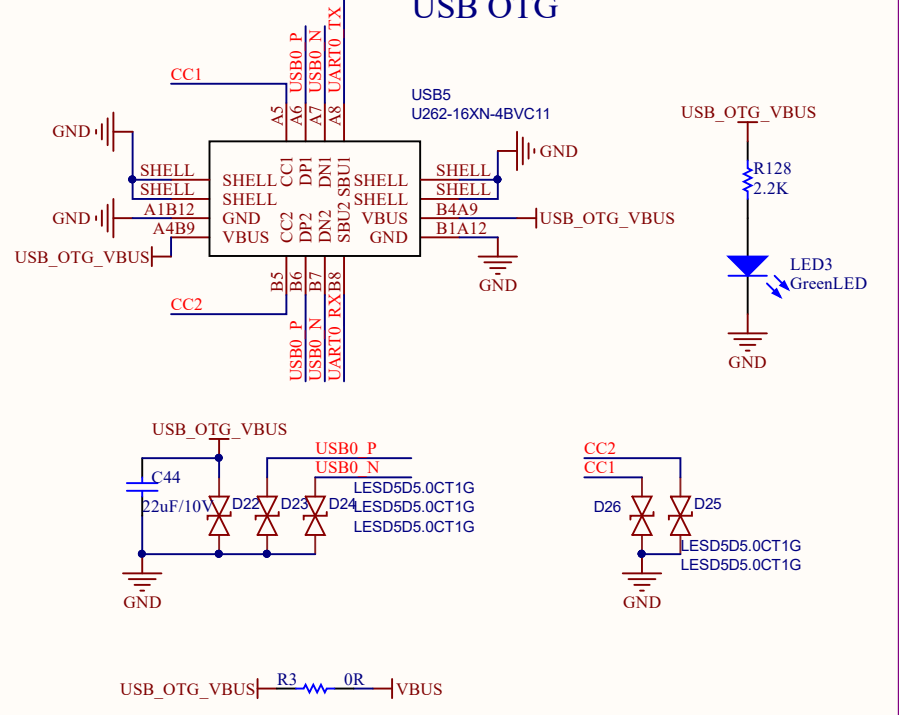
连接D1\_H\_MIPI\_BRIDGE\_V12模块(4 INCH)  
DongshanNezhaSTU-ExtendedLCD

Title		
Size A4	Number	Revision
Date: 2024/10/13	Sheet of	
File: E:\深圳百何网科技有限公司\6.LCD\RGBMIPI DSI.SchDoc		

# USB HOST TYPE-A



# USB OTG



Title		
Size	Number	Revision
A4		
Date:	2024/10/13	Sheet of
File:	E:\深圳百网网科技有限公司\1.1 USB HOST & USB0 OTG.SchDoc	

### RGMIITX Filter Network

RGMIITXD3	TXD3
RGMIITXD2	TXD2
RGMIITXD1	TXD1
RGMIITXD0	TXD0

RGMIIMDC	MDC
RGMIIMDIO	MDIO
RGMIITXCTL	TXCTL

RGMIITXCK	TXC
-----------	-----

Close to SOC  
Reserved for EMI.(optional)

### RGMIIRX Filter Network

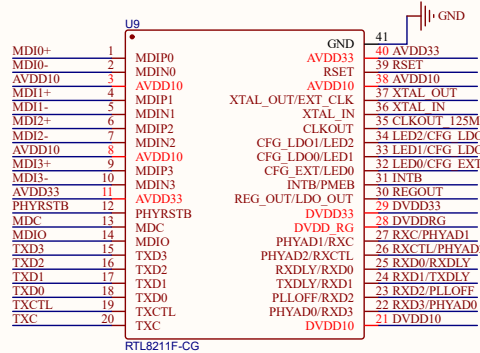
RGMIIRXD3	RXD3/PHYAD0
RGMIIRXD2	RXD2/PLLOFF
RGMIIRXD1	RXD1/TXDLY
RGMIIRXD0	RXD0/RXDLY

RGMIIRXCTL	RXCTL/PHYAD2
------------	--------------

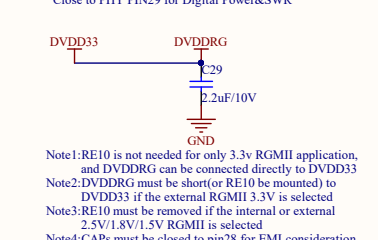
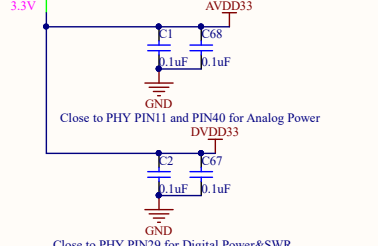
RGMIIRXCK	RXC/PHYAD1
-----------	------------

Close to PHY  
Reserved for EMI.(optional)

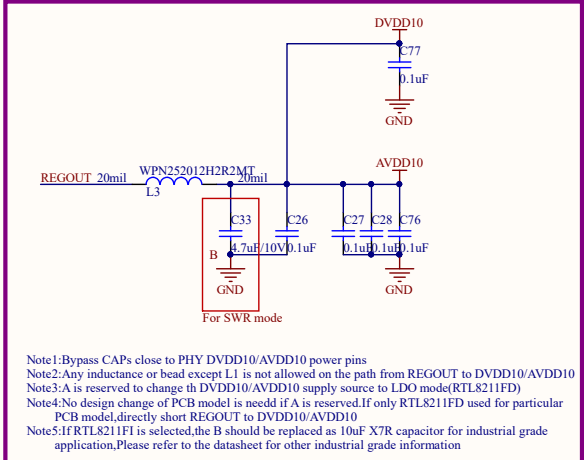
RGMIICLKIN_125M	CLKOUT_125M
-----------------	-------------



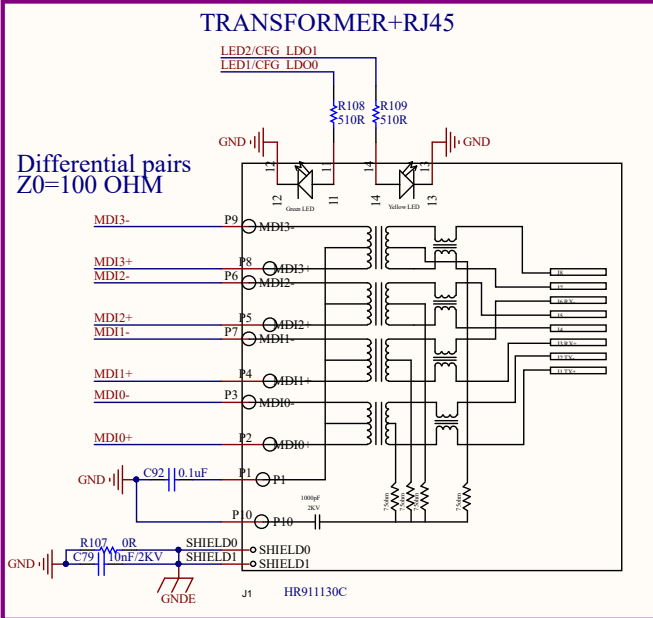
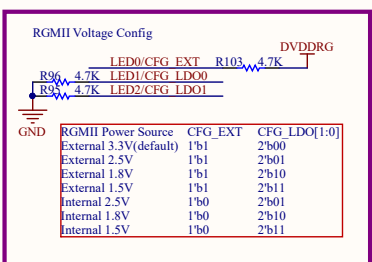
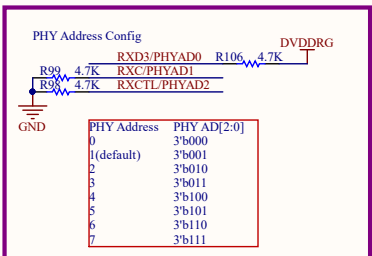
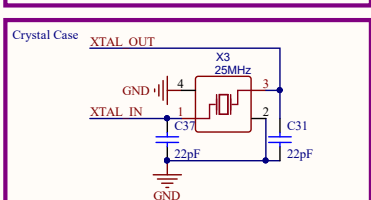
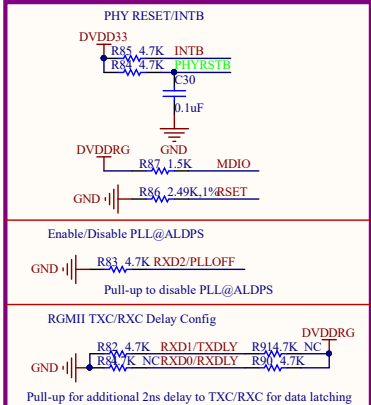
### Reserved for EMI.(optional)



Note1:RE10 is not needed for only 3.3v RGMIIT application, and DVDDRIG can be connected directly to DVDD33  
Note2:DVDDRIG must be short(or RE10 be mounted) to DVDD33 if the external RGMIIT 3.3V is selected  
Note3:RE10 must be removed if the internal or external 2.5V/1.8V/1.5V RGMIIT is selected  
Note4:CAPs must be closed to pin28 for EMI consideration

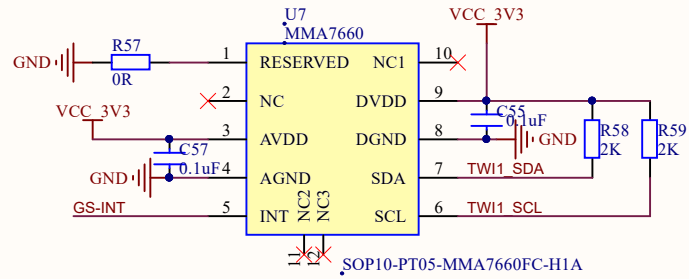


Note1:Bypass CAPs close to PHY DVDD10/AVDD10 power pins  
Note2:Any inductance or bead except L1 is not allowed on the path from REGOUT to DVDD10/AVDD10  
Note3:A is reserved to change th DVDD10/AVDD10 supply source to LDO mode(RTL8211FD)  
Note4:No design change of PCB model is need if A is reserved,if only RTL8211FD used for particular PCB model,directly short REGOUT to DVDD10/AVDD10  
Note5:If RTL8211FI is selected,the B should be replaced as 10uF X7R capacitor for industrial grade application,Please refer to the datasheet for other industrial grade information

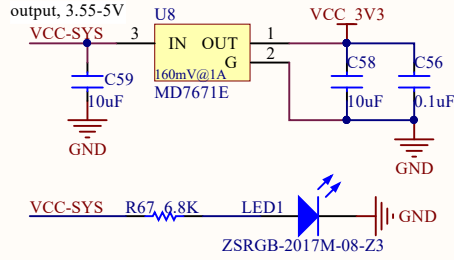


Title		
Size	Number	Revision
A3		
Date:	2024/10/13	Sheet of
File:	E:\深圳百向网络科技有限公司_V2.0\EDA\RTL8211F_SchDoc	

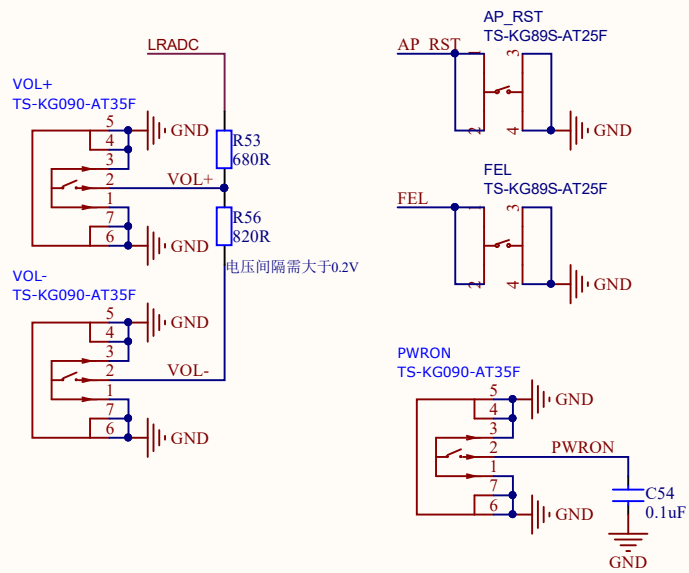
### 加速度感应



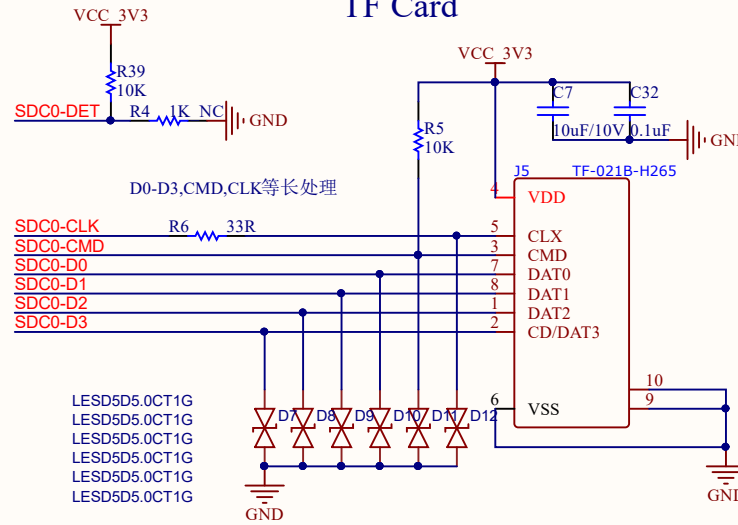
### POWER



### KEY

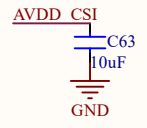
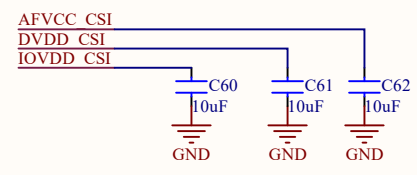
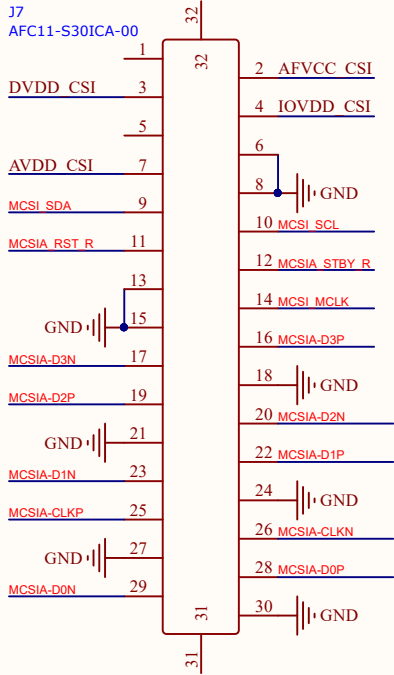


### TF Card

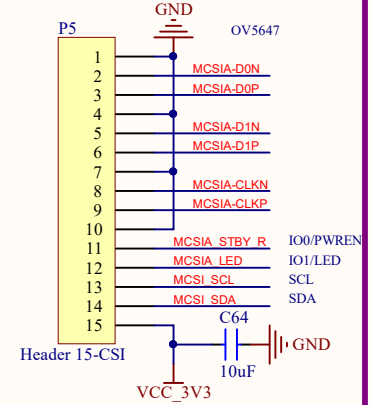


Title		
Size	Number	Revision
A4		
Date:	2024/10/13	Sheet of
File:	E:\深圳百问网科技有限公司\3.PERIPHERAL\1.SchDoc	

# CAMERA

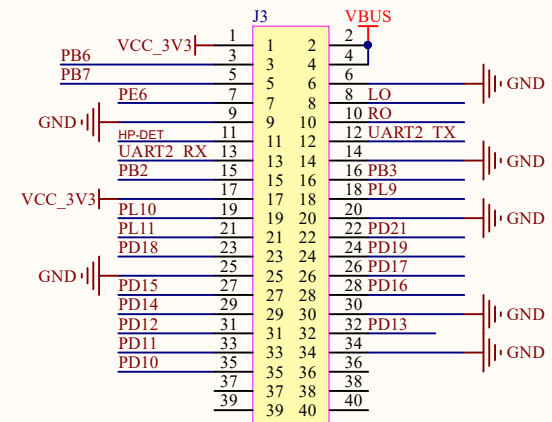


仁恒8858  
锐尔威视GC2385

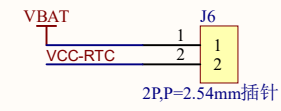


原K510底板是P=1mm, 下接

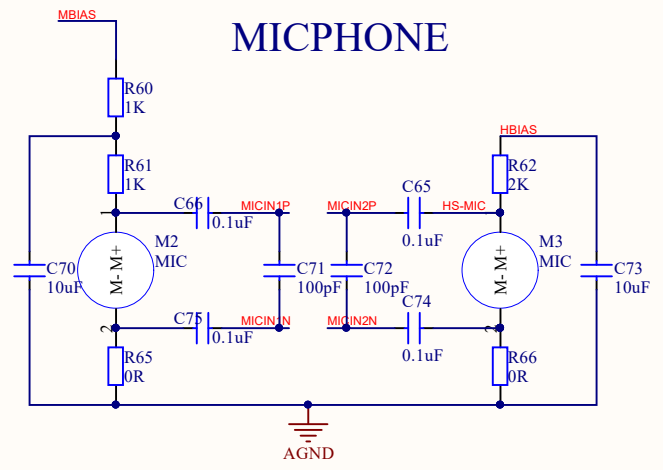
# 扩展IO



2\*20P, 2.54毫米间距双排插针

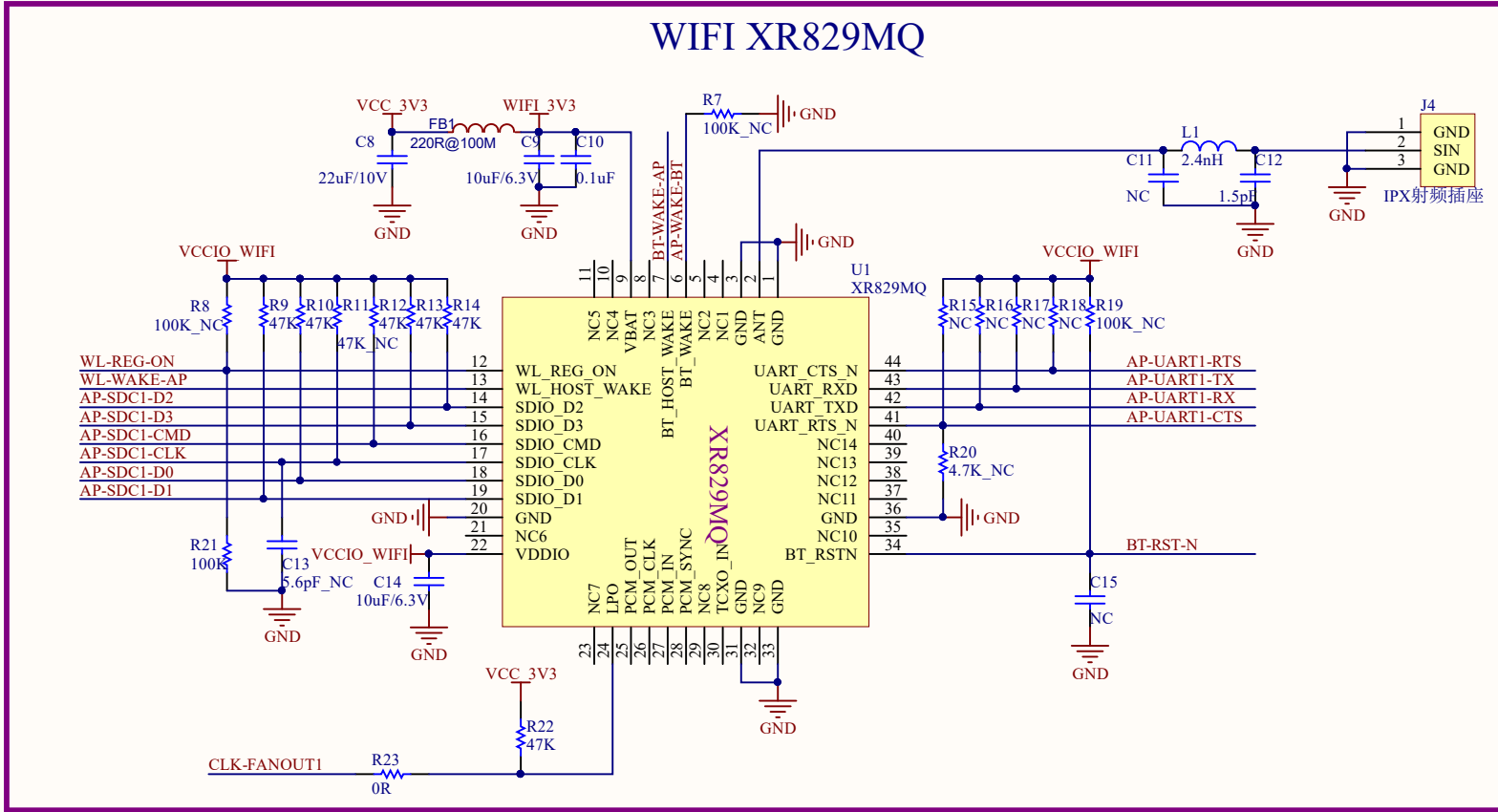


# MICPHONE

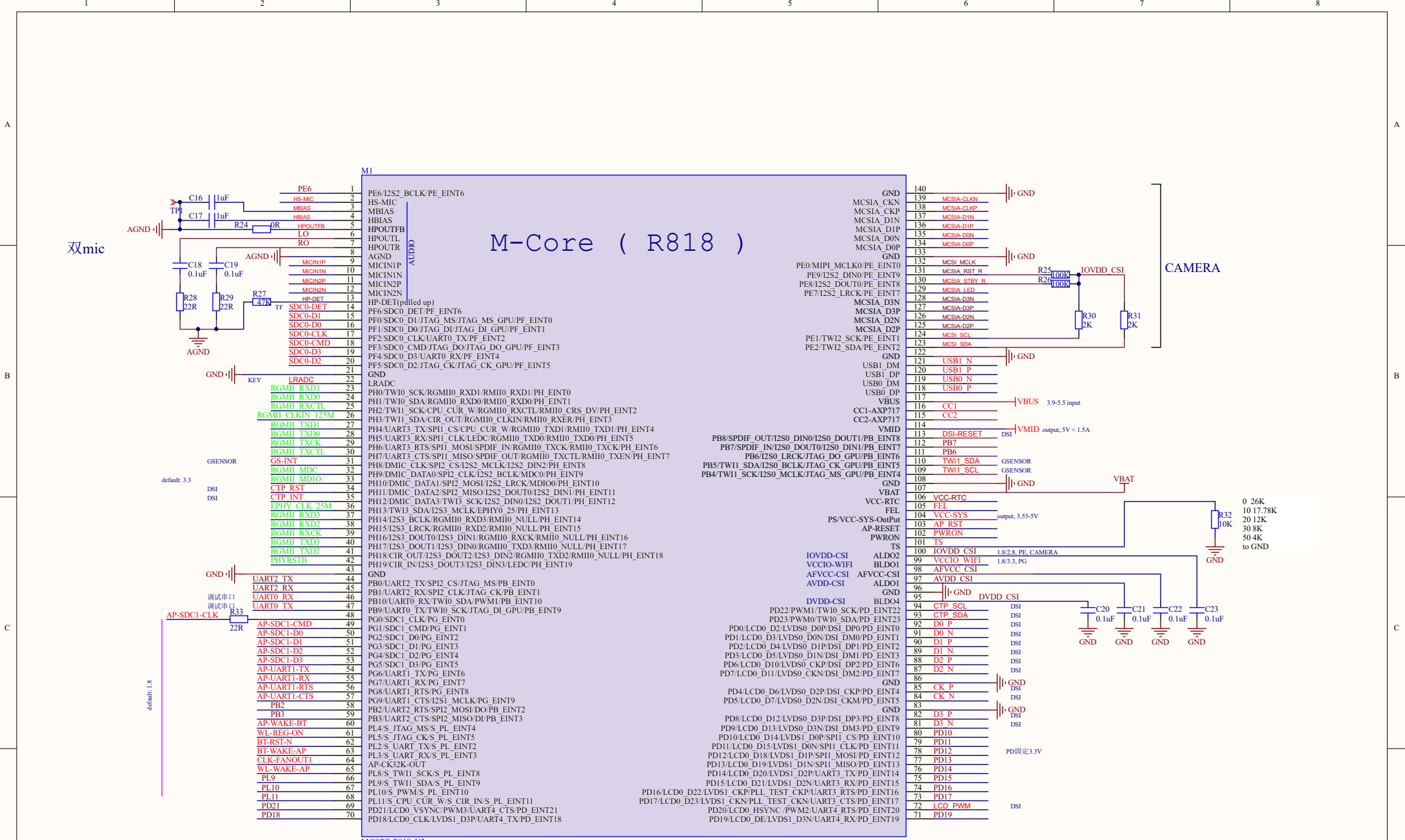


Title		
Size	Number	Revision
A4		
Date:	2024/10/13	Sheet of
File:	E:\深圳百问网络科技有限公司\4.CAMERA&EXPAND IO.SchDoc	

# WIFI XR829MQ



Title		
Size	Number	Revision
A4		
Date:	2024/10/13	Sheet of
File:	E:\深圳百问网科技有限公司\5.WIFI\1.5.WIFI\1.5.WIFI.DOC	



# M-Core ( R818 )

- 1.8V PL PG PC
- 3.3V PB PH PF
- 1.8/3.3V PD
- 1.8/2.8V PE

Title		
Size	Number	Revision
A3		
Date:	2024/10/13	Sheet of
File:	E:\深圳百向网络科技有限公司\7.mCore\Bom\Bom.Dwg	