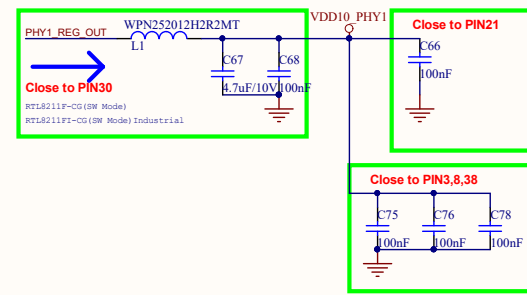
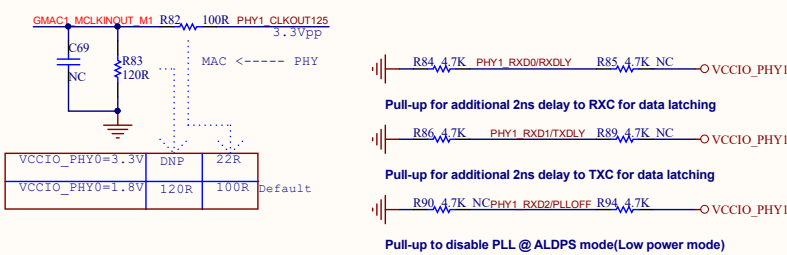
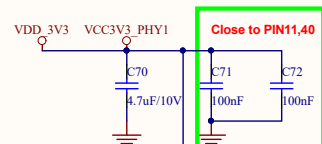
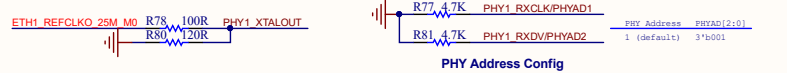
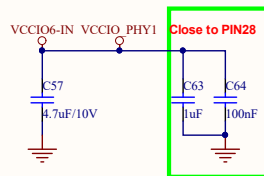
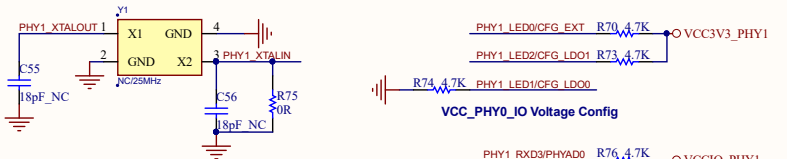
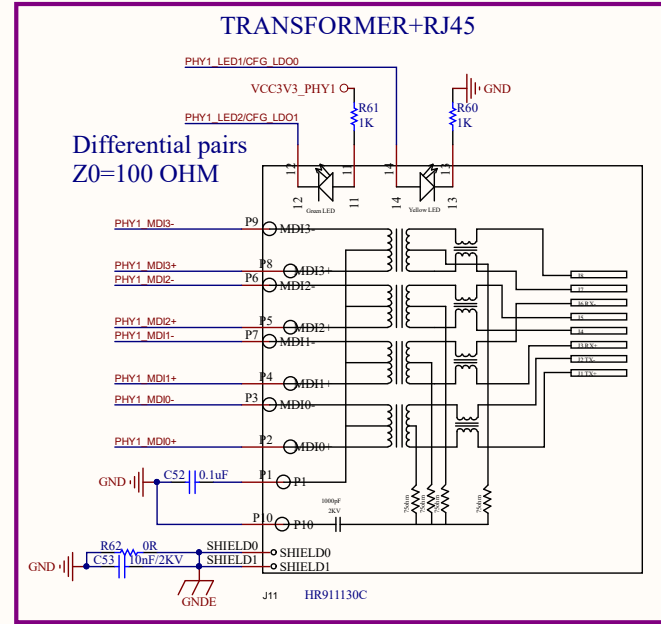
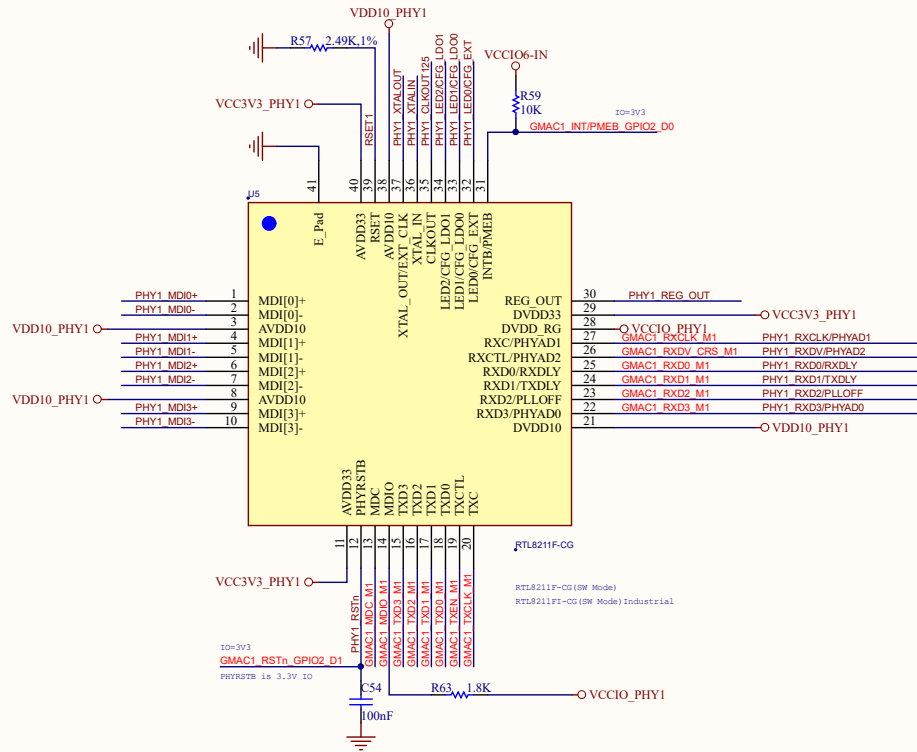


RMII Power Source	IO MUX	IO LDO[1:0]
External 3.3V	'b1	'b00
External 1.8V (default)	'b1	'b10
Internal 1.8V	'b0	'b10

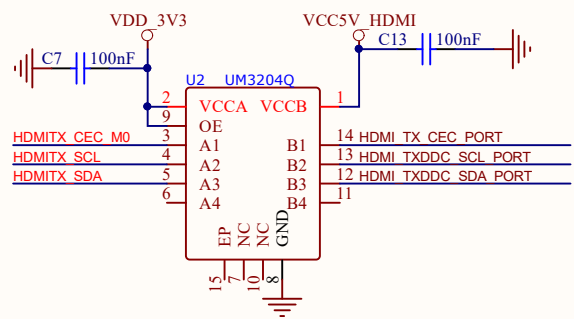
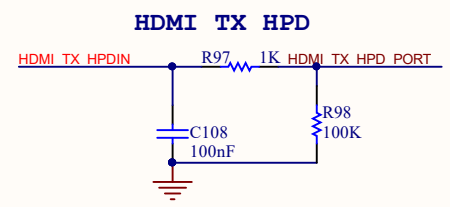
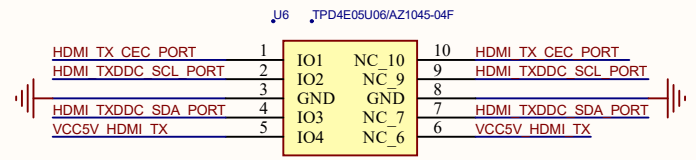
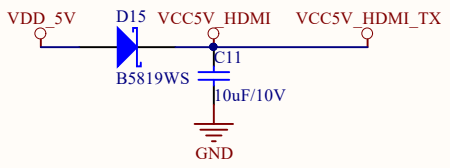
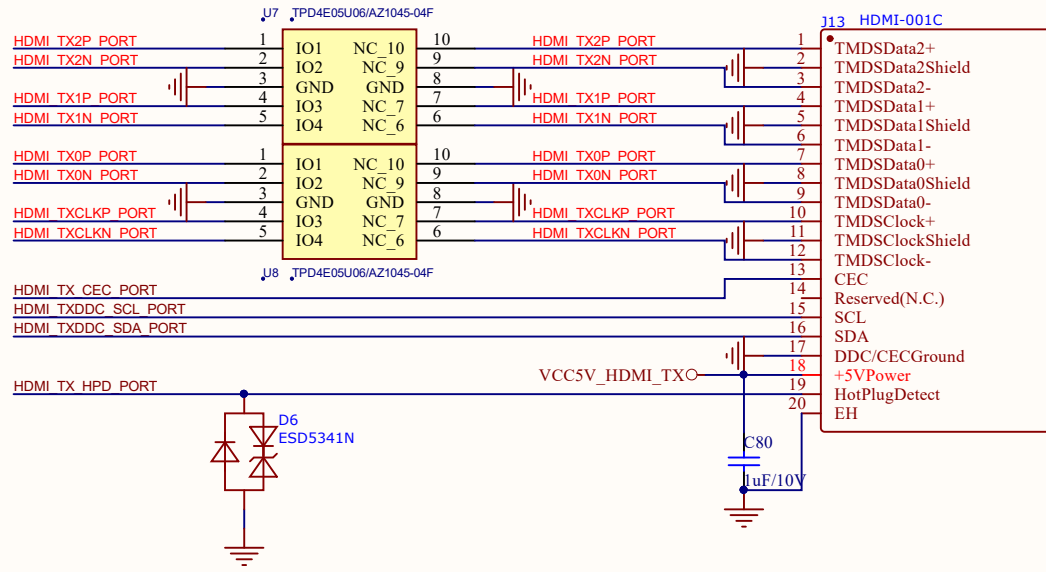
Title		
Size	Number	Revision
A3		
Date:	2025/6/18	Sheet of
File:	E:\深圳百问网络科技有限公司\GMAC0\sheet3y	



REG11 Power Source	CFG_EXT	CFG_LDO[1:0]
External 3.3V	1'b1	2'b00
External 1.8V (default)	1'b1	2'b10
Internal 1.8V	1'b0	2'b10

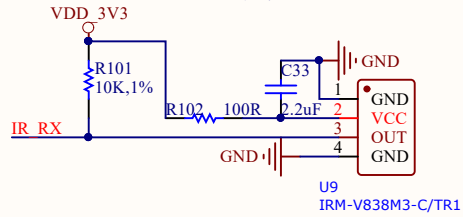
Title		
Size	Number	Revision
A3		
Date:	2025/6/18	Sheet of
File:	E:\深圳百向网络科技有限公司\GMAC1\Design\	

Cj<=0.4pF

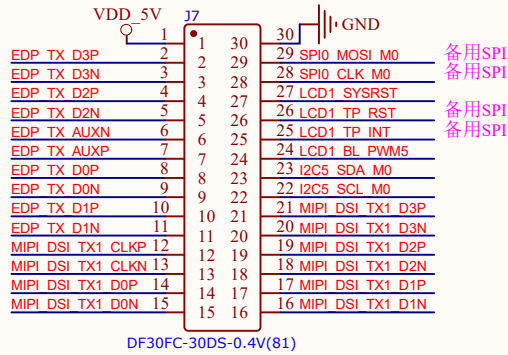


Title		
Size	Number	Revision
A4		
Date:	2025/6/18	Sheet of
File:	E:\深圳百问网科技有限公司\..HDMI SchDoc\By:	

红外接收头

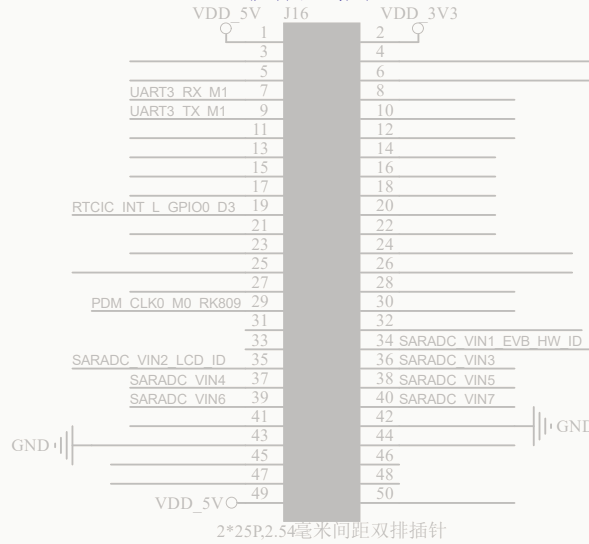


扩展MIPI DSI+EDP视频接口



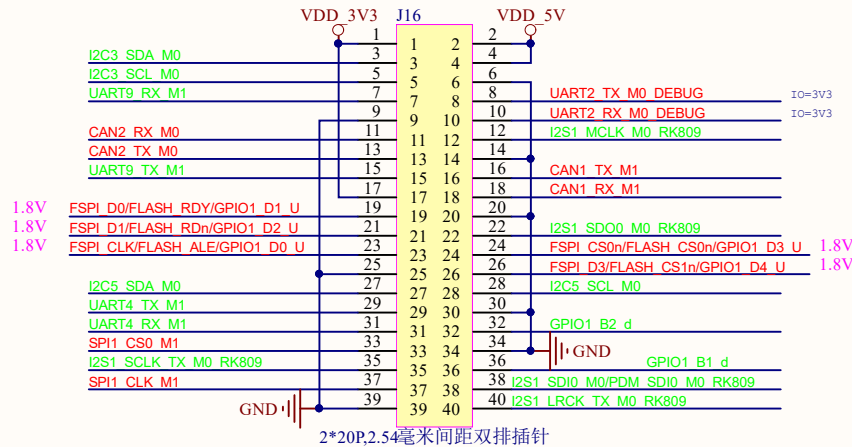
DF30FC-30DS-0.4V(81)

扩展IO插座



2*25P,2.54毫米间距双排插针

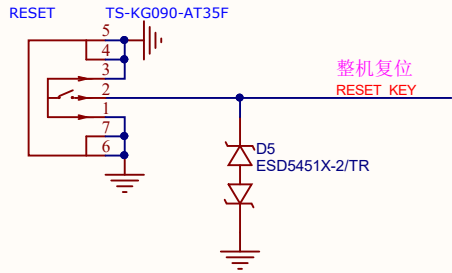
扩展IO插座



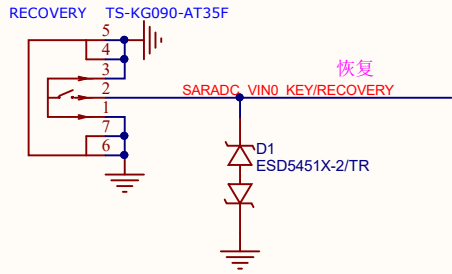
2*20P,2.54毫米间距双排插针

Title		
Size	Number	Revision
A4		
Date:	2025/6/18	Sheet of
File:	E:\深圳百问网科技有限公司\..IR&EXPANDED IO.SchDoc	

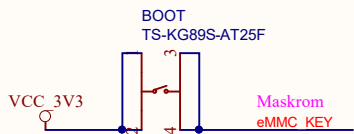
RESET



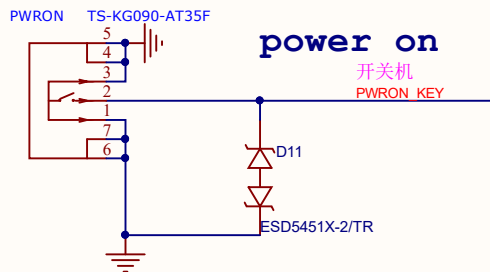
RECOVERY



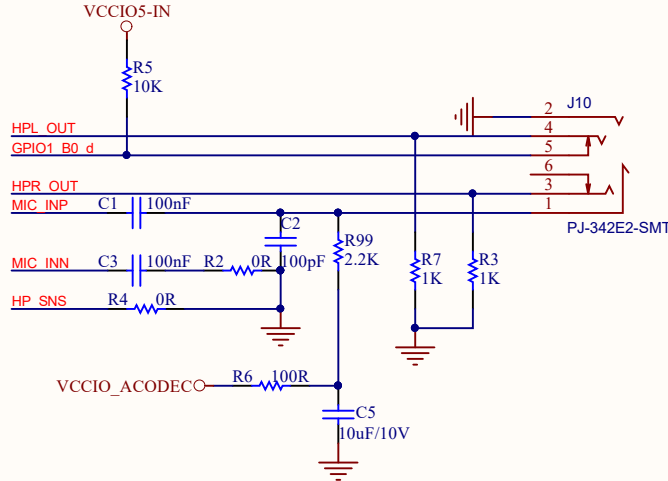
MaskRom



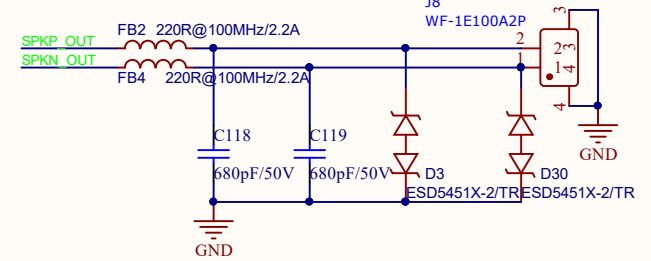
power on



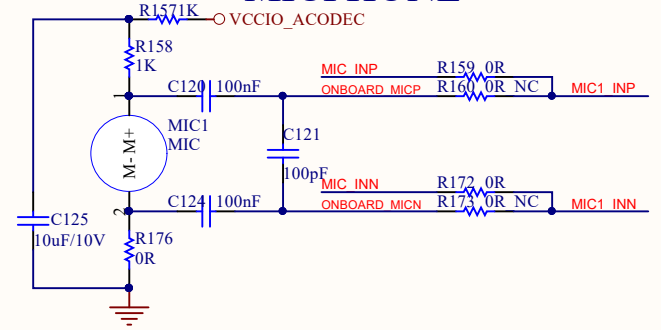
AUDIO 3.5mm插座



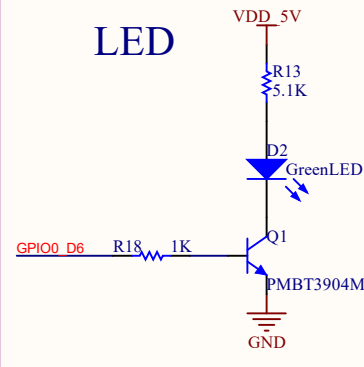
SPEAKER



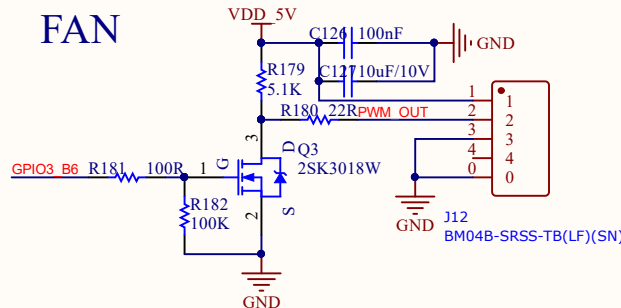
MICPHONE



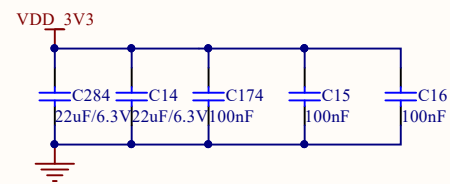
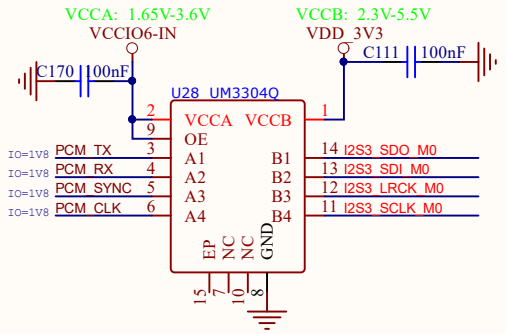
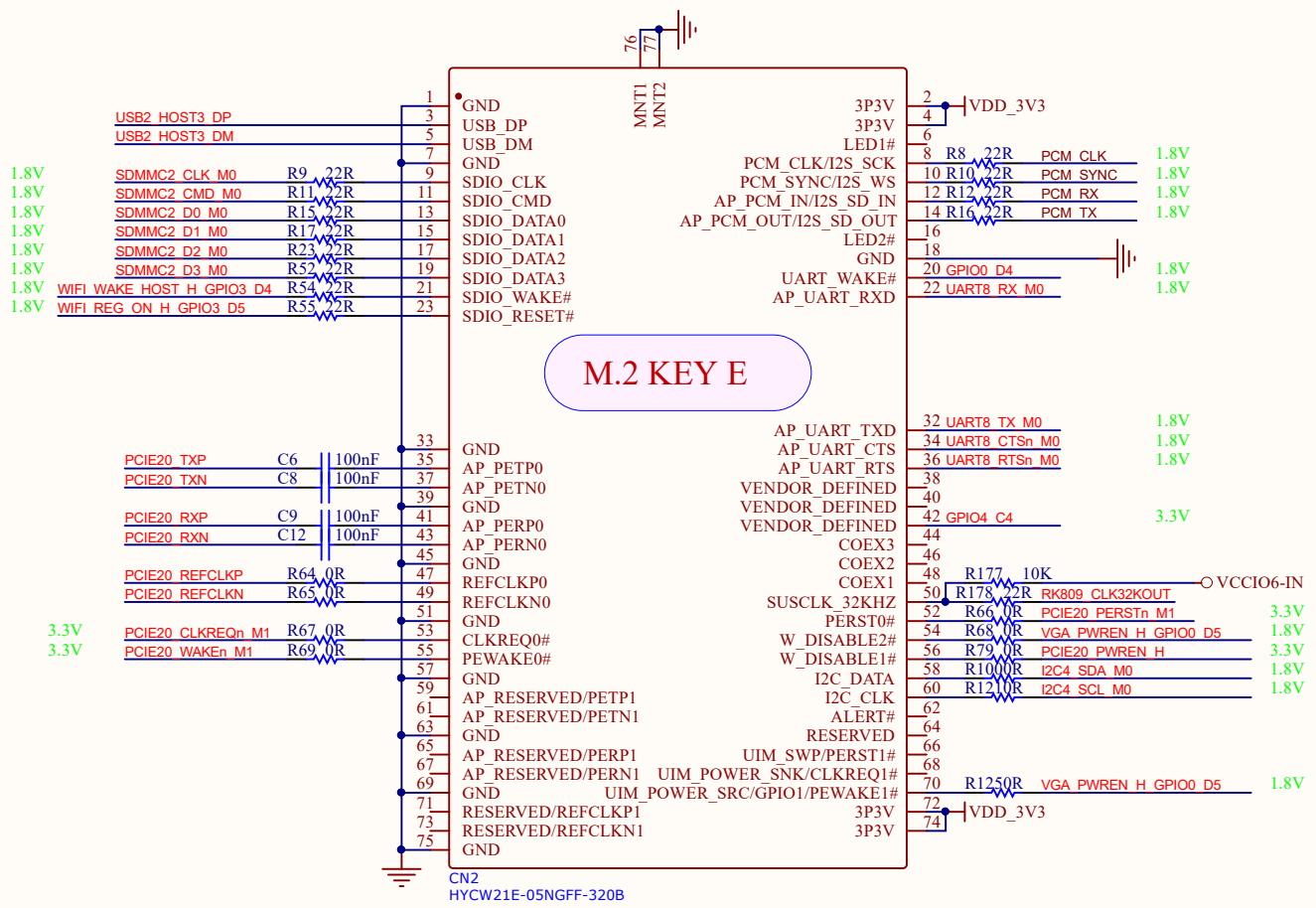
LED



FAN



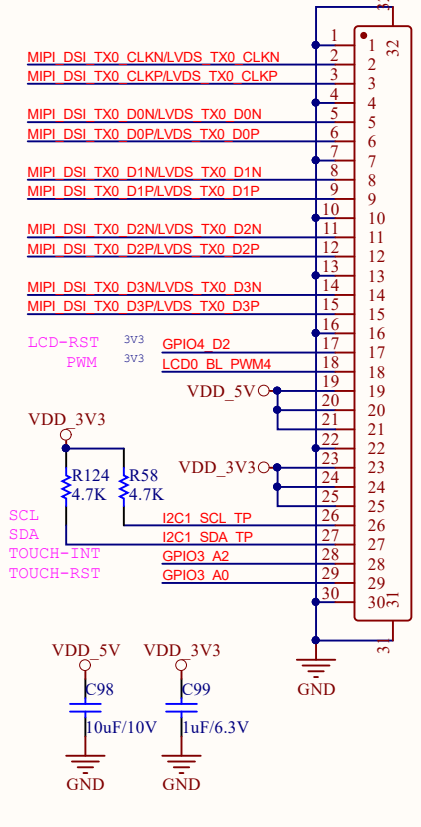
Title		
Size	Number	Revision
A4		
Date:	2025/6/18	Sheet of
File:	E:\深圳百问网科技有限公司\KEY&DRIVE\KEY&DRIVE\AUDIO&LED.SchDoc	



Title		
Size	Number	Revision
A4		
Date:	2025/6/18	Sheet of
File:	E:\深圳百问网科技有限公司\...M2 KEY E\WB1.SchDoc	

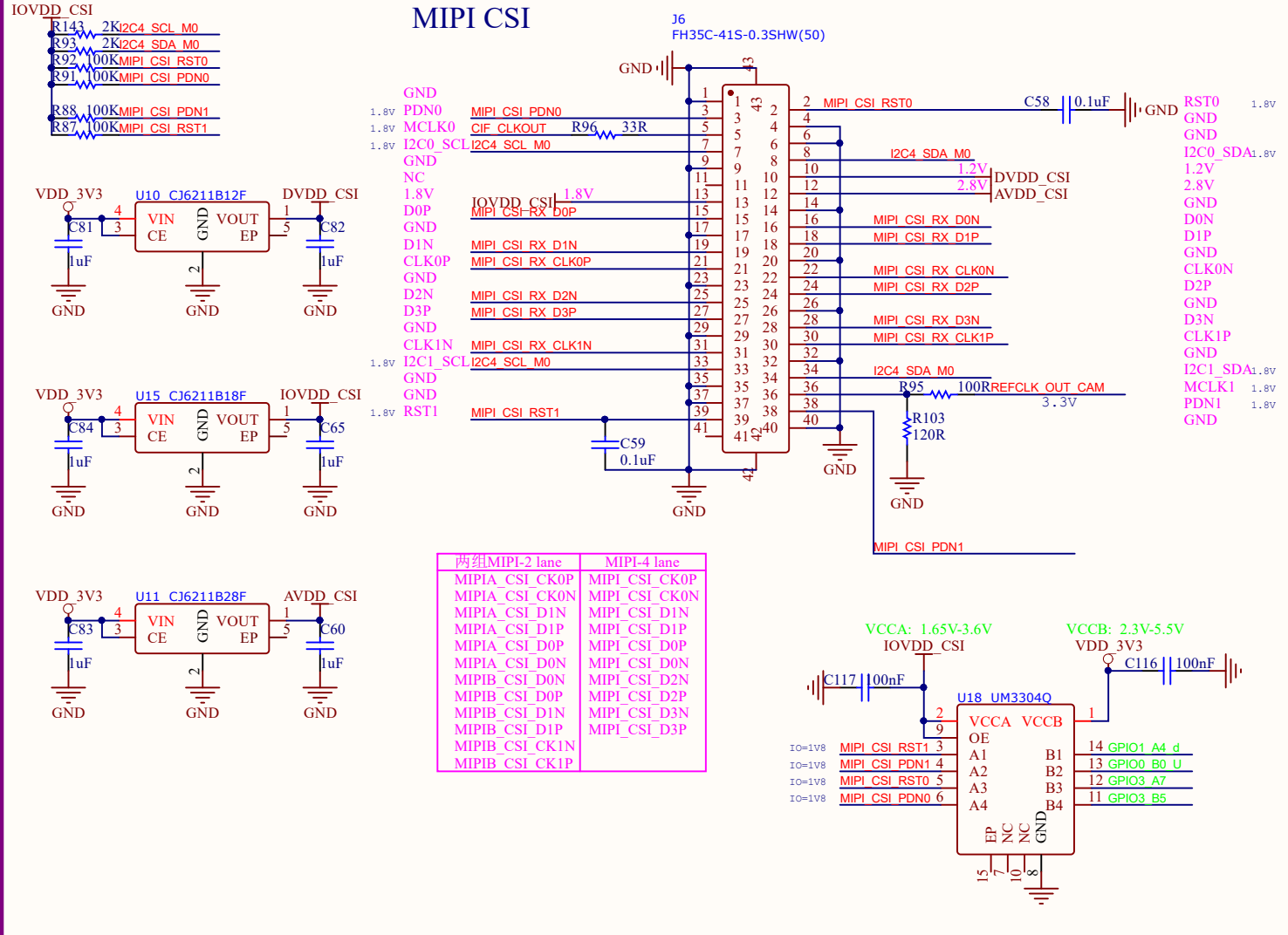
MIPI DSI/LVDS LCD

J3
HC-FPC-05-09-30RLTAG



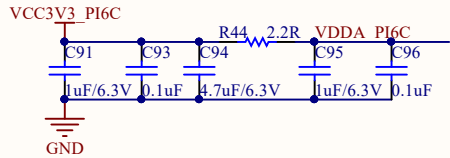
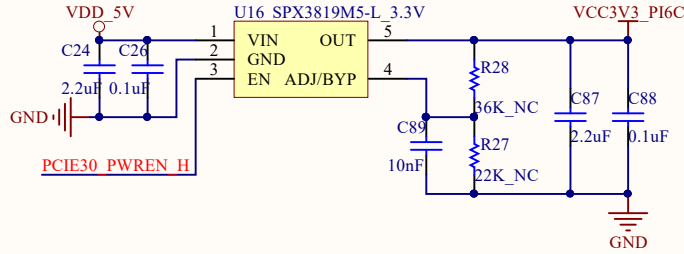
MIPI CSI

J6
FH35C-41S-0.35HW(50)

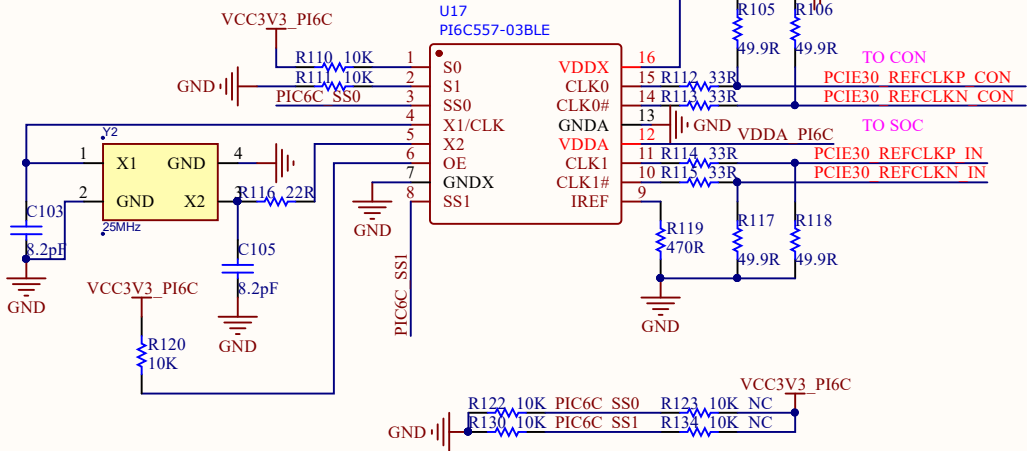


Title		
Size	Number	Revision
A4		
Date:	2025/6/18	Sheet of
File:	E:\深圳百问网络科技有限公司\MIPI DSI&LVDS\MIPI_CSI.SchDoc	

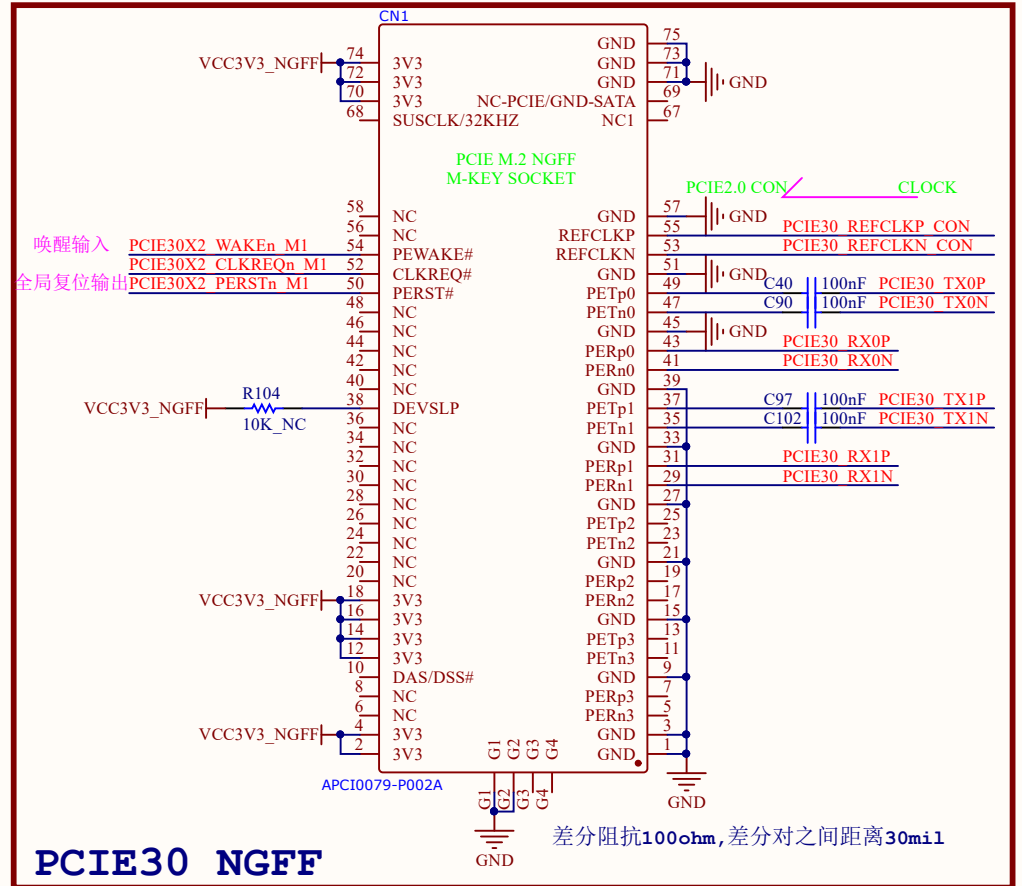
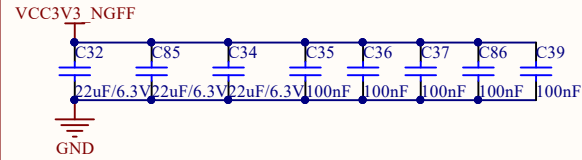
时钟芯片电源



Out Select			Spread Select		
S1	S0	CLK(MHz)	SS1	SS0	Spread Select
0	0	25	0	0	No Spread
0	1	100	0	1	Down-0.5
1	0	125	1	0	Down-0.75
1	1	200	1	1	No Spread



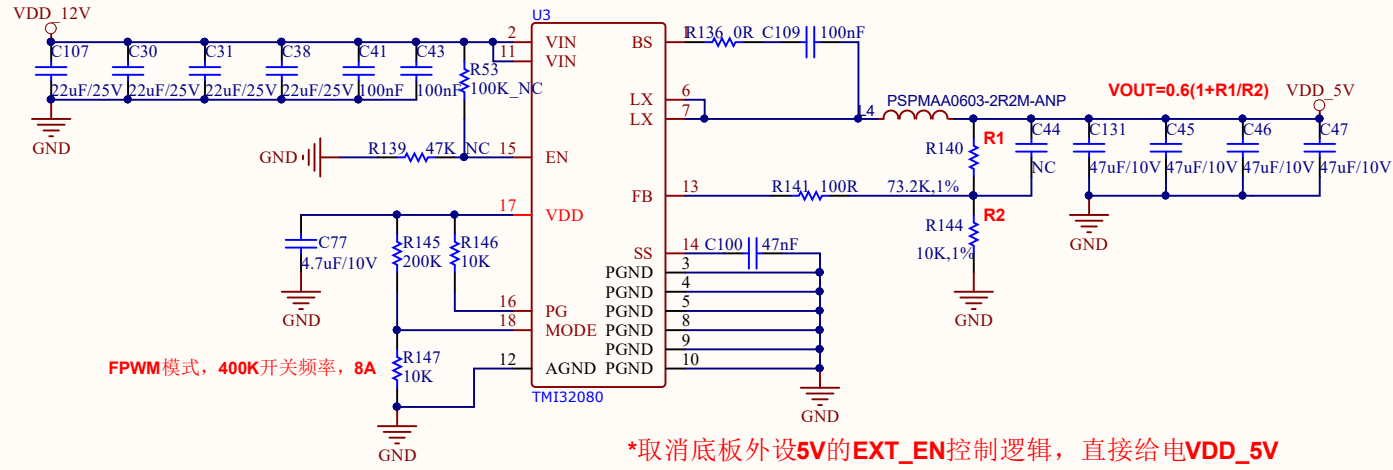
Decouple



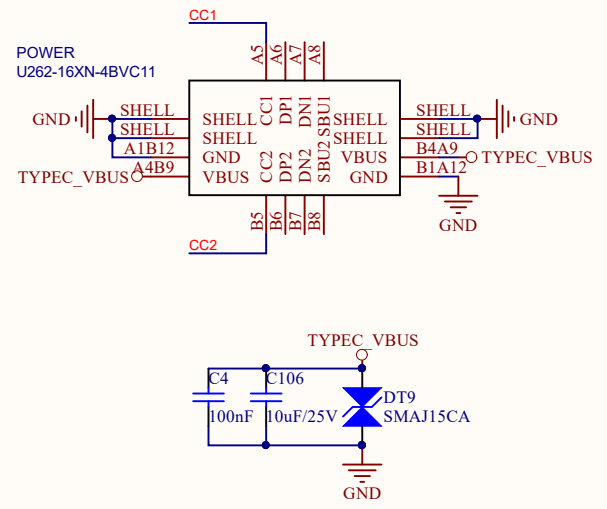
PCIE30 NGFF

Title		
Size	Number	Revision
A4		
Date:	2025/6/18	Sheet of
File:	E:\深圳百何网科技有限公司\PCIE30\PCIE30_03.sch	

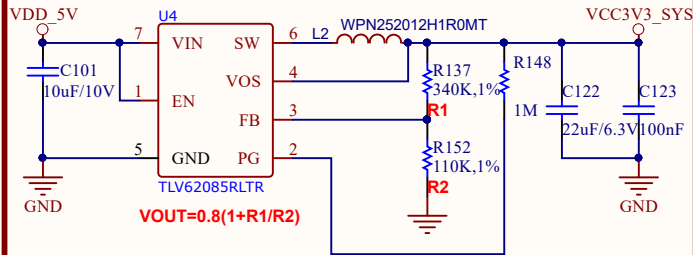
DC12V-DC5V



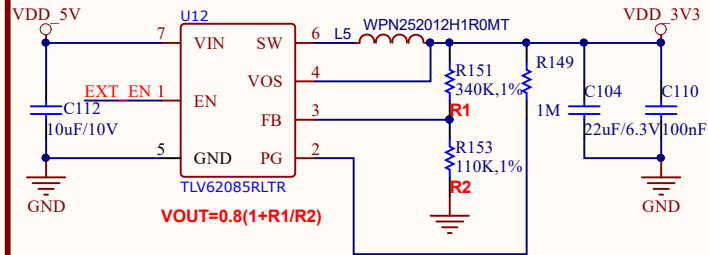
POWER_PD



核心板3.3V



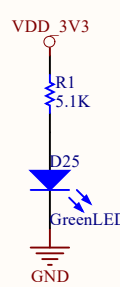
底板外设3.3V



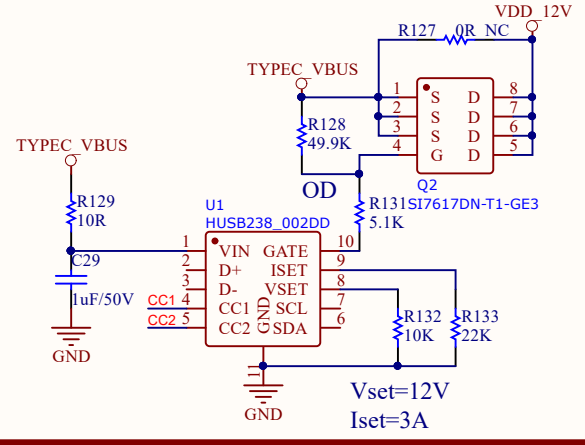
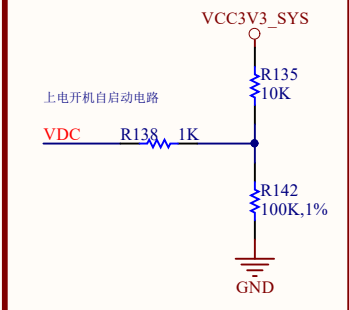
PCIE NGFF POWER



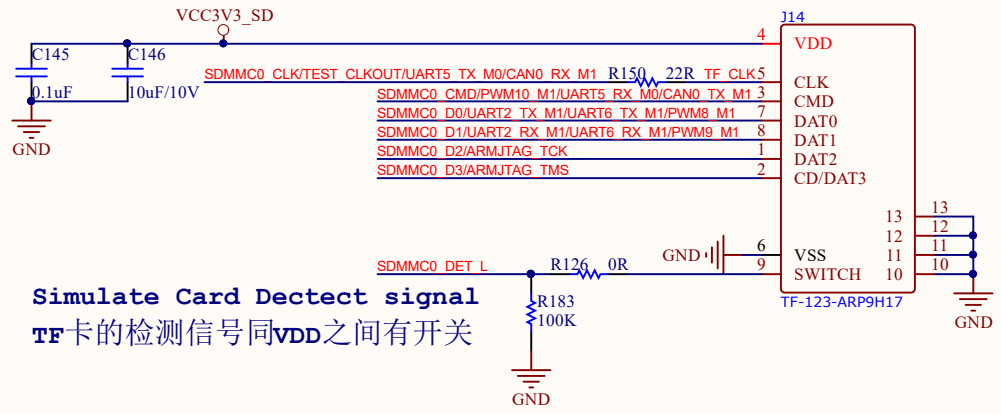
LED指示



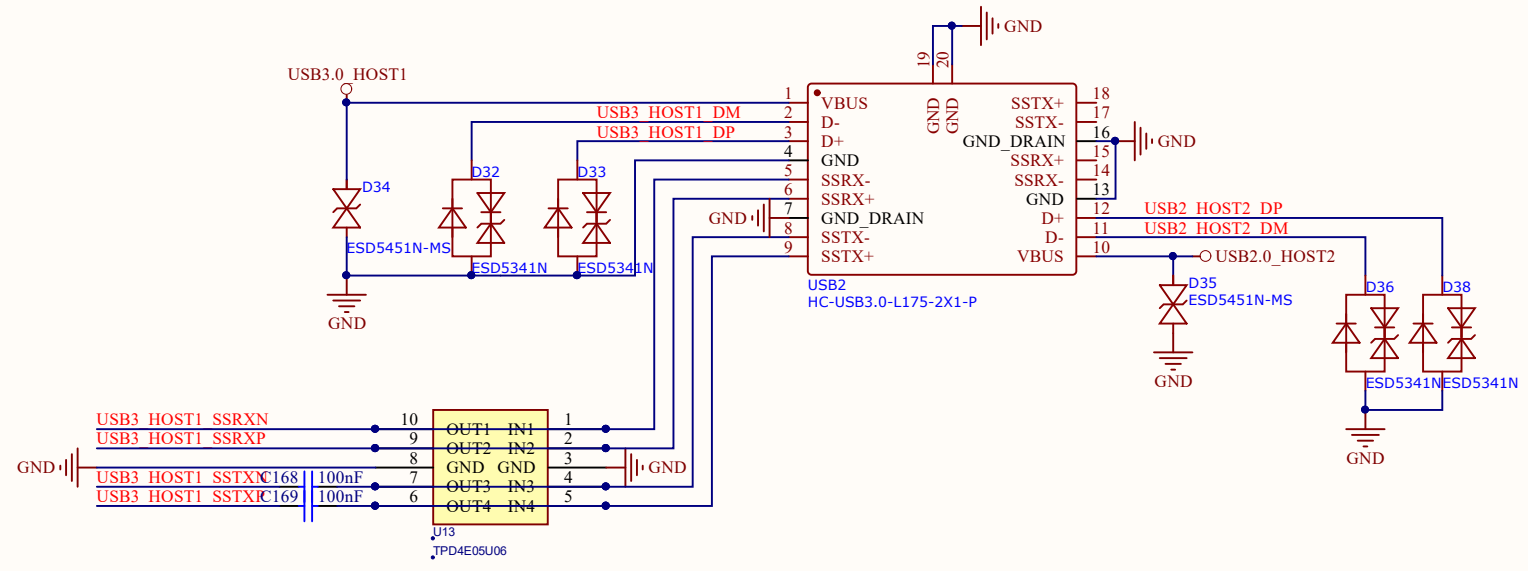
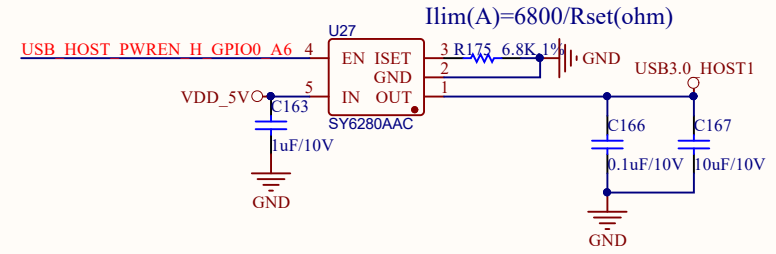
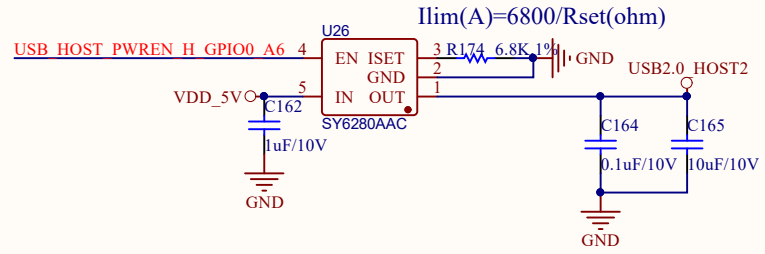
VCC3V3_SYS



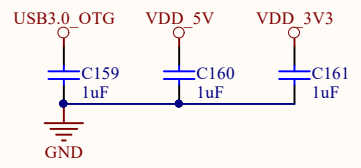
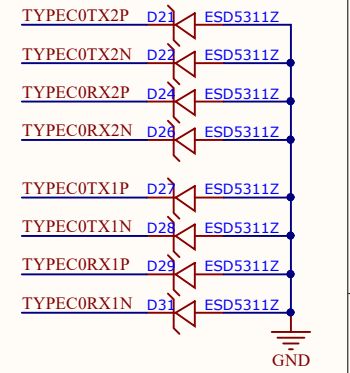
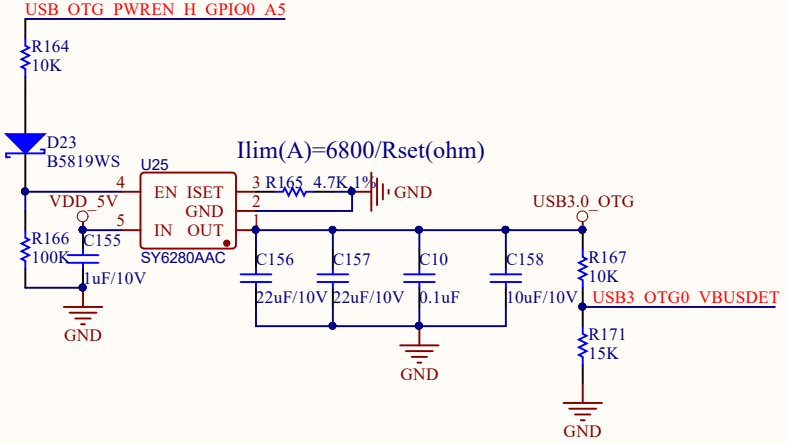
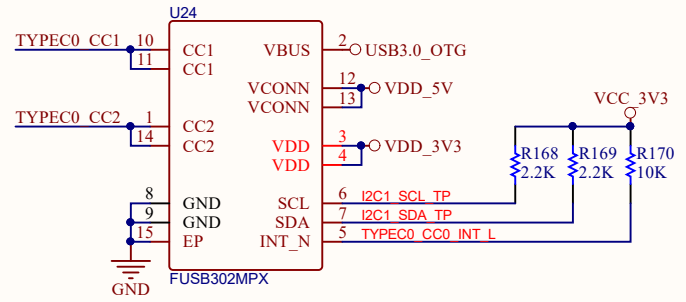
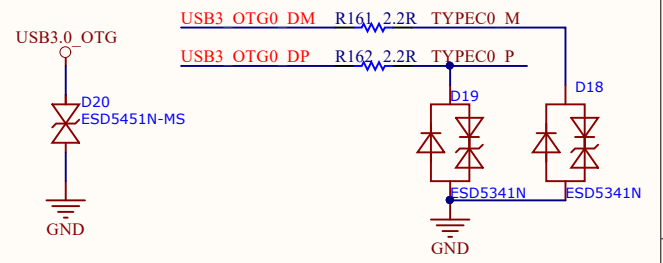
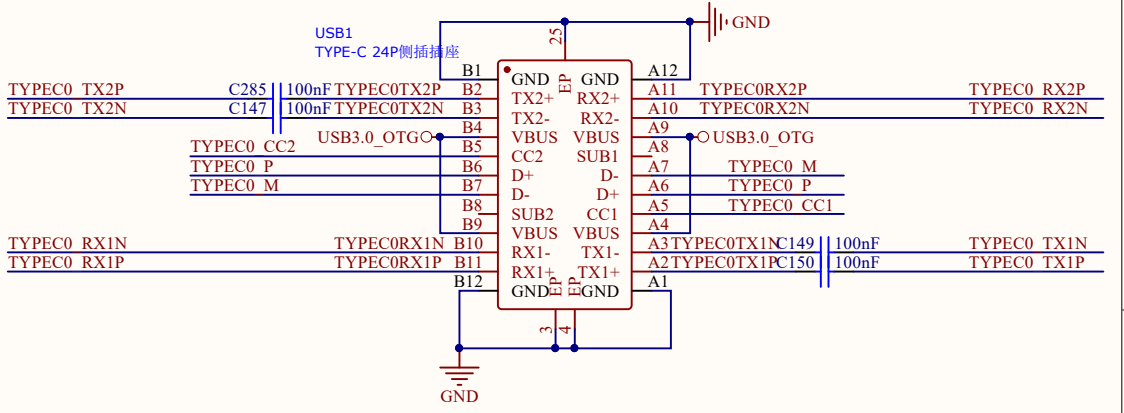
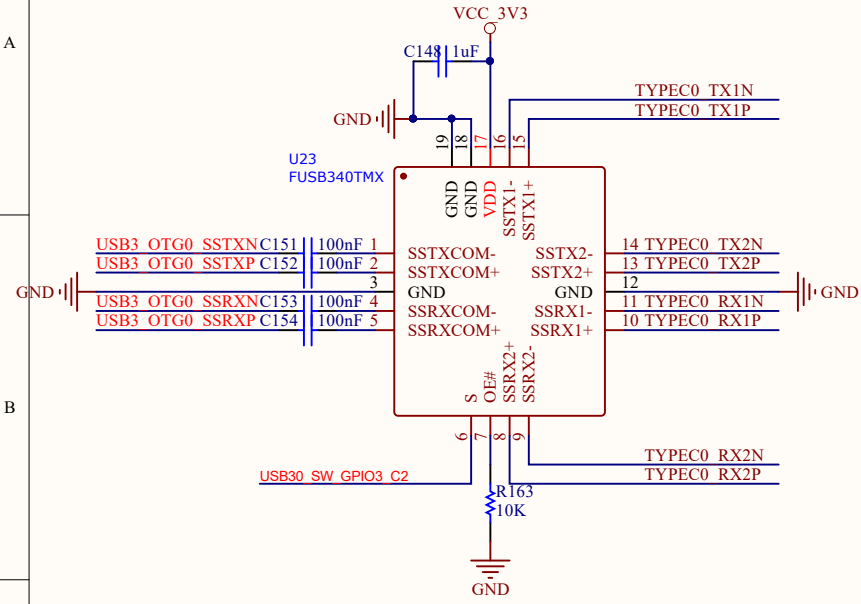
Title		
Size	Number	Revision
A4		
Date:	2025/6/18	Sheet of
File:	E:\深圳百问网络科技有限公司\POWER_SchDoc\	



Title		
Size	Number	Revision
A4		
Date:	2025/6/18	Sheet of
File:	E:\深圳百问网科技有限公司\TF Card\Doc	



Title		
Size	Number	Revision
A4		
Date:	2025/6/18	Sheet of
File:	E:\深圳百问网科技有限公司\..USB HOST1.SchDoc	



Title		
Size	Number	Revision
A4		
Date:	2025/6/18	Sheet of
File:	E:\深圳百问网络科技有限公司\USB3.0\066_SchDoc	