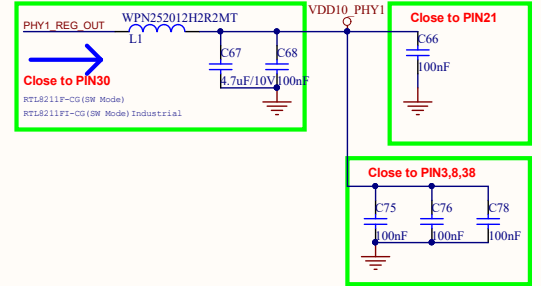
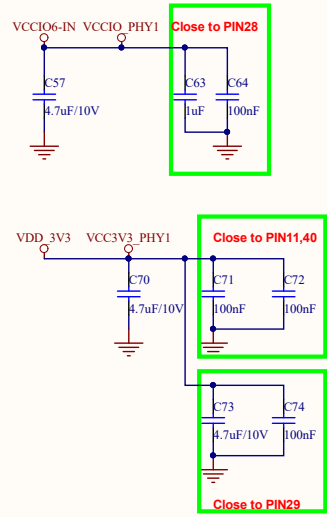
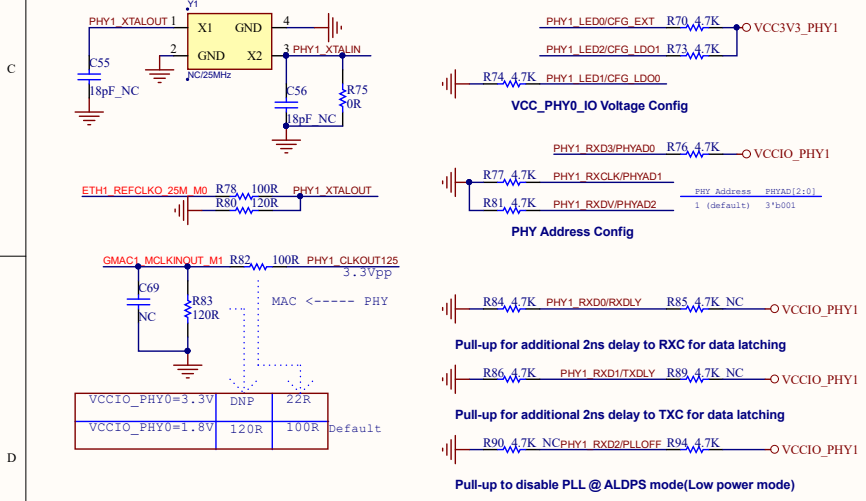
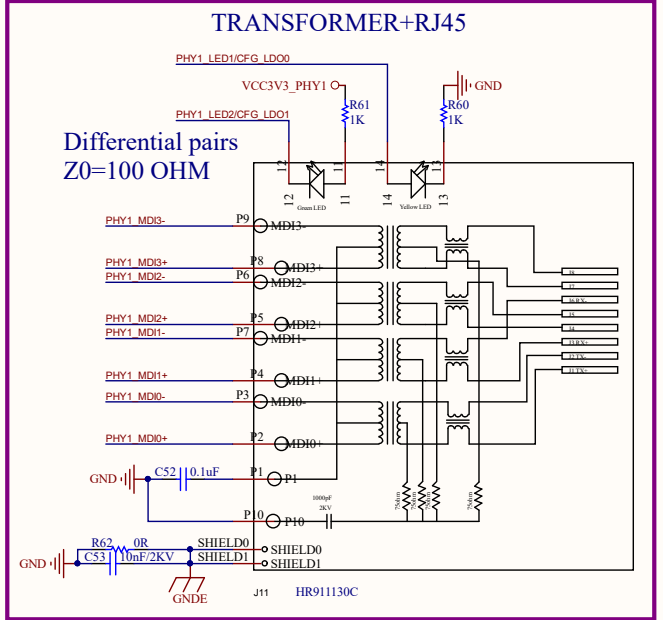
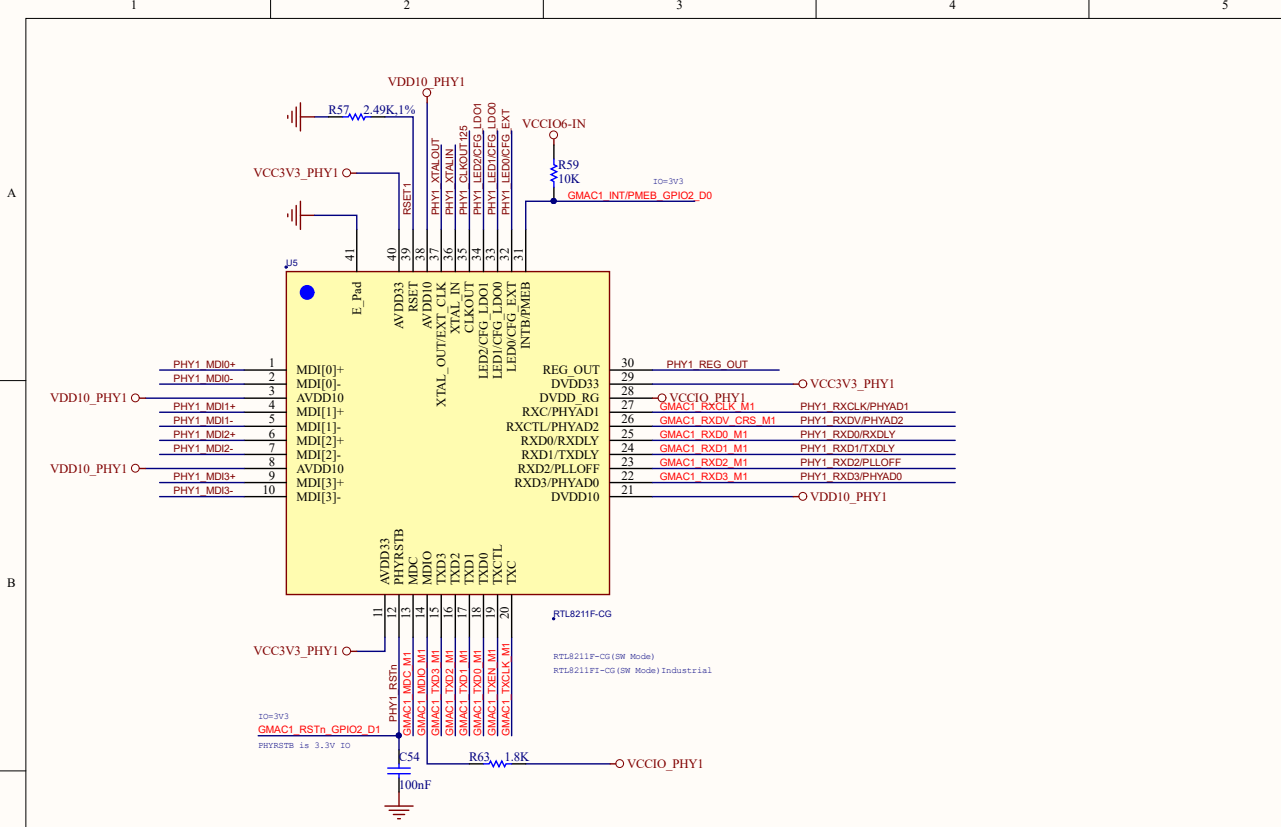
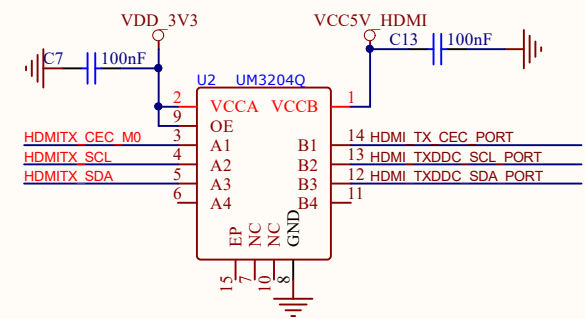
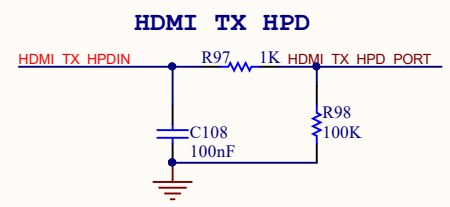
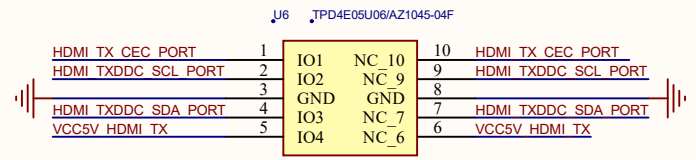
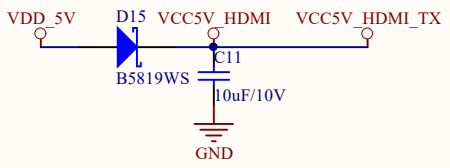
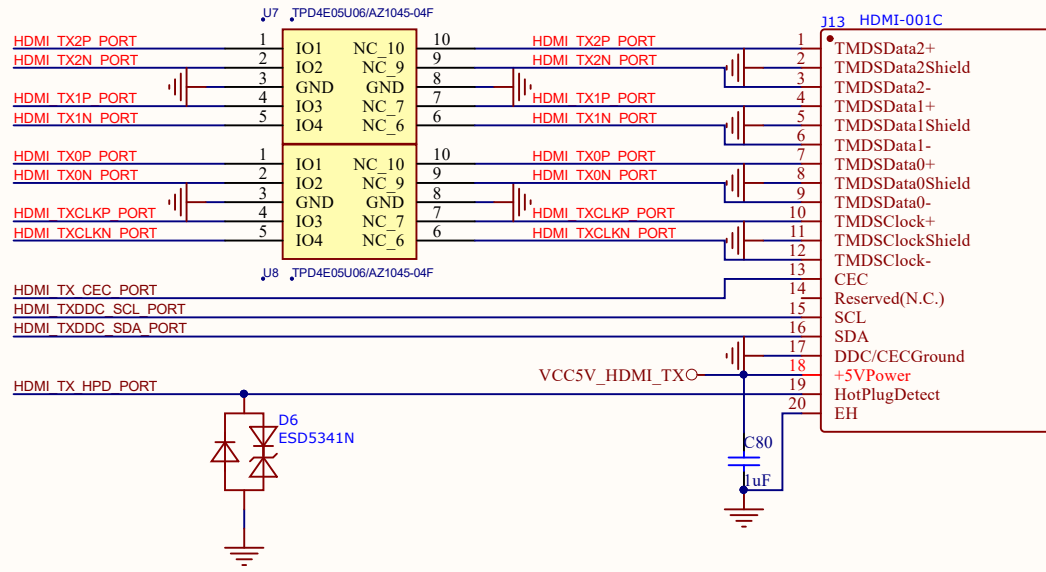


Title		
Size	Number	Revision
A3		
Date:	2024/11/7	Sheet of
File:	E:\深圳百问网络科技有限公司\GMAC0\Sheet3y	



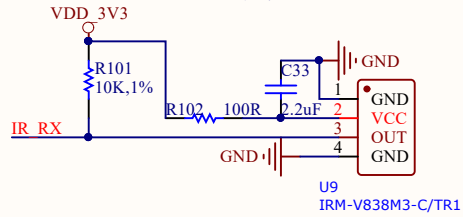
Title		
Size	Number	Revision
A3		
Date:	2024/11/7	Sheet of
File:	E:\深圳百问网络科技有限公司\GMAC1\phy1\phy1	

Cj<=0.4pF

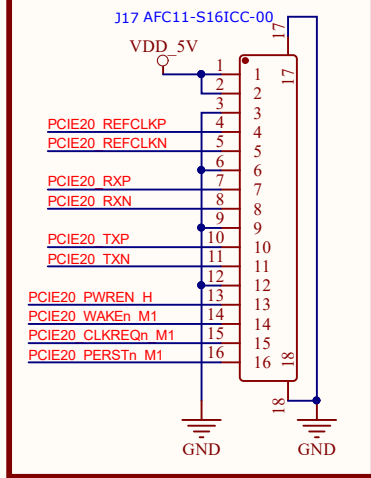


Title		
Size	Number	Revision
A4		
Date:	2024/11/7	Sheet of
File:	E:\深圳百问网科技有限公司\..HDMI_SchDoc\By:	

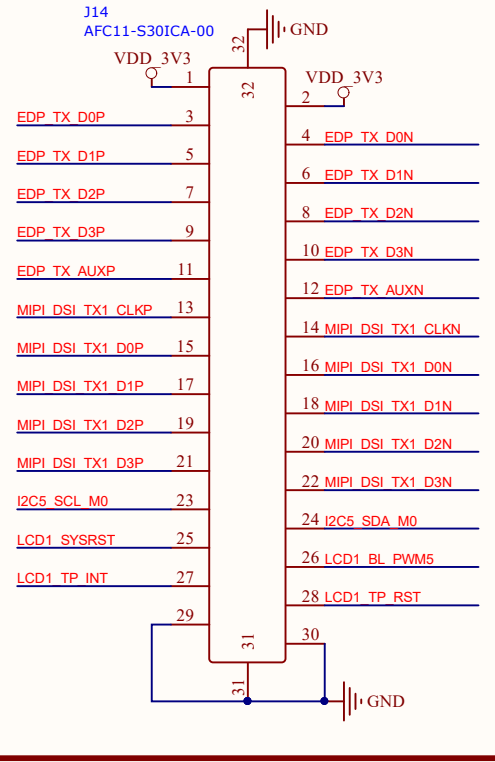
红外接收头



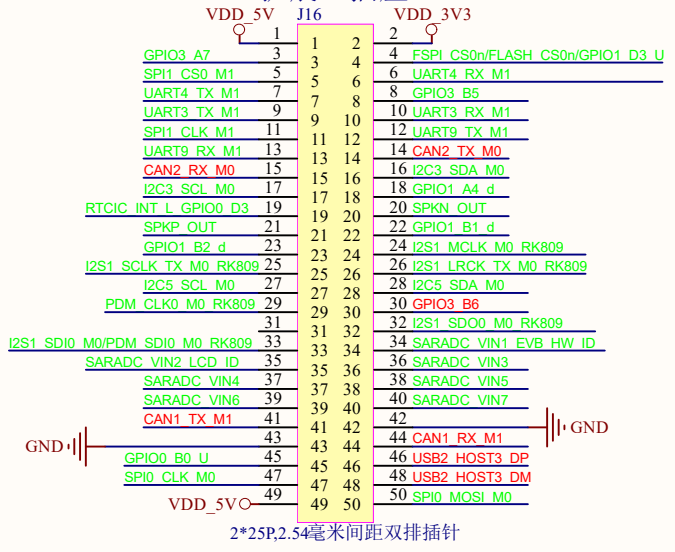
扩展PCIE20接口



扩展MIPI DSI+EDP视频接口

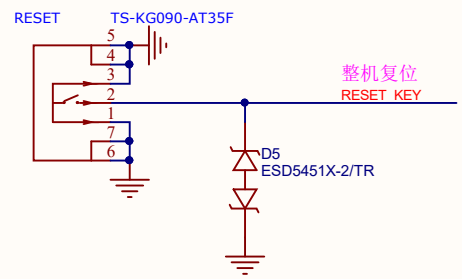


扩展IO插座

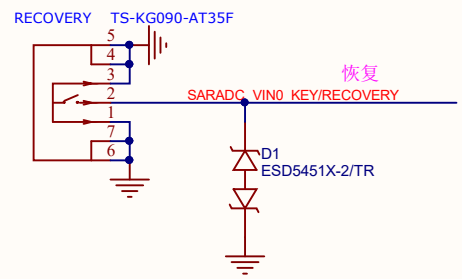


Title		
Size	Number	Revision
A4		
Date:	2024/11/7	Sheet of
File:	E:\深圳百问网科技有限公司\IR&EDP\BIO.SchDoc	

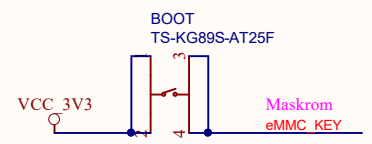
RESET



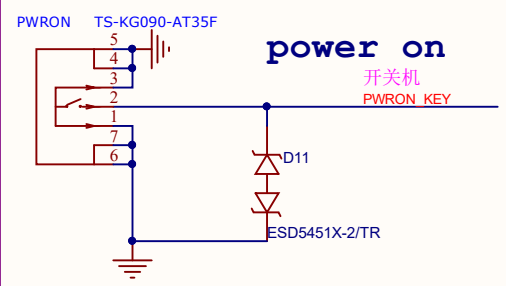
RECOVERY



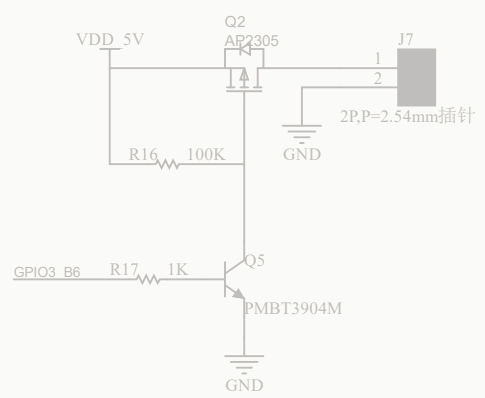
MaskRom



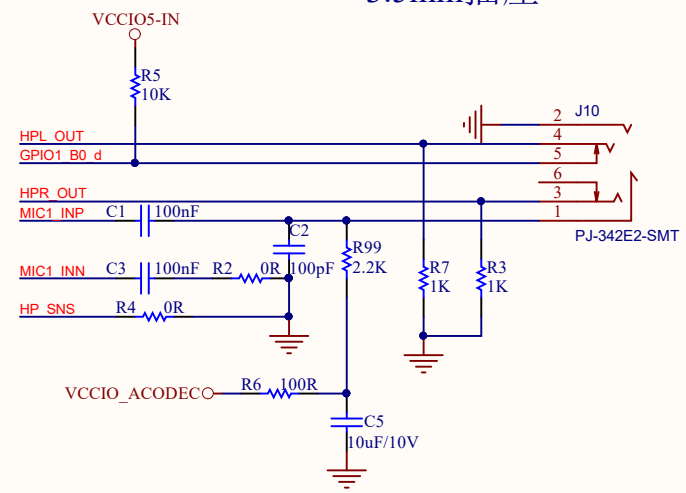
power on



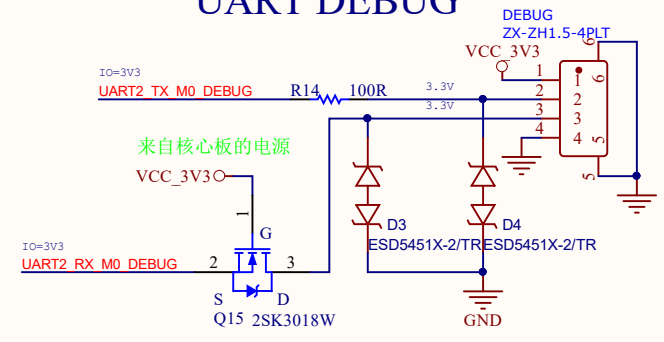
风扇



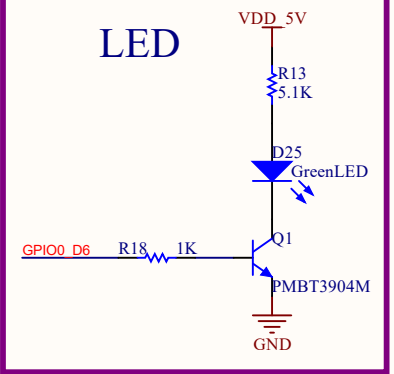
AUDIO 3.5mm插座



UART DEBUG



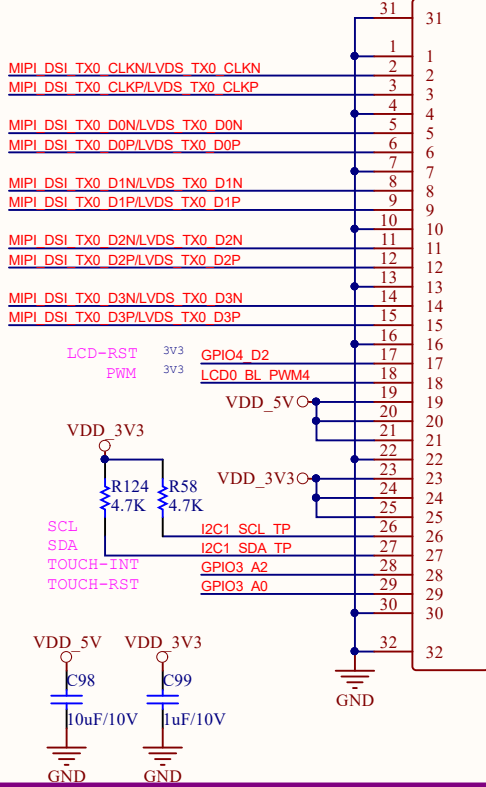
LED



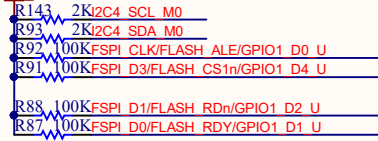
Title		
Size	Number	Revision
A4		
Date:	2024/11/7	Sheet of
File:	E:\深圳百问网络科技有限公司\KEY&DEBUG&AUDIO&LED.SchDoc	

MIPI DSI/LVDS LCD

J6
FPC30P,P=0.5mm,前插后翻盖

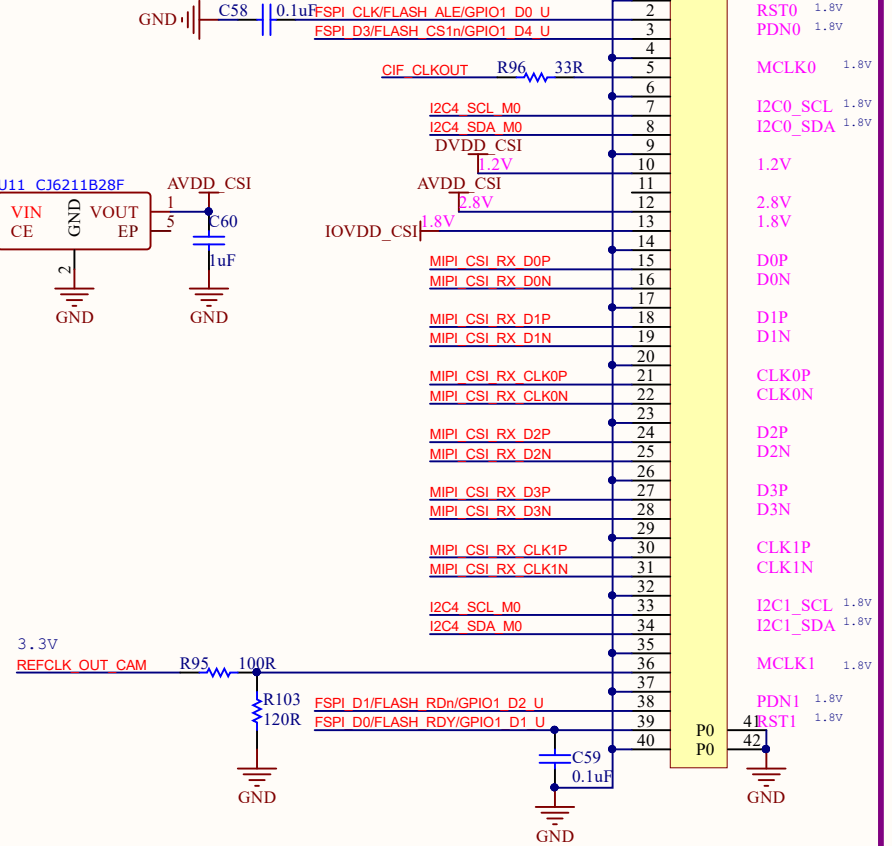


IOVDD CSI



MIPI CSI

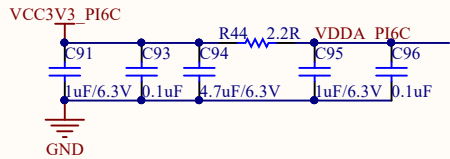
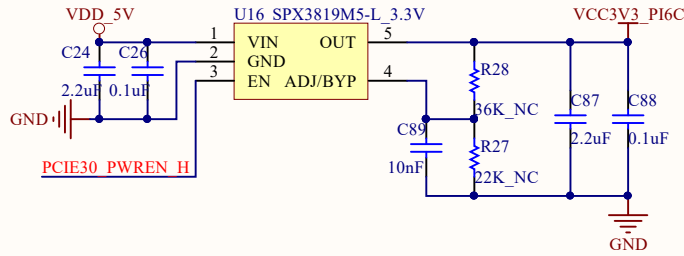
J8 FPC-05FB-40PH20



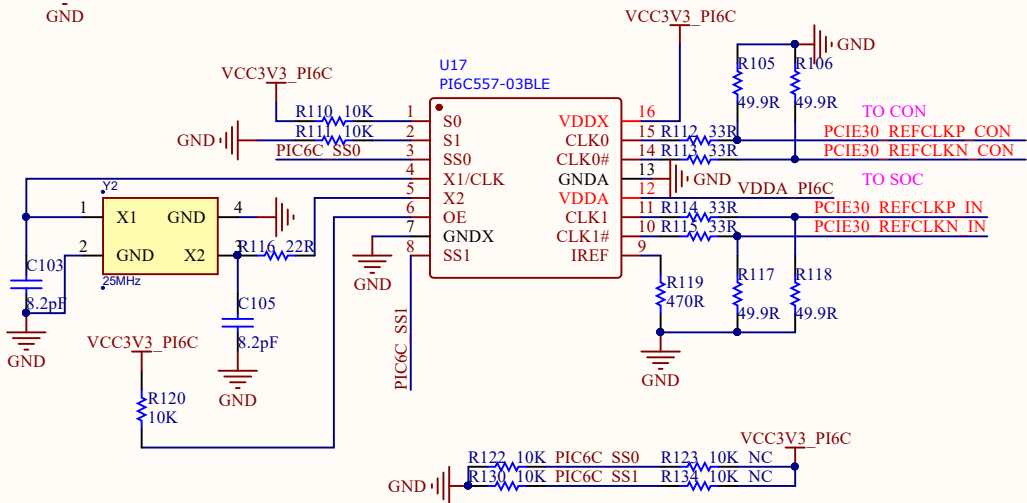
两组MIPI-2 lane	MIPI-4 lane
MIPIA_CSI_CK0P	MIPI_CSI_CK0P
MIPIA_CSI_CK0N	MIPI_CSI_CK0N
MIPIA_CSI_D1N	MIPI_CSI_D1N
MIPIA_CSI_D1P	MIPI_CSI_D1P
MIPIA_CSI_D0P	MIPI_CSI_D0P
MIPIA_CSI_D0N	MIPI_CSI_D0N
MIPIB_CSI_D0N	MIPI_CSI_D2N
MIPIB_CSI_D0P	MIPI_CSI_D2P
MIPIB_CSI_D1N	MIPI_CSI_D3N
MIPIB_CSI_D1P	MIPI_CSI_D3P
MIPIB_CSI_CK1N	
MIPIB_CSI_CK1P	

Title		
Size	Number	Revision
A4		
Date:	2024/11/7	Sheet of
File:	E:\深圳百问网络科技有限公司\MIPI DSI&LVDS\MIPI_CSI.SchDoc	

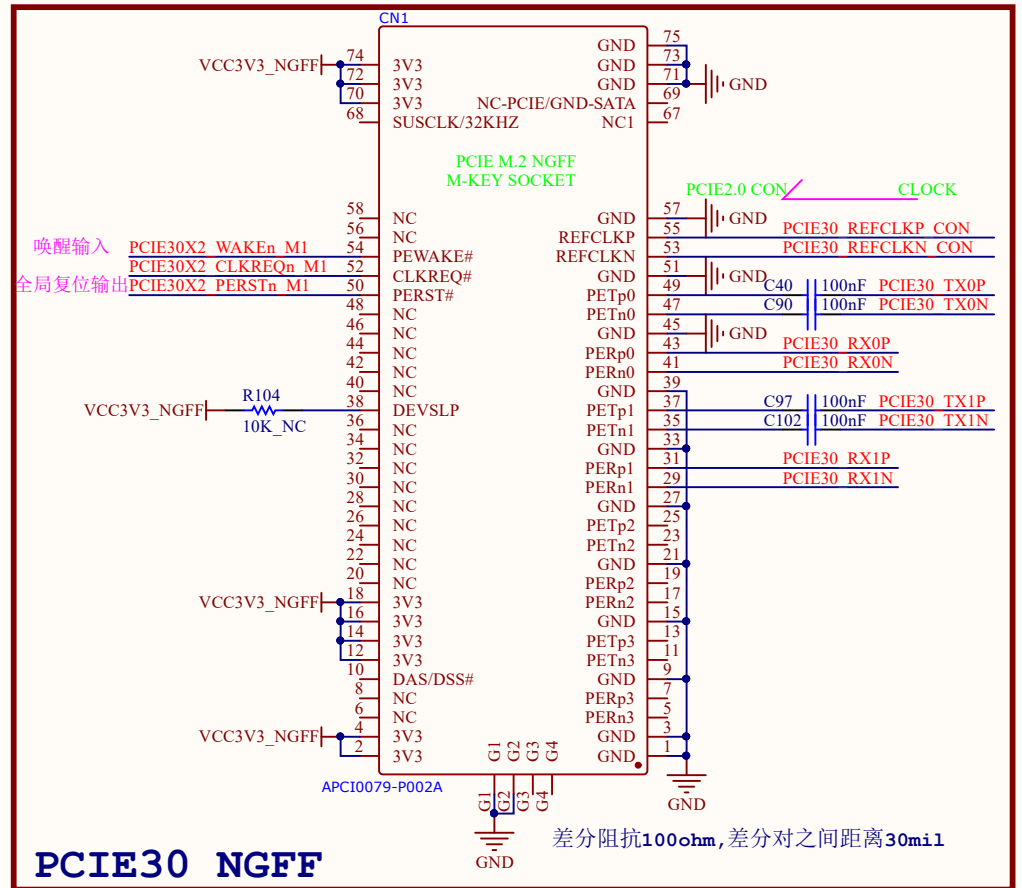
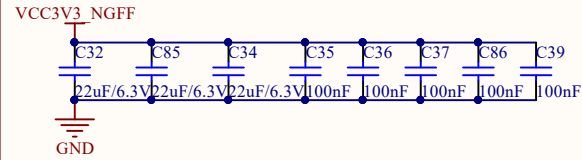
时钟芯片电源



Out Select			Spread Select		
S1	S0	CLK(MHz)	SS1	SS0	Spread Select
0	0	25	0	0	No Spread
0	1	100	0	1	Down-0.5
1	0	125	1	0	Down-0.75
1	1	200	1	1	No Spread

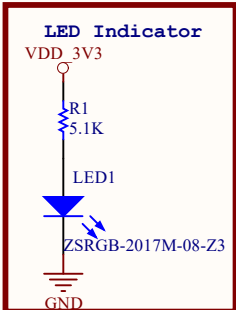
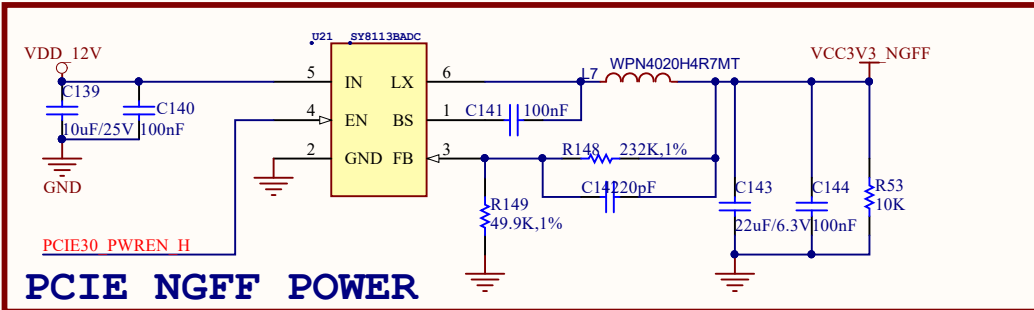
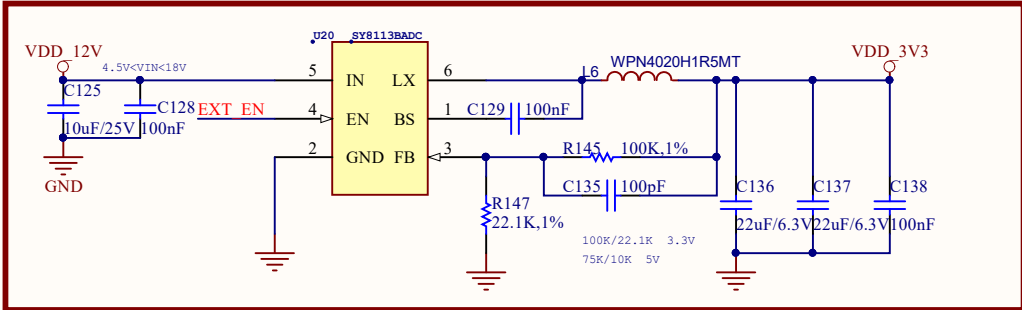
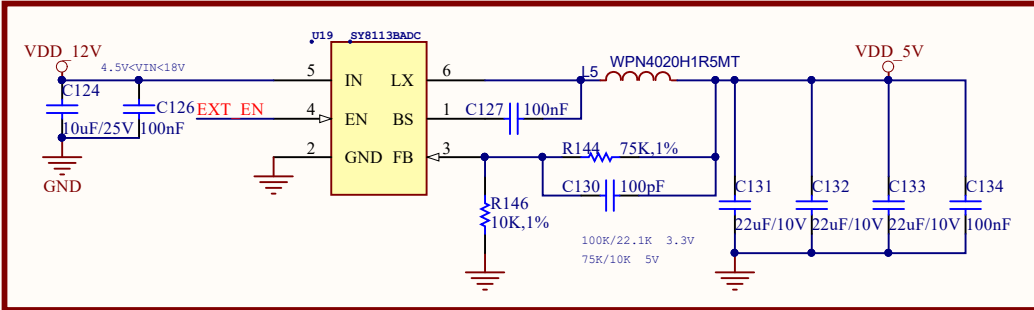
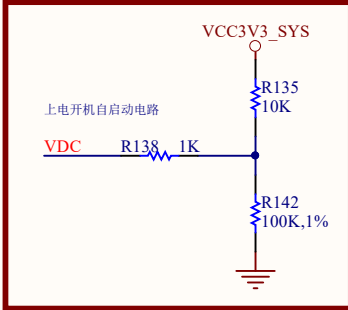
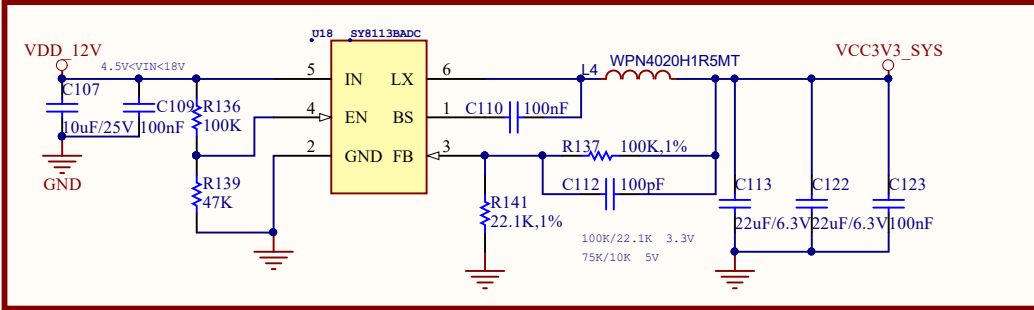
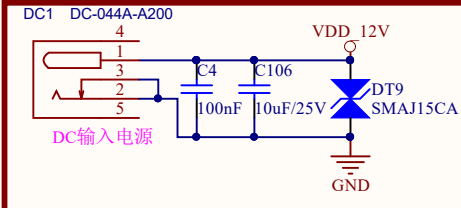


Decouple

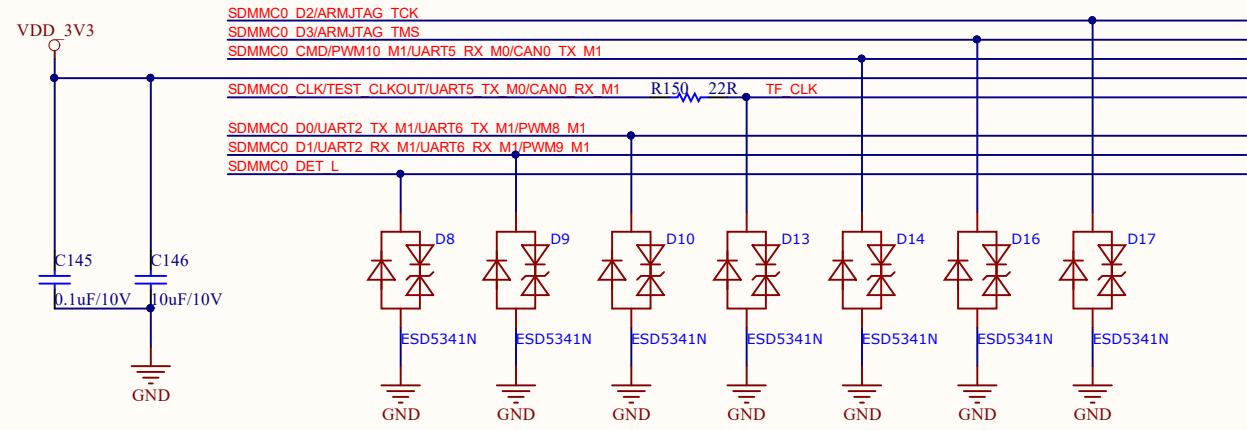
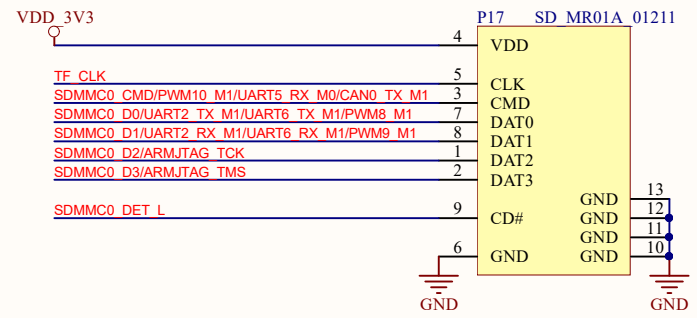


PCIE30 NGFF

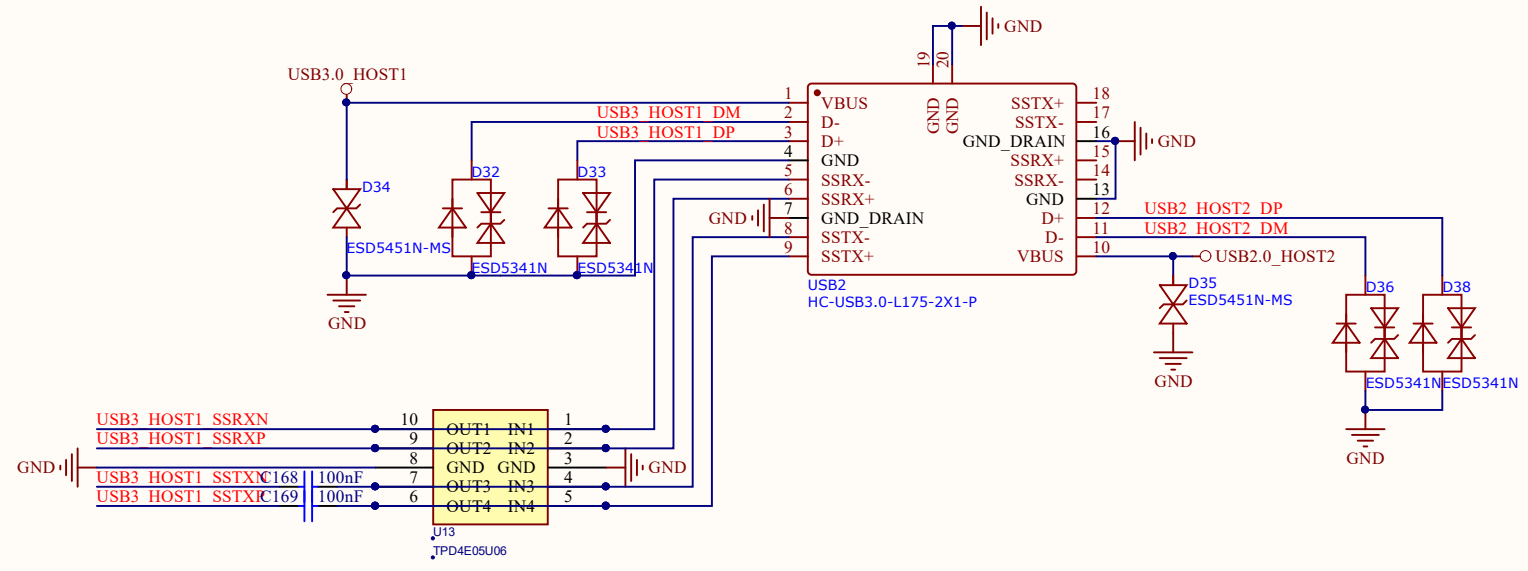
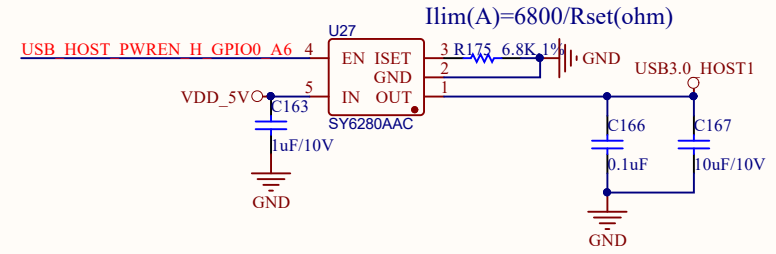
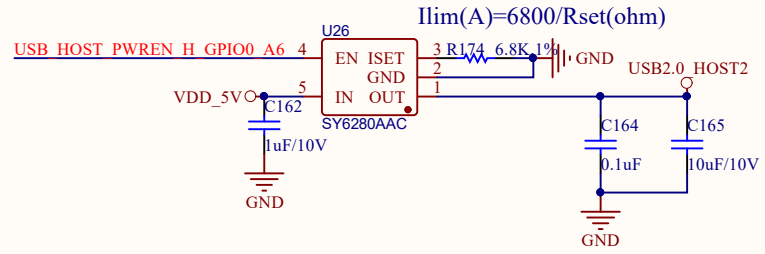
Title		
Size	Number	Revision
A4		
Date:	2024/11/7	Sheet of
File:	E:\深圳百问网科技有限公司\PCIE30	Design by:



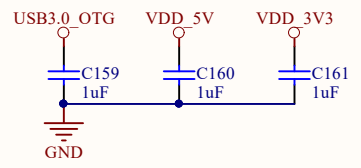
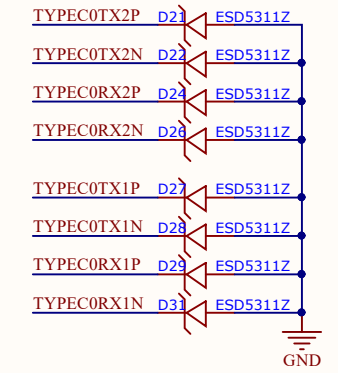
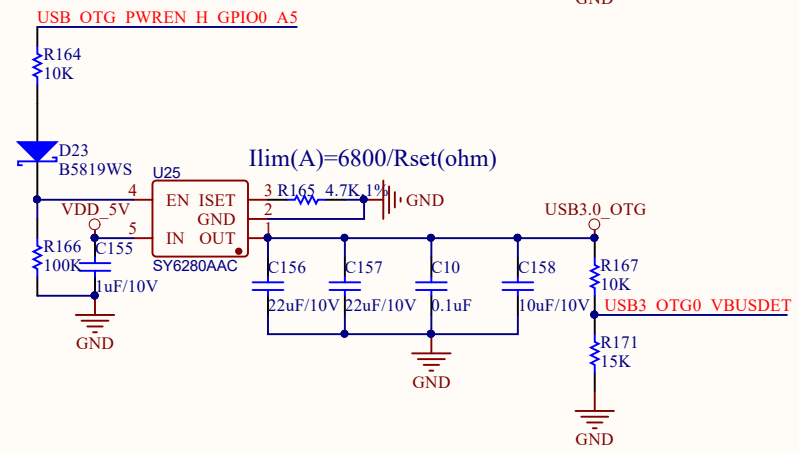
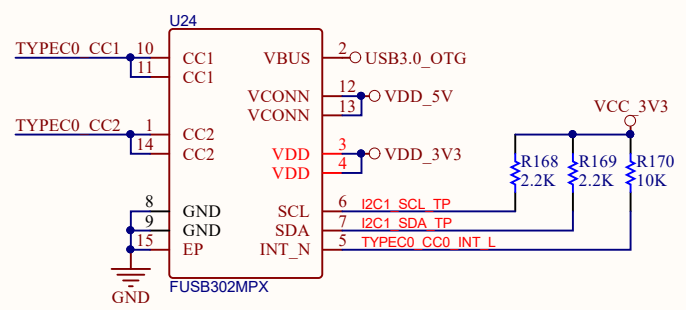
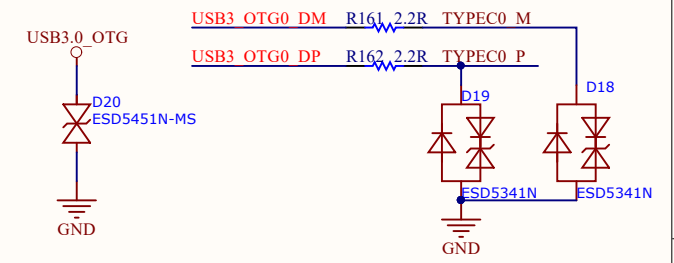
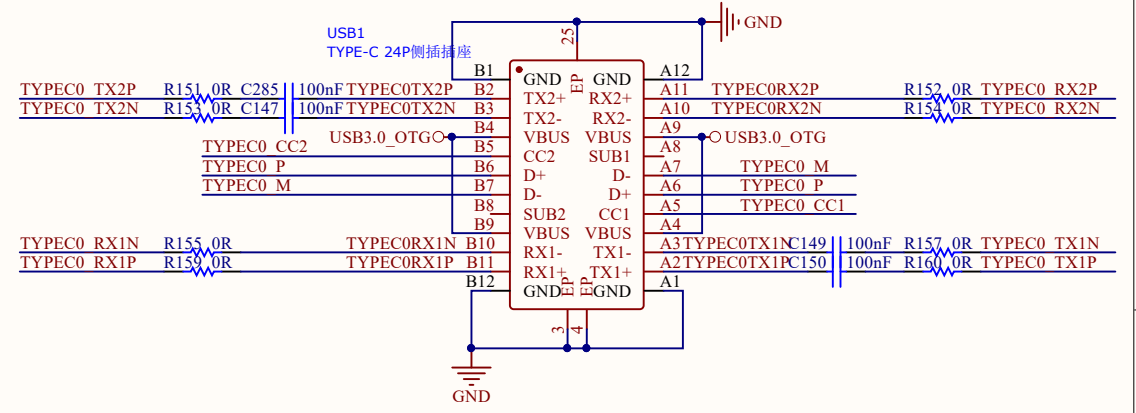
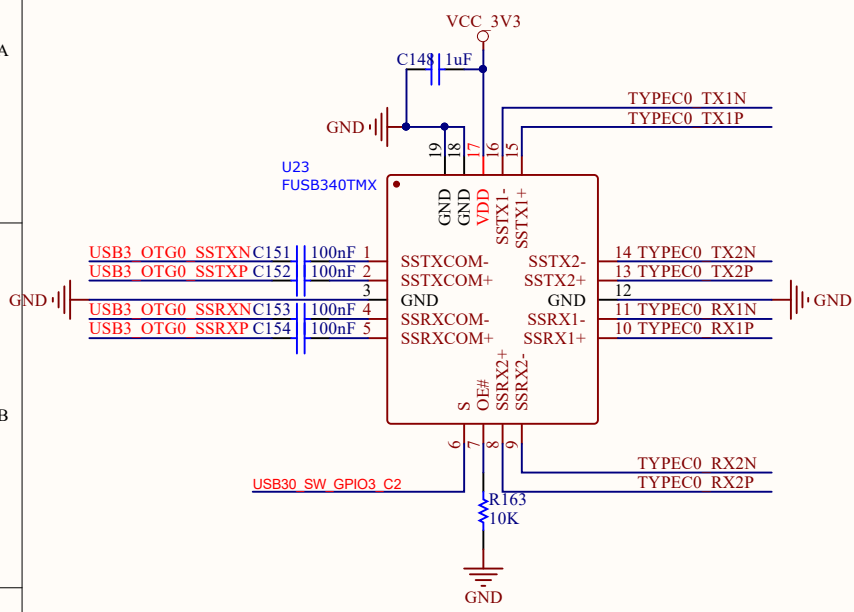
Title		
Size	Number	Revision
A4		
Date:	2024/11/7	Sheet of
File:	E:\深圳百问网络科技有限公司\POWER_SchDoc\	



Title		
Size	Number	Revision
A4		
Date:	2024/11/7	Sheet of
File:	E:\深圳百问网科技有限公司\...TF CAD\Doc	



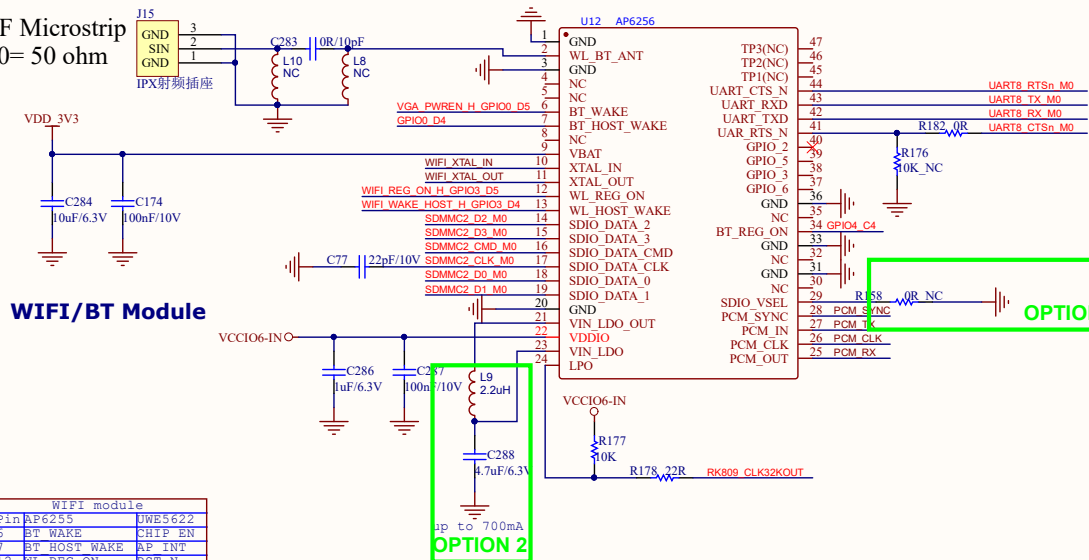
Title		
Size	Number	Revision
A4		
Date:	2024/11/7	Sheet of
File:	E:\深圳百问网科技有限公司\..USB HOST PCB.Doc	



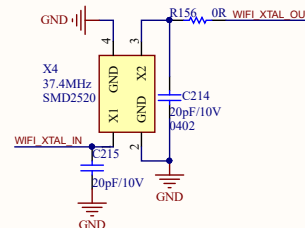
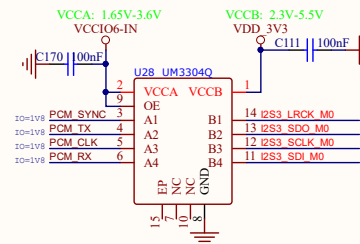
Title		
Size	Number	Revision
A4		
Date:	2024/11/7	Sheet of
File:	E:\深圳百问网络科技有限公司\USB3.0\0666_SchDoc	

OPTION	WIFI				BT	Crystals	VCCIO_SDIO	OPTION1	OPTION2	OPTION3
	a	b/g/n	ac	5GHz						
AW-CM256SM	Yes	Yes	Yes	Yes	4.2	37.4MHz	1.71-3.63V	Yes	Yes	Yes@SDIO2.0 No@SDIO3.0
AP6236/AP6212	No	Yes	No	No	4.2/4.0	26MHz	1.71-3.63V	Yes	Yes	No
AP6256/AP6255	Yes	Yes	Yes	Yes	5.0/4.2	37.4MHz	1.62-3.63V	Yes	Yes	Yes@SDIO2.0 No@SDIO3.0
RTL8189FTV Module F89FTSM12-W3	No	Yes	No	No	No	Module Integrated	1.8-3.3V	No	No	No
RTL8723DS Module 6223A-SRD	No	Yes	No	No	4.2	Module Integrated	1.62-3.63V	No	No	No
QCA9377 Module 8223A-SR	Yes	Yes	Yes	Yes	4.2	Module Integrated	1.7-3.45V	No	No	No
RTL8821CS Module 6221A-SRC	Yes	Yes	Yes	Yes	4.2	Module Integrated	1.7-3.45V	No	No	No
UWE5622	Yes	Yes	Yes	Yes	5.0	Module Integrated	1.62-1.98V	No	No	No

RF Microstrip
Z0= 50 ohm



WIFI module	
Pin AP6255	UWE5622
6 BT WAKE	CHIP EN
7 BT HOST WAKE	AP INT
12 WL REG ON	RST N
13 WL HOST WAKE	SD INT



Title		
Size	Number	Revision
A3		
Date:	2024/11/7	Sheet of
File:	E:\深圳百问网络科技有限公司\WIFI AP6256\Doc	16 of 16