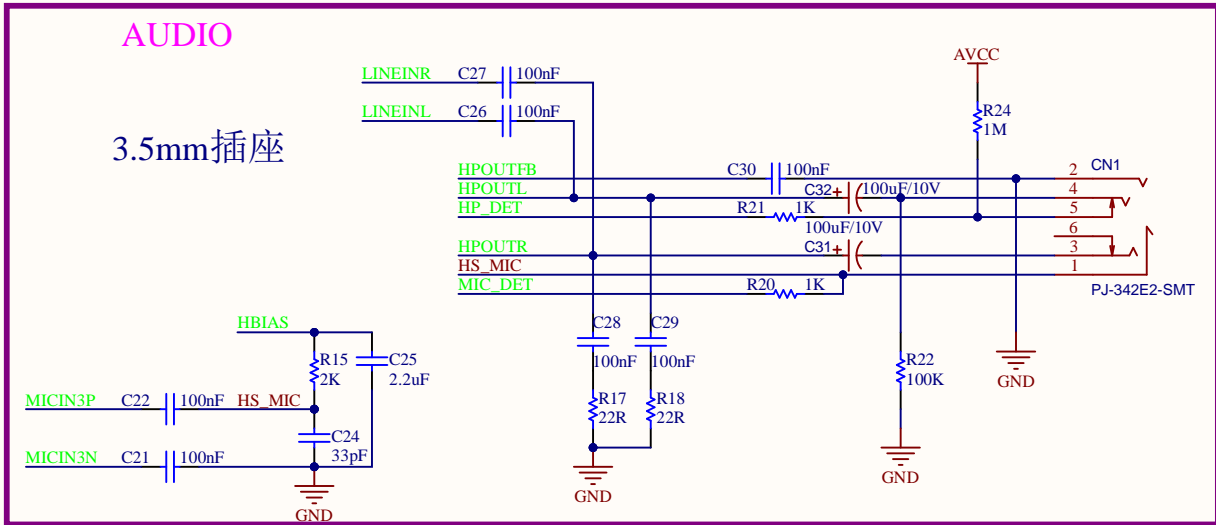
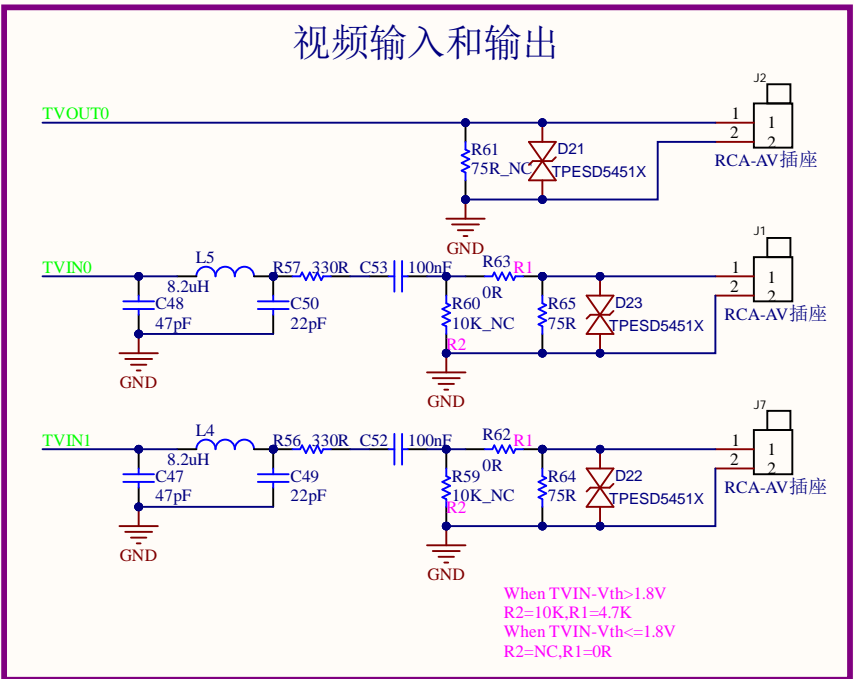
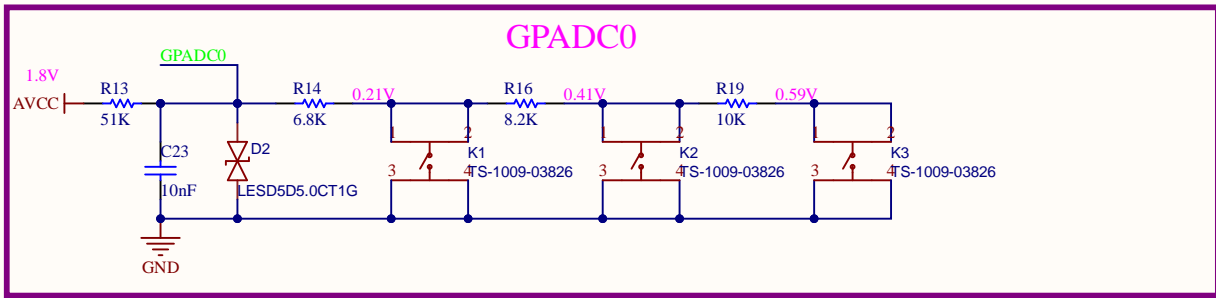
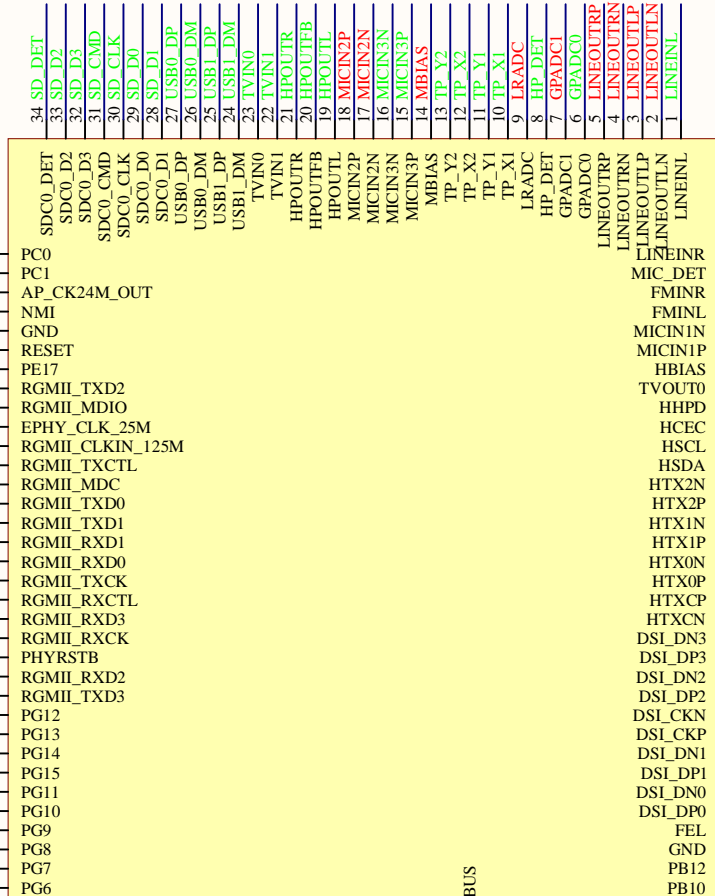
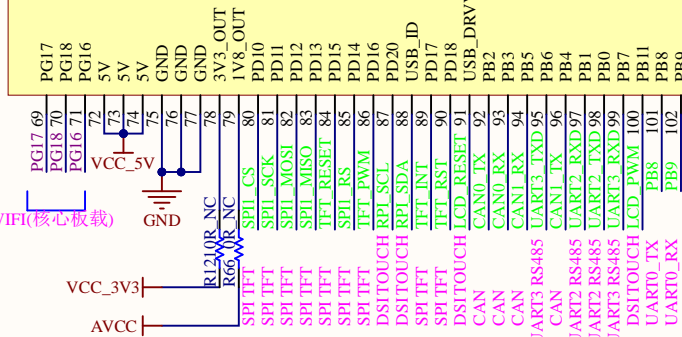
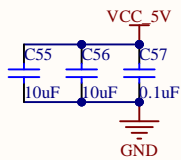
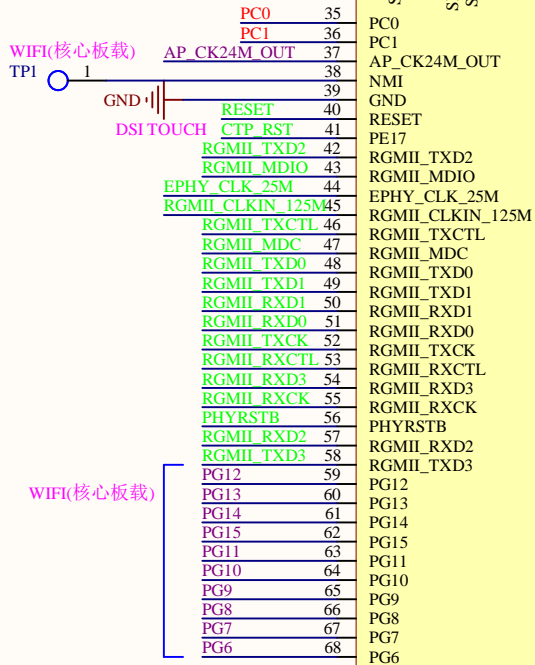


Title		
Size	Number	Revision
A4		
Date:	6/21/2024	Sheet of
File:	D:\2023-11-8_专板专课 T113-i工业底板\Doc\4G BIC20.SchDoc	

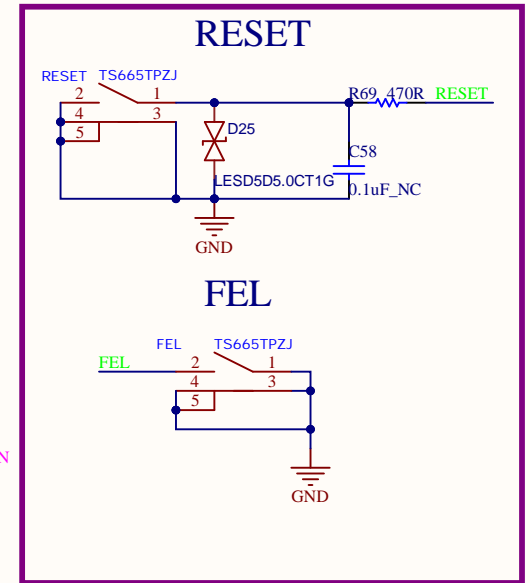
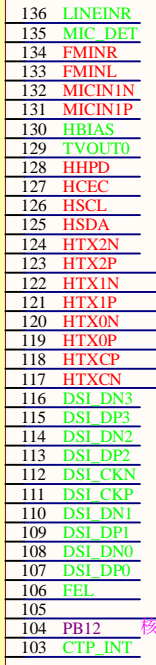


Title		
Size	Number	Revision
A4		
Date:	6/21/2024	Sheet of
File:	D:\2023-11-8_专板专课 T113-i工业底板\Draw\AUDIO&KEY&VIDEO.SchDoc	

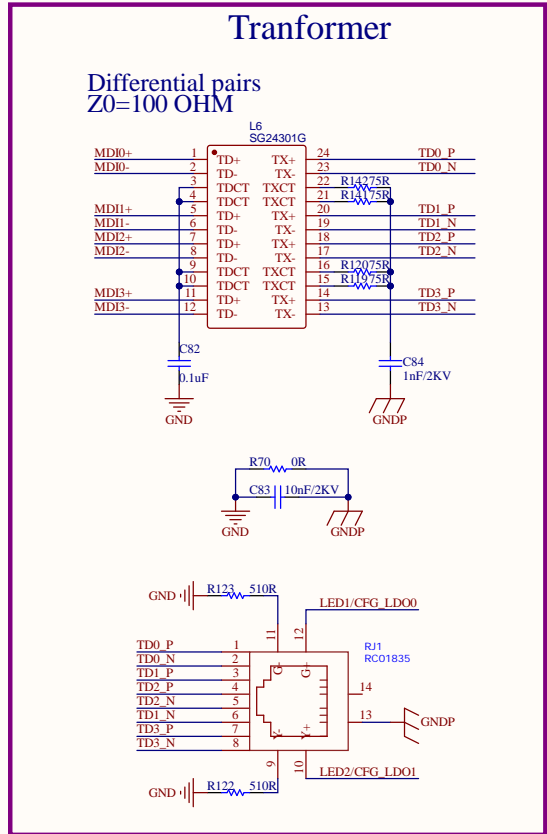
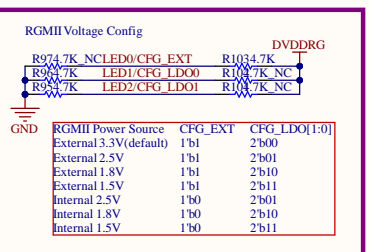
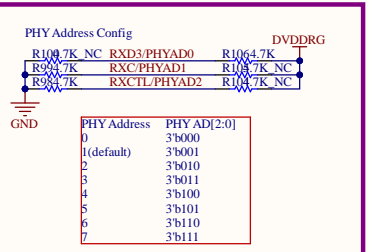
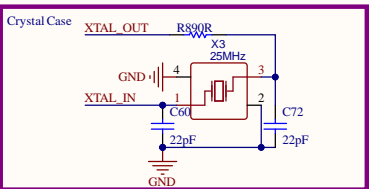
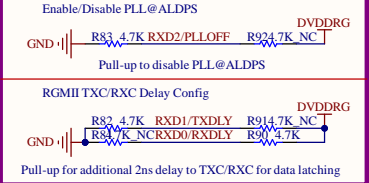
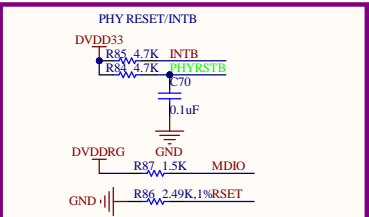
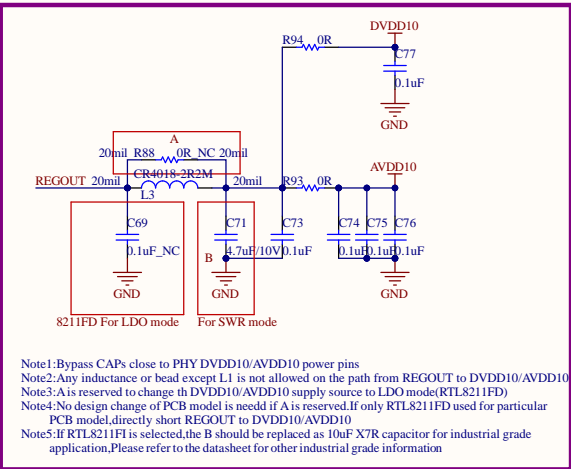
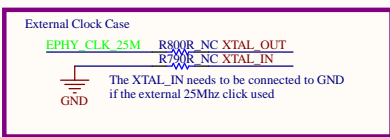
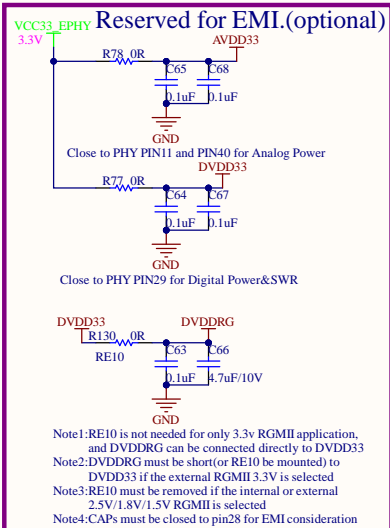
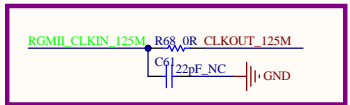
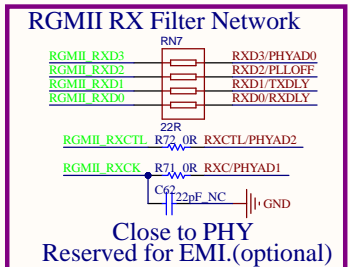
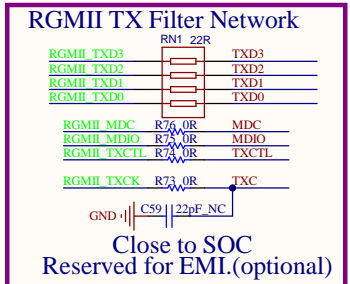
核心板



M1
D1H_STAMP_CORE



Title		
Size	Number	Revision
A4		
Date:	6/21/2024	Sheet of
File:	D:\2023-11-8_专板专课 T113-i工业底板	Drawn By: CORE_INTERFACE.SchDoc



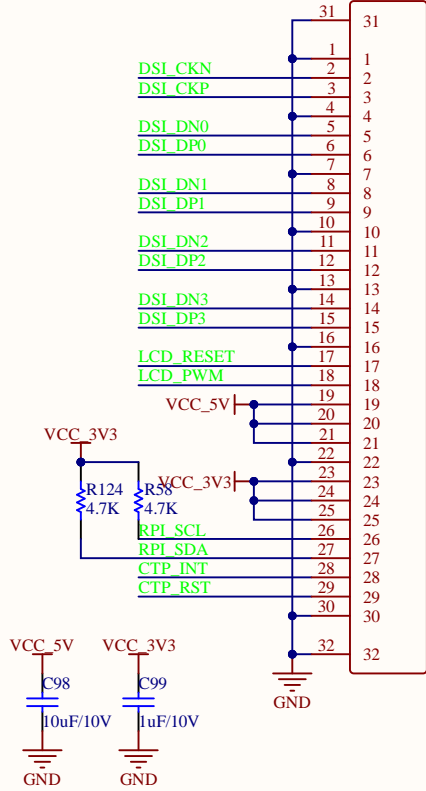
MDIO+	1	MDIPO	41	GND
MDIO-	2	MDINO	40	AVDD33
AVDD10	3	RSET	39	RSET
MDI1+	4	AVDD10	37	XTAL_OUT
MDI1-	5	XTAL_OUT/EXT_CLK	36	XTAL_IN
MDI2+	6	MDIN1	35	CLKOUT_125M
MDI2-	7	MDIP2	34	CLKOUT
AVDD10	8	MDIN2	33	LED2/CFG_LDO1
MDI3+	9	AVDD10	33	LED1/CFG_LDO0
MDI3-	10	MDIP3	32	LED0/CFG_EXT
AVDD33	11	MDIN3	31	INTB/PMEB
PHYRSTB	12	AVDD33	30	REG_OUT
MDC	13	PHYRSTB	29	DVDD33
MDIO	14	MDC	28	DVDDRG
TXD3	15	MDIO	27	RXC/PHYAD1
TXD2	16	TXD3	26	RXCTL/PHYAD2
TXD1	17	TXD2	25	RXD0/RXDLY
TXD0	18	TXD1	24	RXD1/TXDLY
TXCTL	19	TXD0	23	RXD2/PLLOFF
TXC	20	TXCTL	22	RXD3/PHYAD0
		TXC	21	DVDD10

RTL8211F-QG

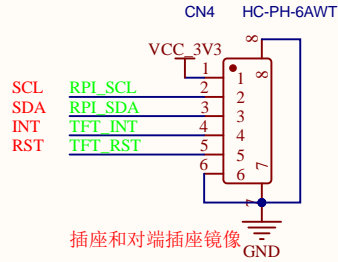
Title		
Size	Number	Revision
A3		
Date:	6/21/2024	Sheet of
File:	D:\2023-11-8_专板专课 T113-工业底网\Drawings\NETNET.SchDoc	

MIPI DSI

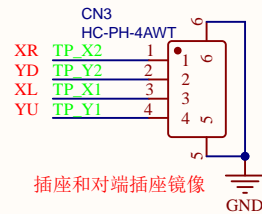
J6
FPC30P,P=0.5mm,前插后翻盖



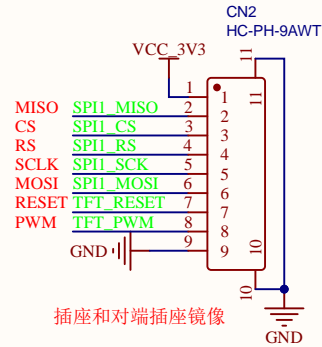
CAP TOUCH



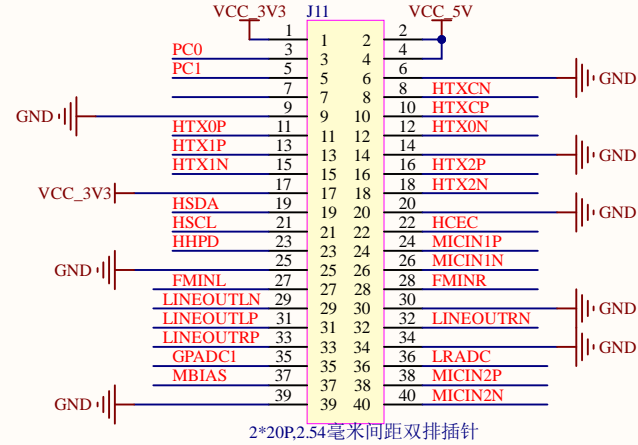
RES TOUCH



SPI TFT



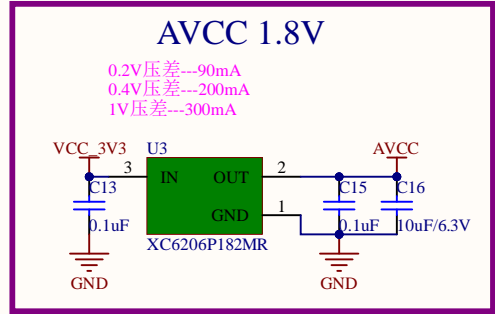
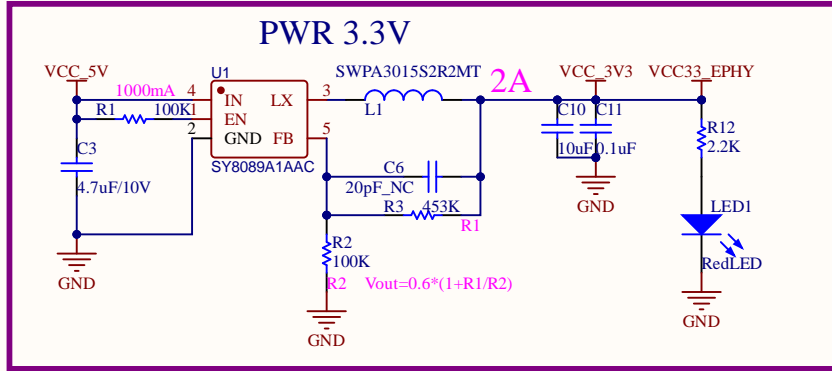
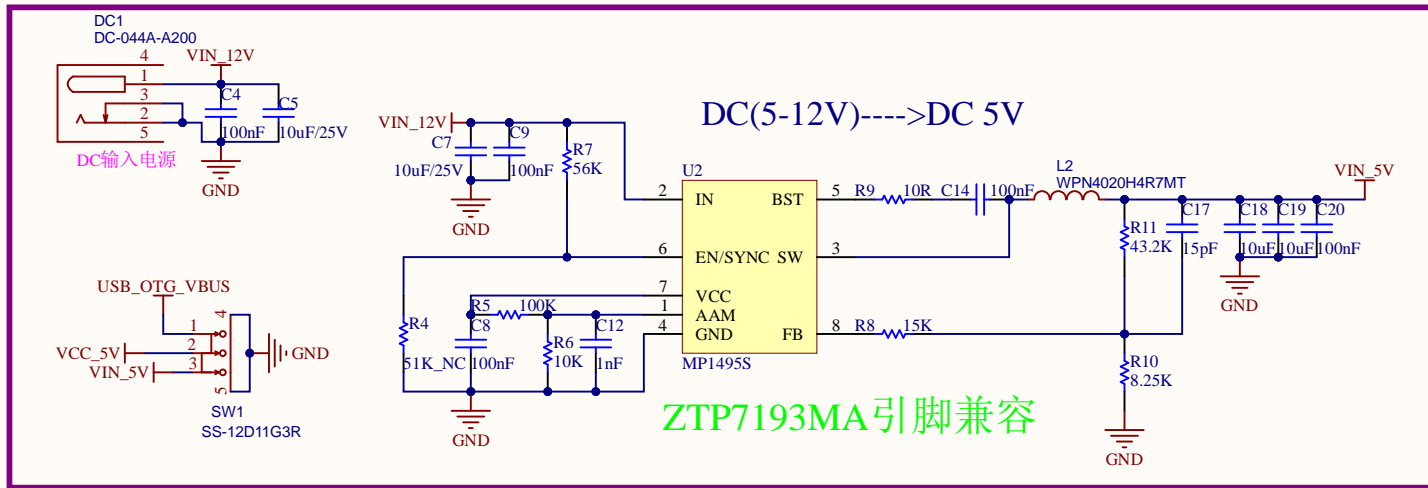
扩展接口



RGII接口扩展

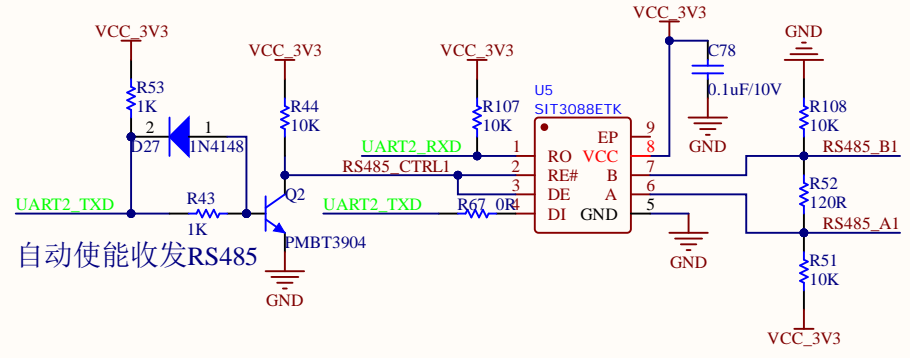


Title		
Size	Number	Revision
A4		
Date:	6/21/2024	Sheet of
File:	D:\2023-11-8_专板专课 T113-i工业底板\Drawings\MIPI\DSI&SPI_TFT&IO.SchDoc	



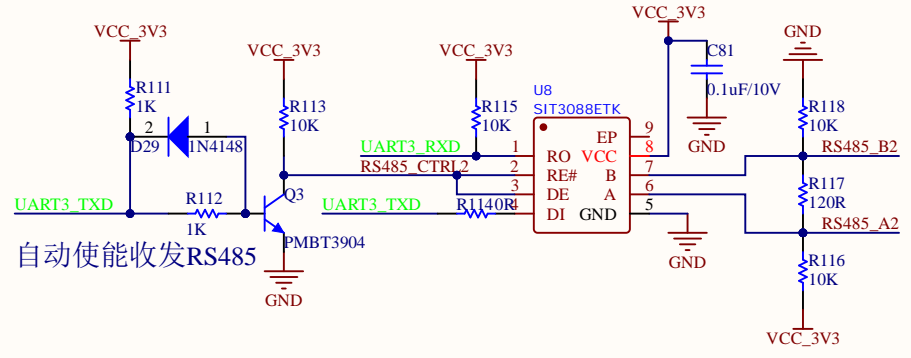
Title		
Size	Number	Revision
A4		
Date:	6/21/2024	Sheet of
File:	D:\2023-11-8_专板专课 T113-i工业底板	Drawn By: SchDoc

UART2<->RS485



自动使能收发RS485

UART3<->RS485

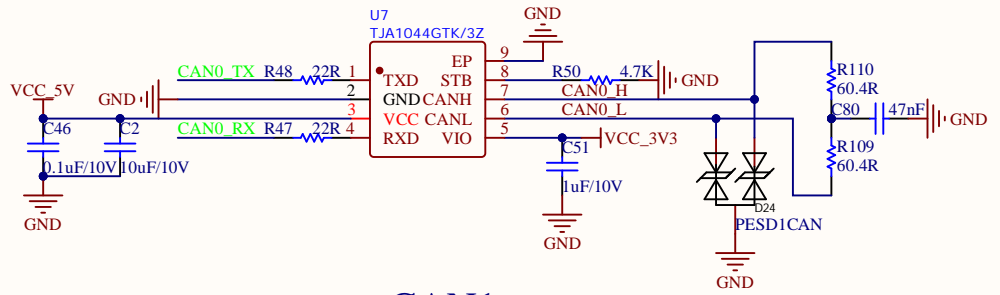


自动使能收发RS485

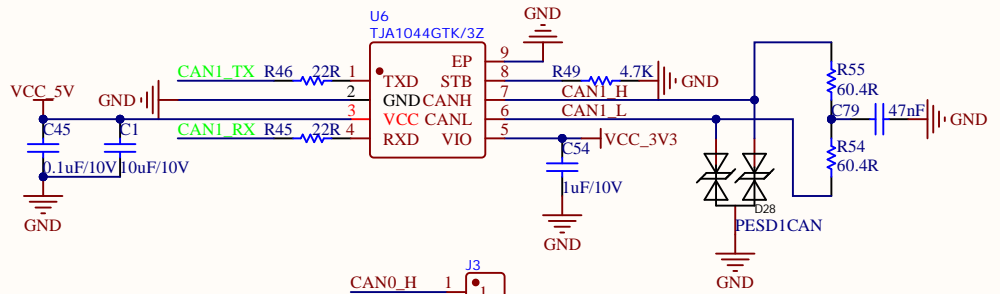
RS485_B1	1
RS485_A1	2
RS485_B2	3
RS485_A2	4

KF2EDGR-3.81-4P

CAN0



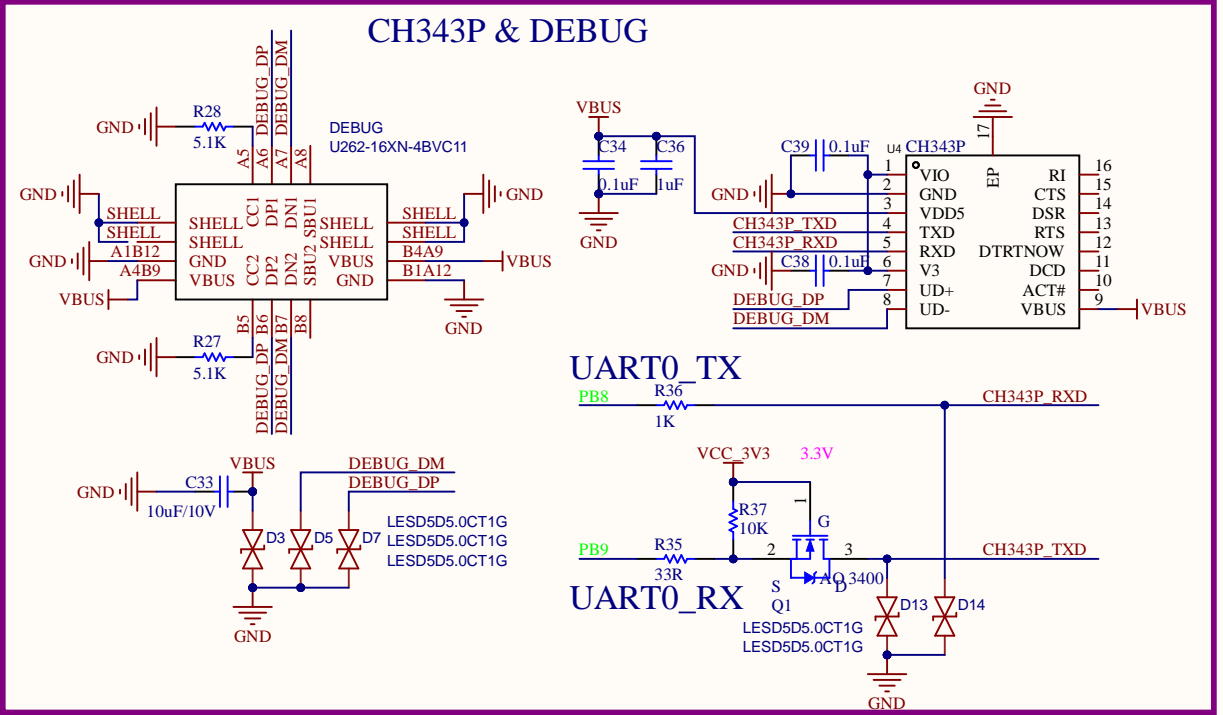
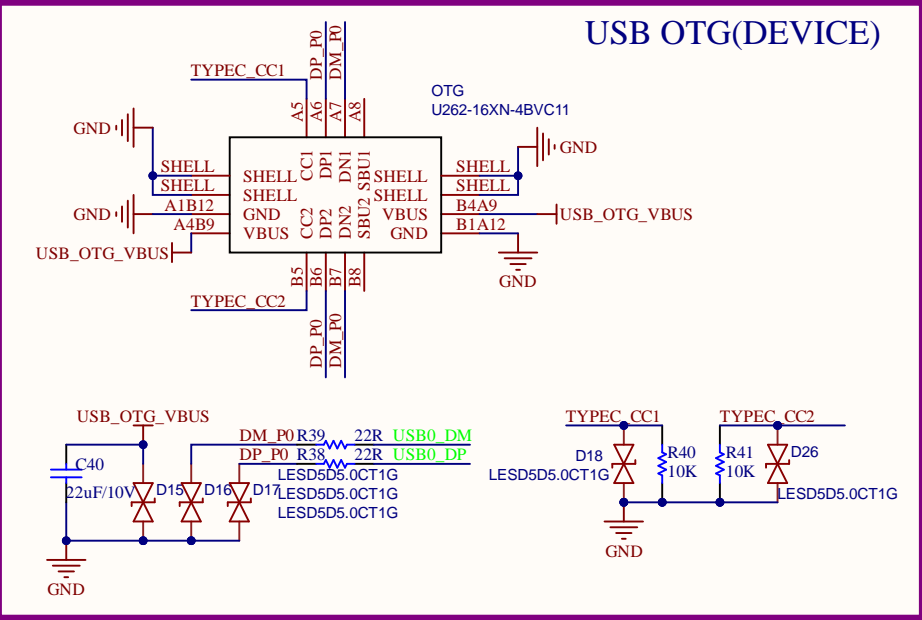
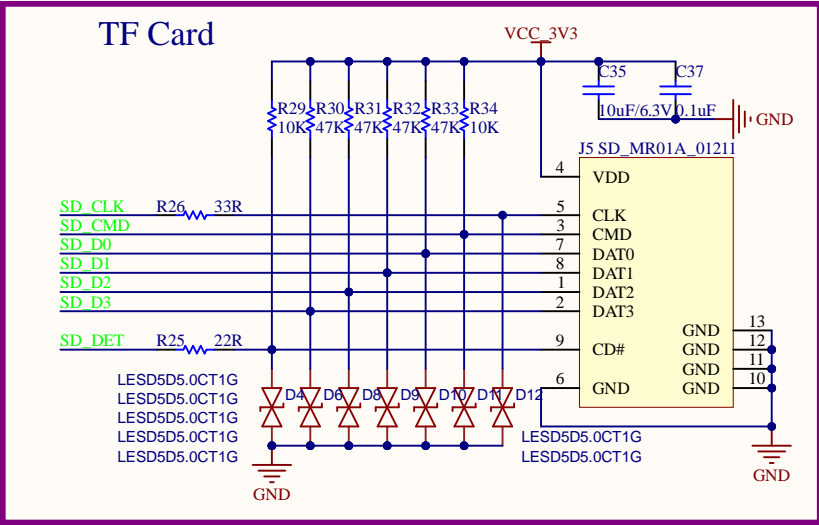
CAN1



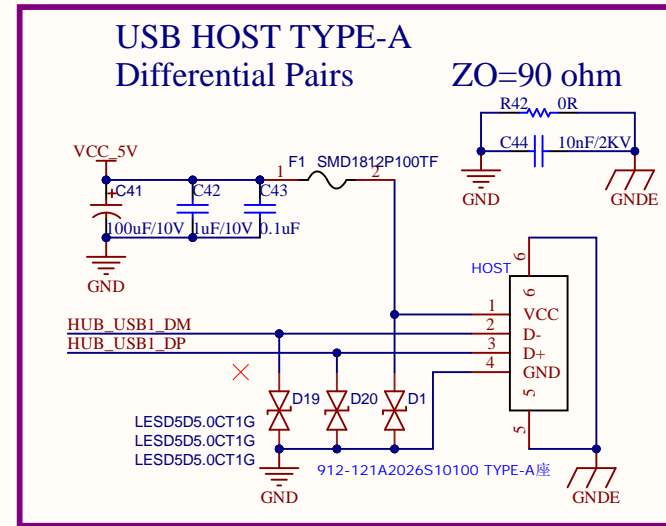
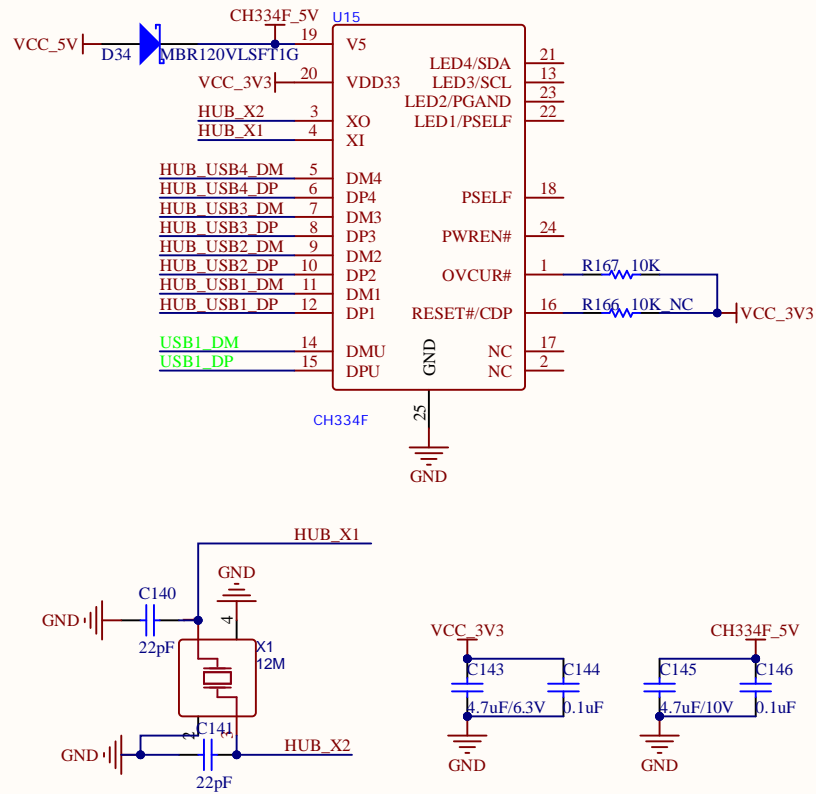
CAN0_H	1
CAN0_L	2
CAN1_H	3
CAN1_L	4

KF2EDGR-3.81-4P

Title		
Size	Number	Revision
A4		
Date:	6/21/2024	Sheet of
File:	D:\2023-11-8_专板专课 T113-i工业底板\Draw\RS485&CAN.SchDoc	



Title		
Size	Number	Revision
A4		
Date:	6/21/2024	Sheet of
File:	D:\2023-11-8_专板专课 T113-i工业底板	Drawn by: TF.SchDoc



Title		
Size	Number	Revision
A4		
Date:	6/21/2024	Sheet of
File:	D:\2023-11-8_专板专课 T113-i工业底板\DrawBy\HUB_CH334F.SchDoc	