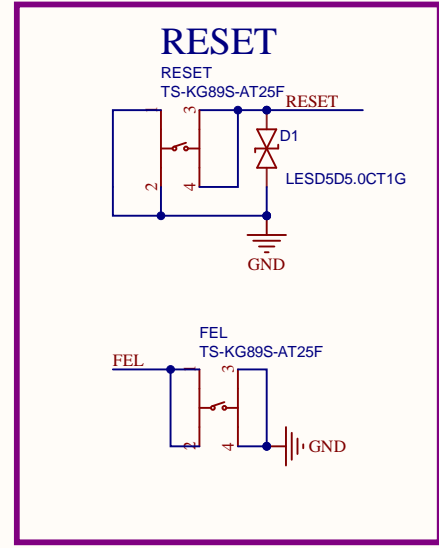
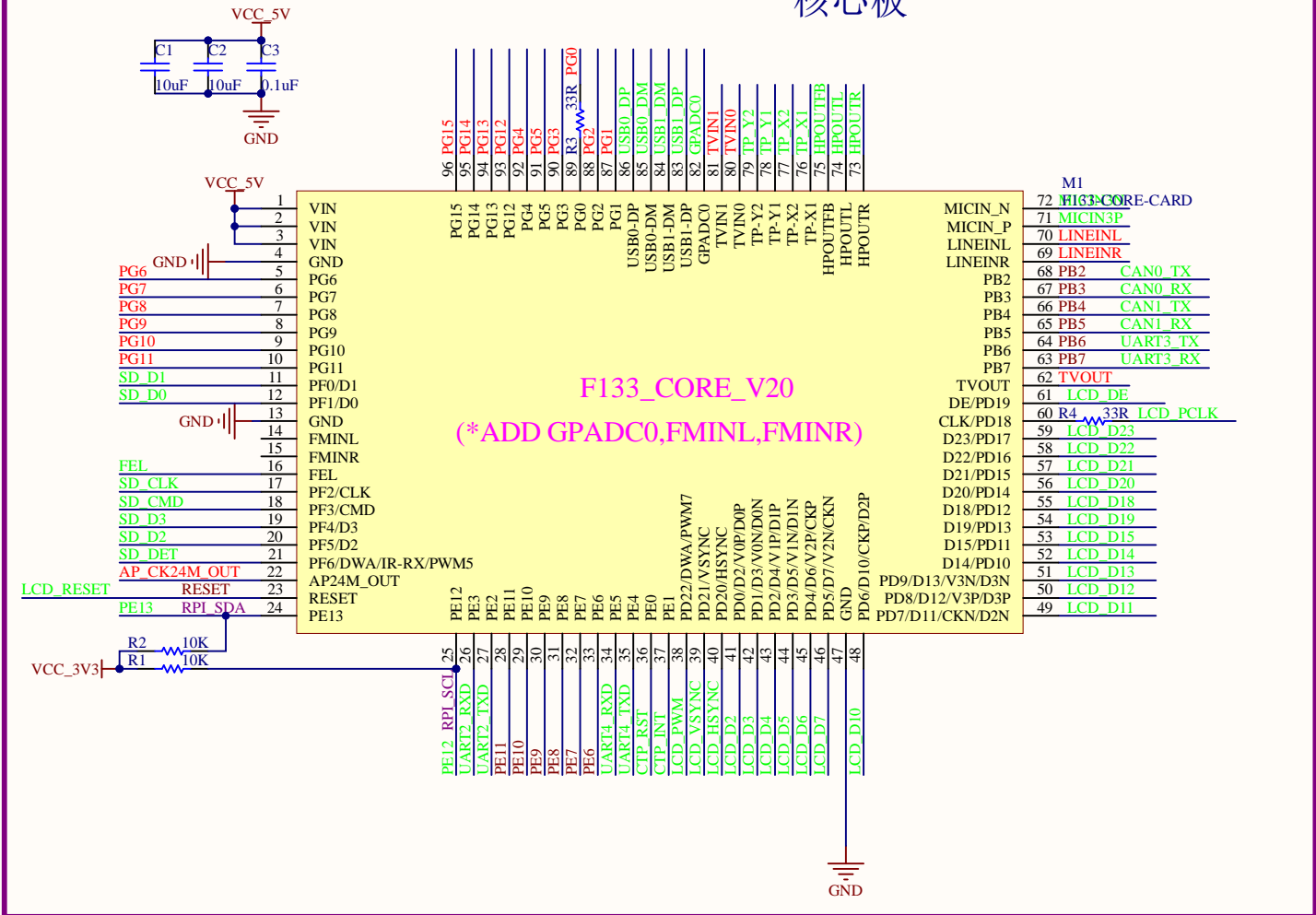


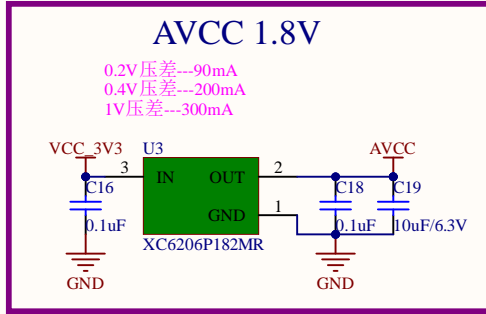
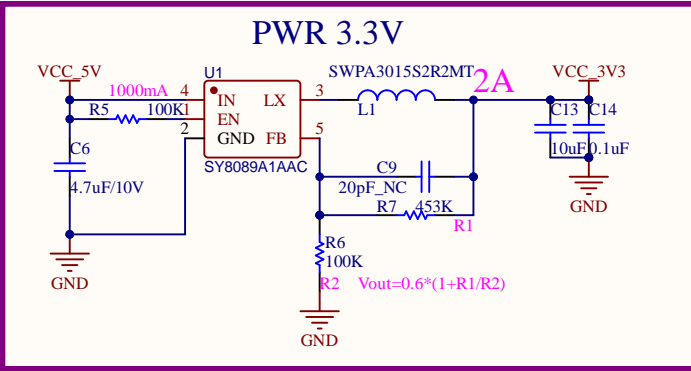
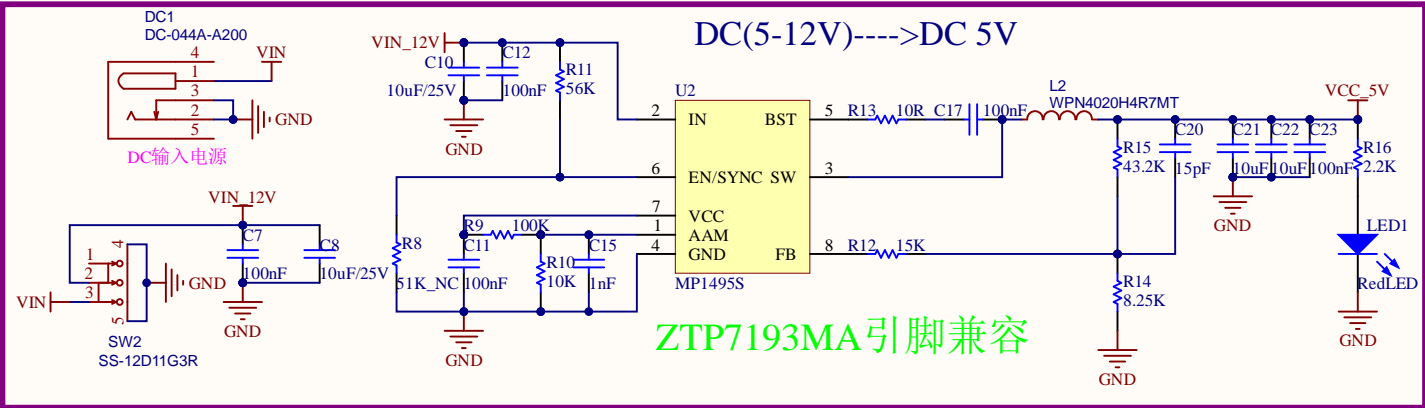
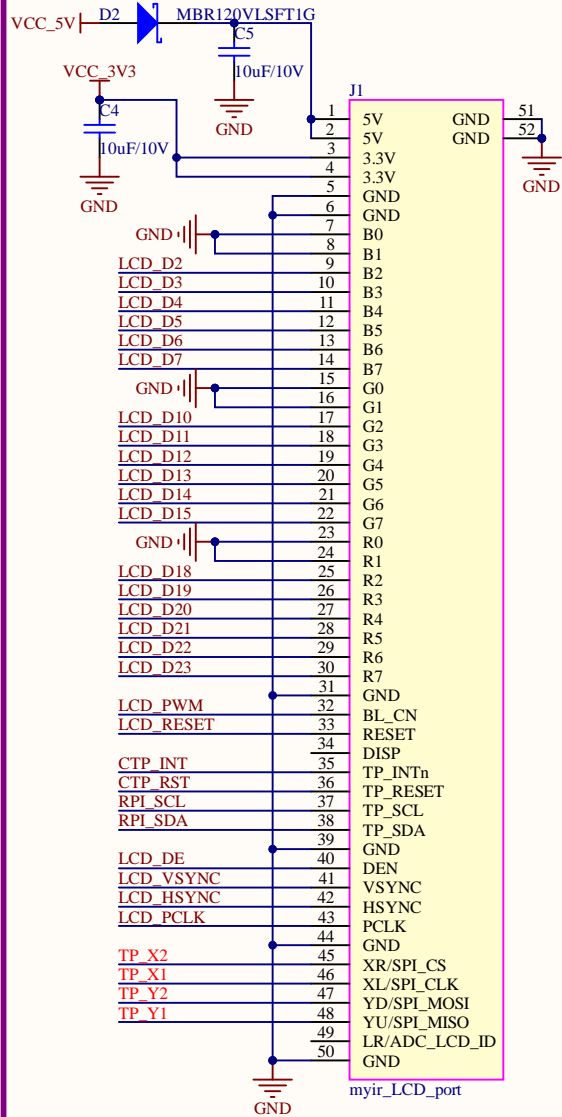
Title		
Size	Number	Revision
A4		
Date:	12/28/2023	Sheet of
File:	D:\2023-9-8_专板专课 T113-S3工业底板\Draw\IO&KEY&EXPAND_IO.Sch	Doc

# 核心板



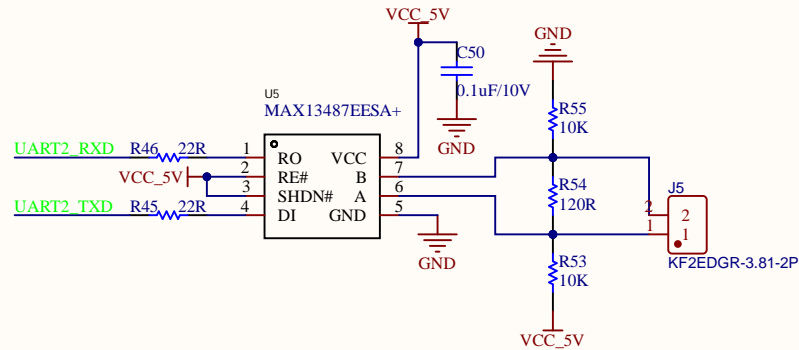
Title		
Size	Number	Revision
A4		
Date:	12/28/2023	Sheet of
File:	D:\2023-9-8_专板专课 T113-S3 工业底板	F133_CORE_INTERFACE.SchDoc

# RGB LCD INTERFACE

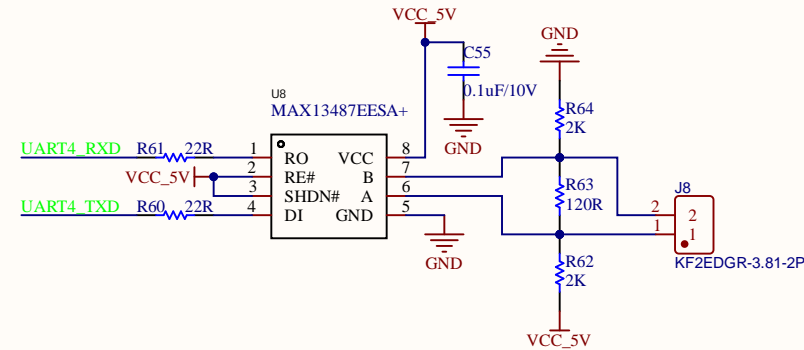


Title		
Size	Number	Revision
A4		
Date:	12/28/2023	Sheet of
File:	D:\2023-9-8_专板专课 T113-S3工业层板板图\PCB & PWR.SchDoc	

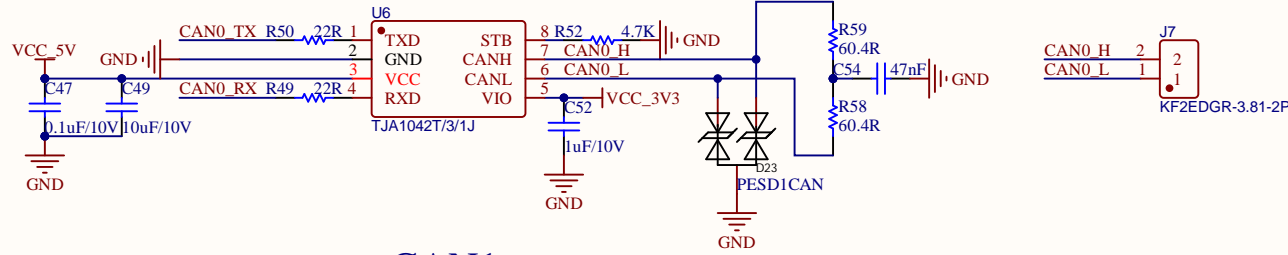
### UART2<->RS485



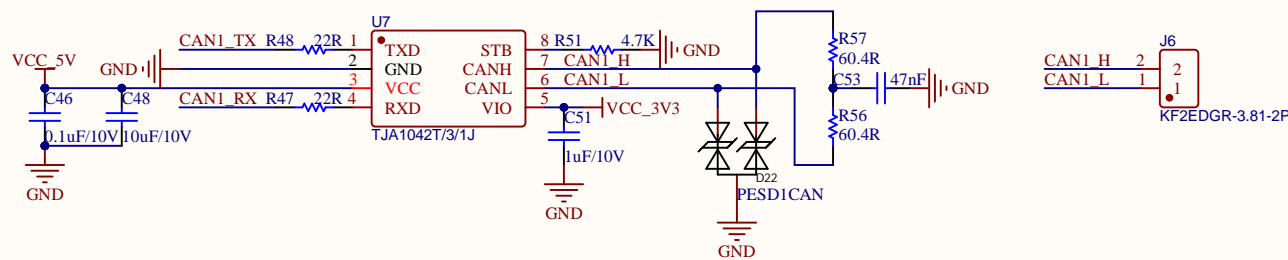
### UART4<->RS485



### CAN0

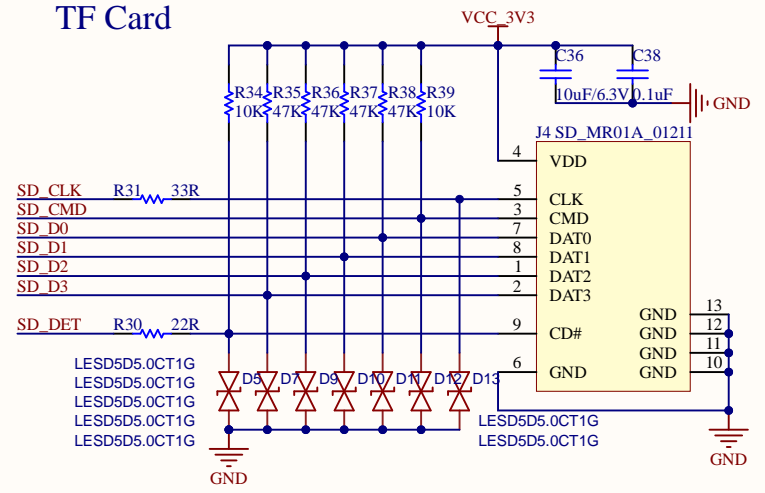


### CAN1

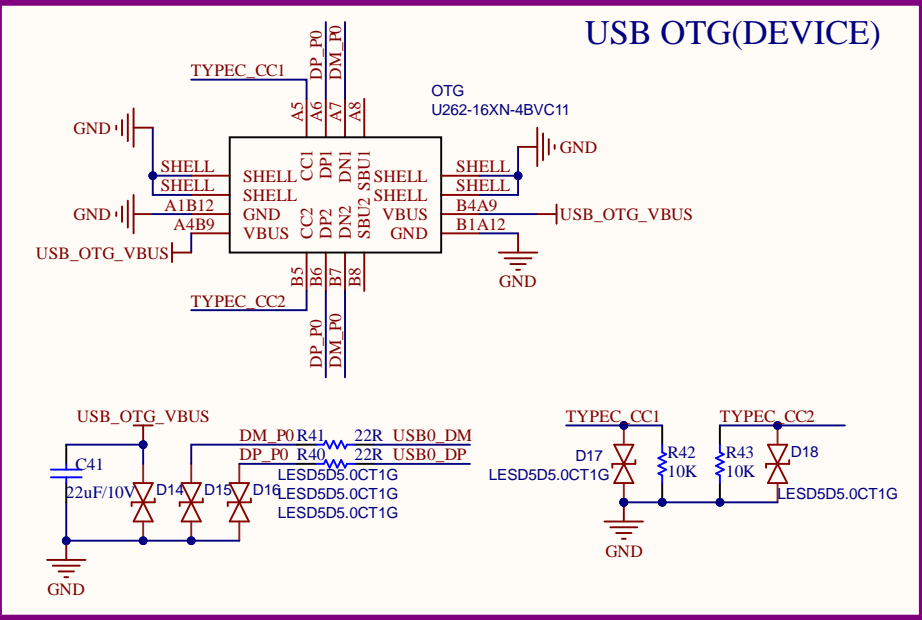


Title		
Size	Number	Revision
A4		
Date:	12/28/2023	Sheet of
File:	D:\2023-9-8_专板专课 T113-S3 工业总线驱动 PCB95&CAN.SchDoc	4

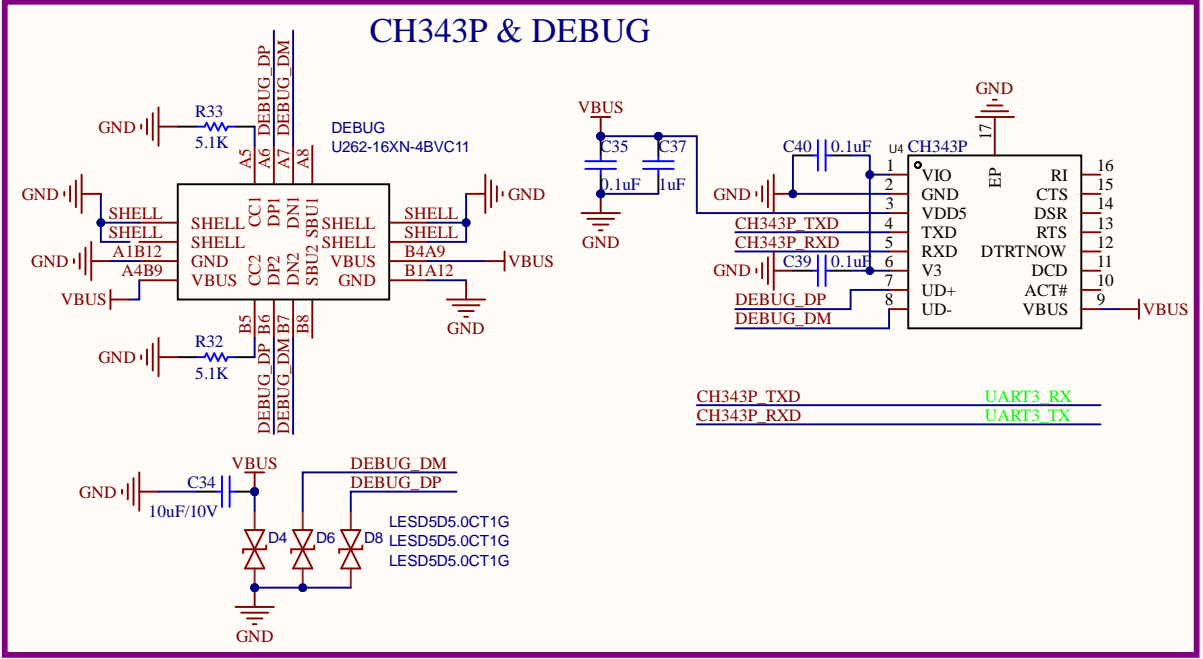
### TF Card



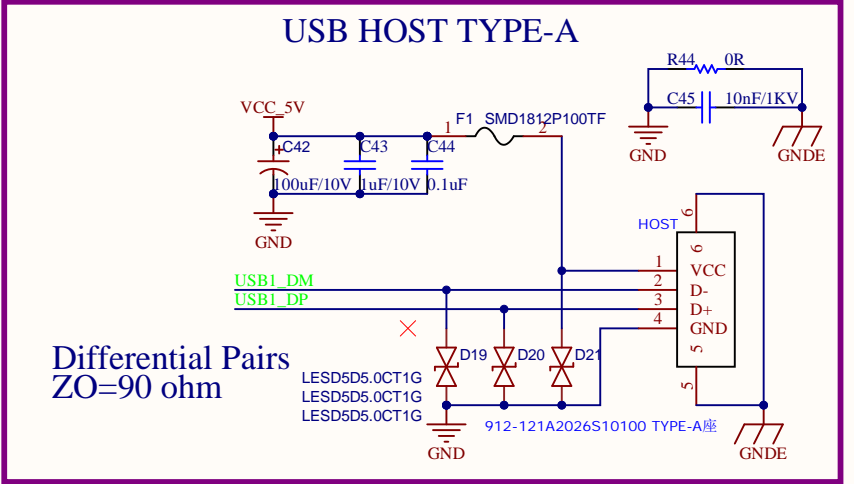
### USB OTG(DVICE)



### CH343P & DEBUG



### USB HOST TYPE-A



Differential Pairs  
ZO=90 ohm

Title		
Size	Number	Revision
A4		
Date:	12/28/2023	Sheet of
File:	D:\2023-9-8_专板专课_T113-S3_工业层板_USB&TF.SchDoc	1/1