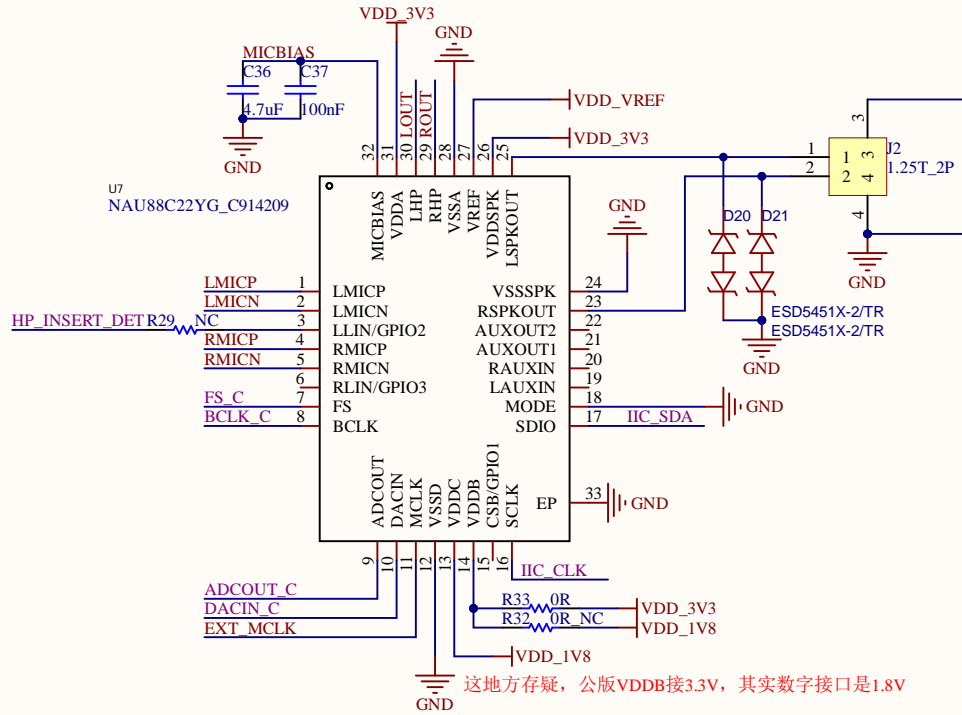
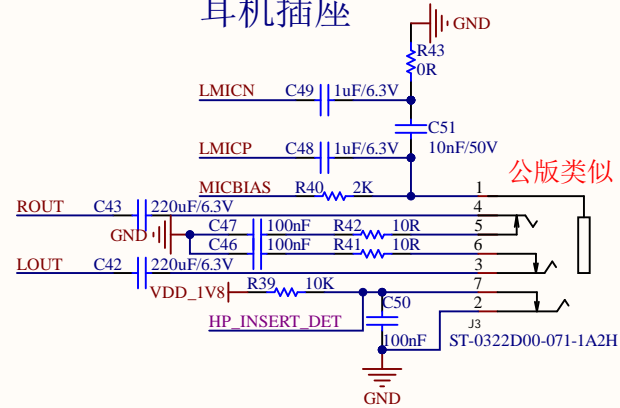


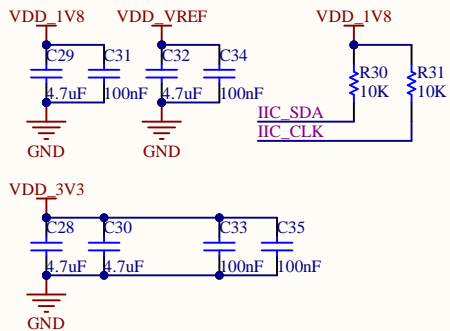
AUDIO CODEC



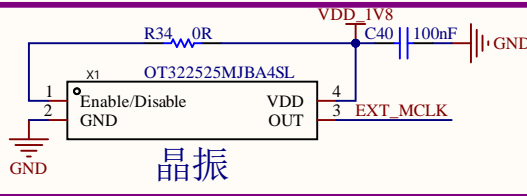
耳机插座



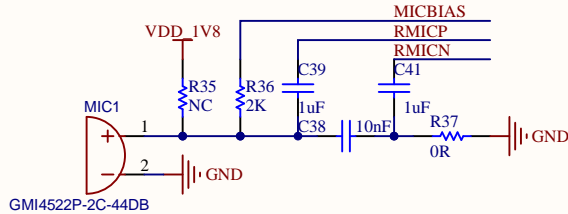
DECOUPLE



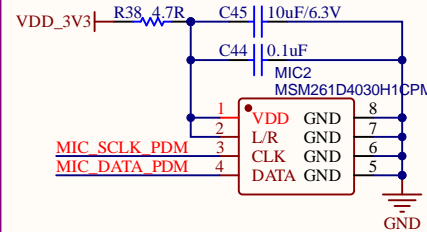
晶振



驻极体电容咪头MIC

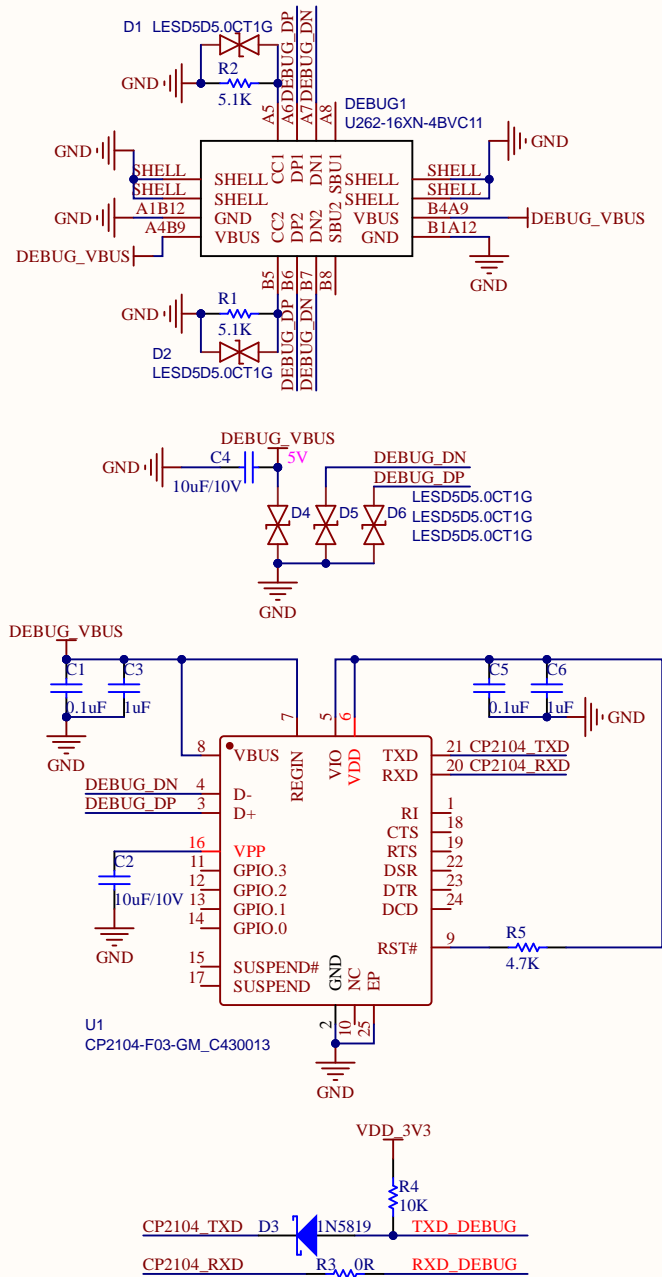


VAD MIC

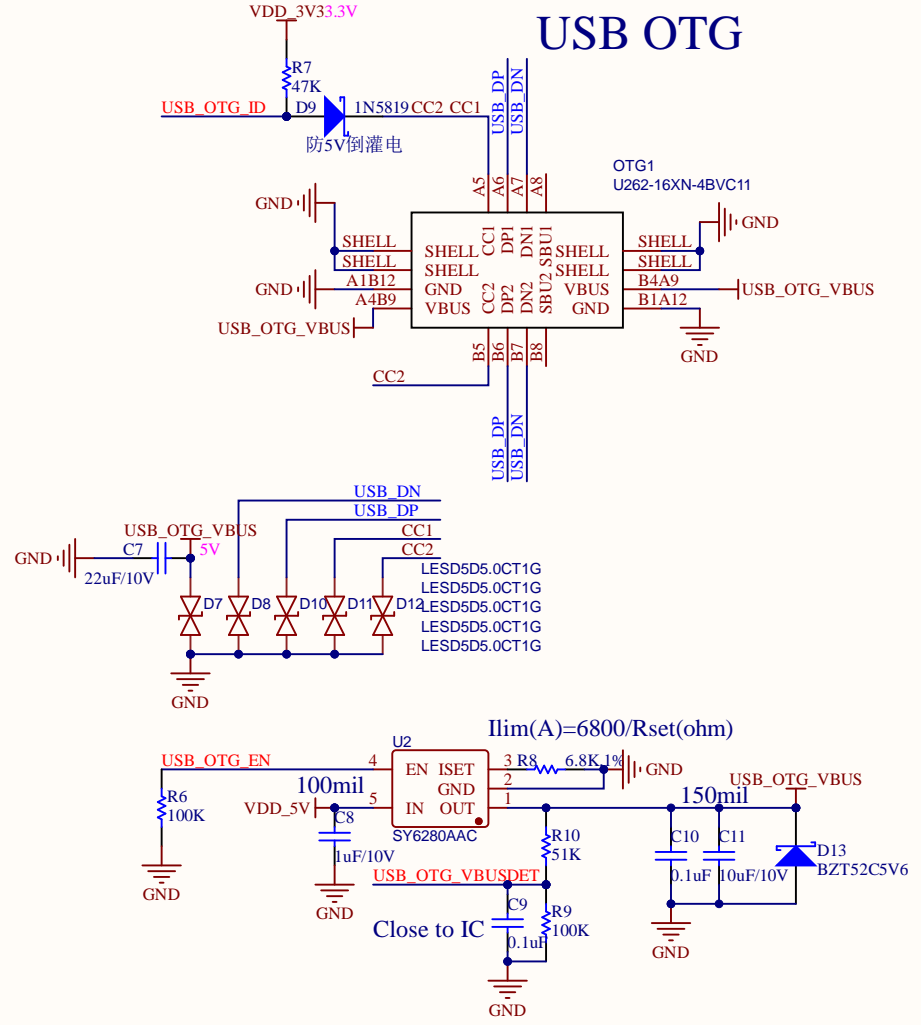


Title		
Size	Number	Revision
A4		
Date:	6/02/2023	Sheet of
File:	E:\Canaan嘉楠科技-K510\AUDIO.Sch Drawn By:	

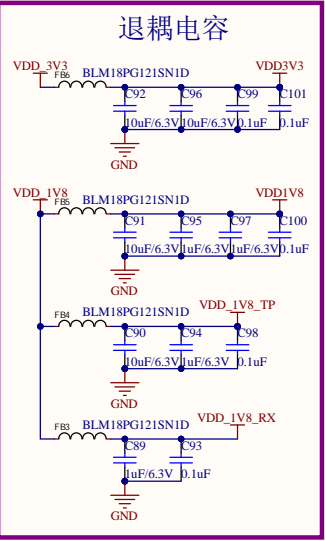
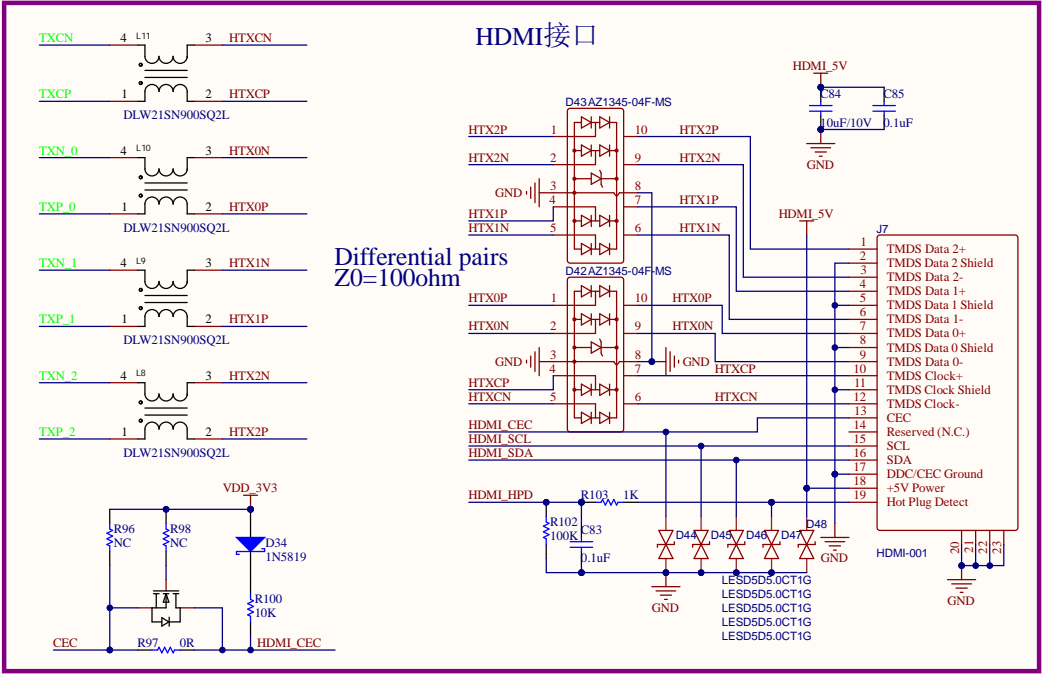
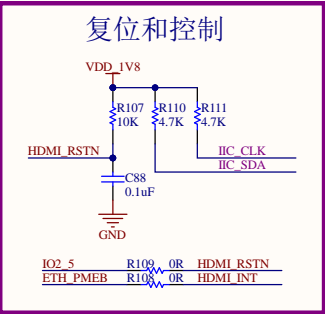
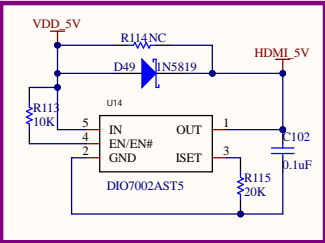
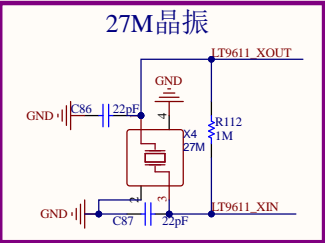
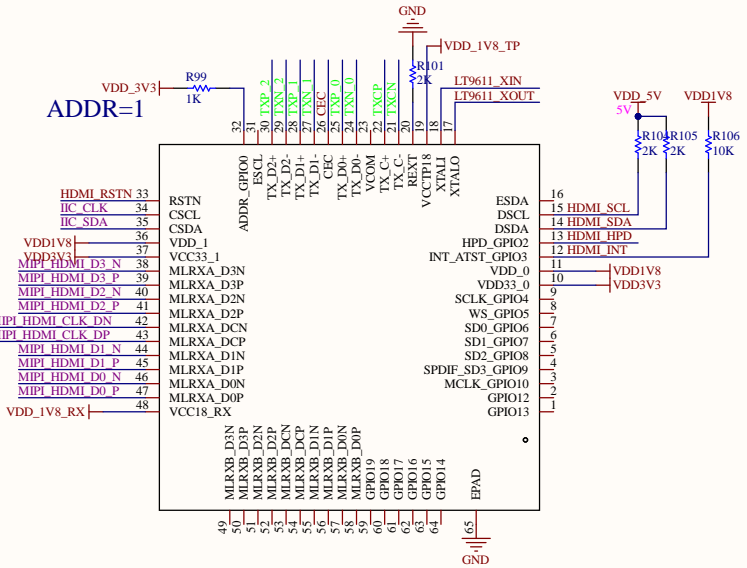
CP2104 & DEBUG



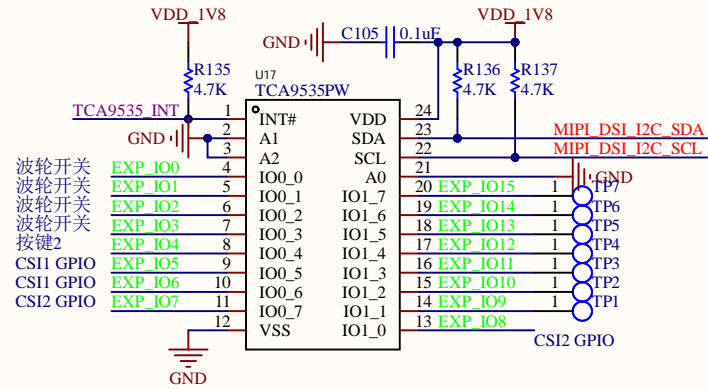
USB OTG



Title		
Size	Number	Revision
A4		
Date:	6/02/2023	Sheet of
File:	E:\Canaan 嘉楠科技-K510\CP2104 & USB OTG\SchDoc	



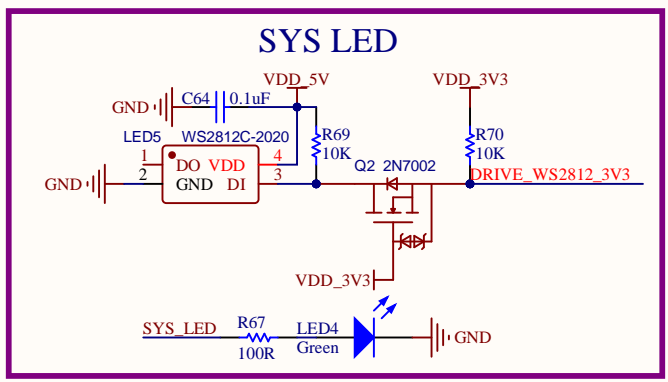
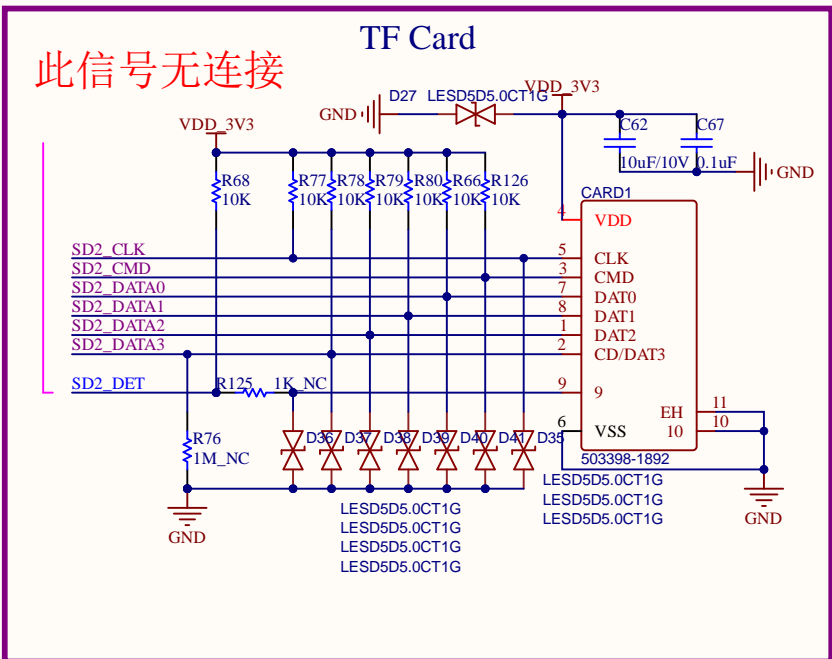
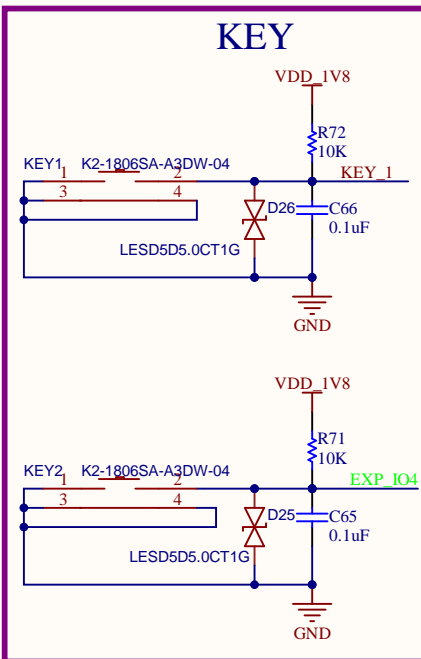
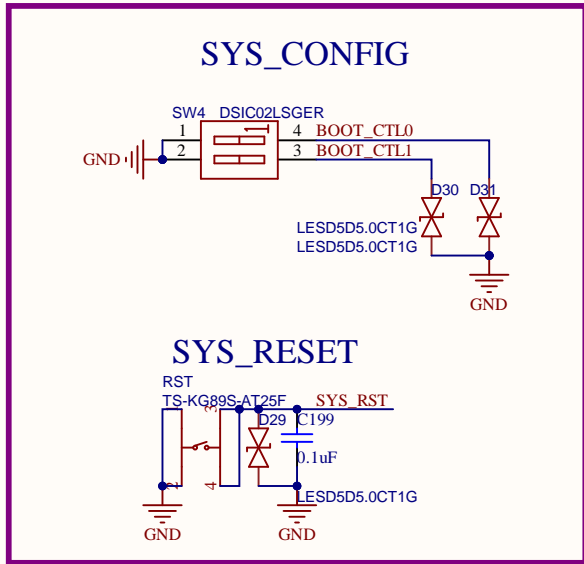
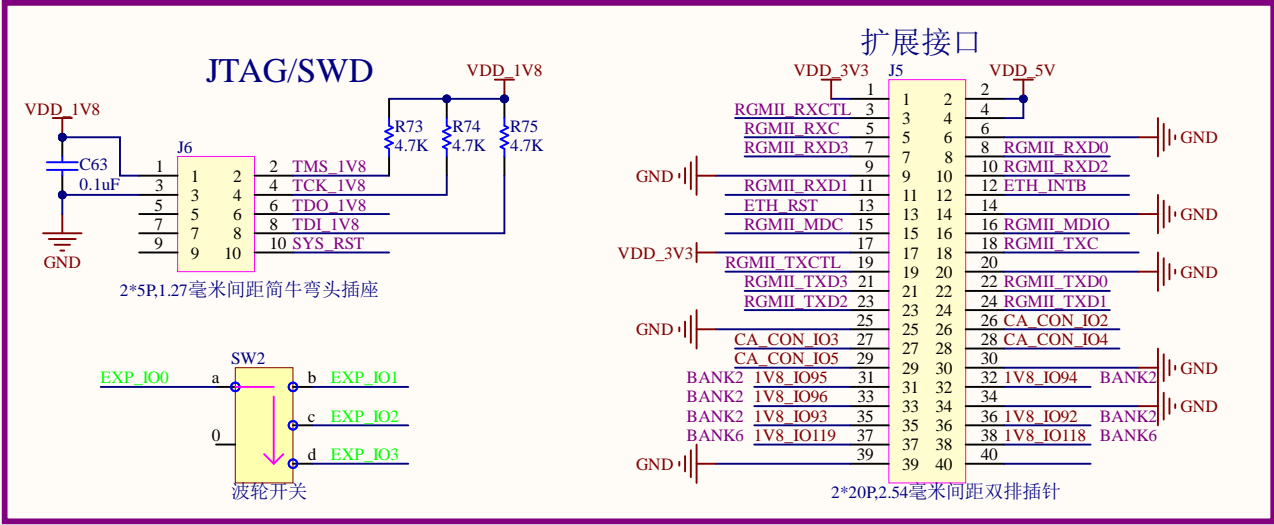
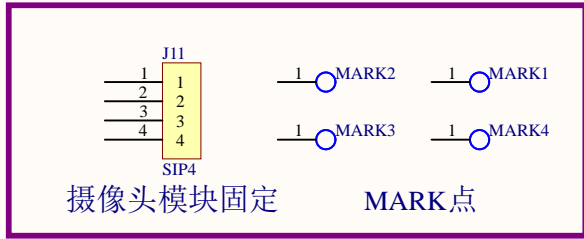
Title		
Size	Number	Revision
A3		
Date:	6/02/2023	Sheet of
File:	E:\Canaan\嘉楠科技-K510...HDMI_LTV011\sch Doc	



Address:0 1 0 0 A2 A1 A0 R/W

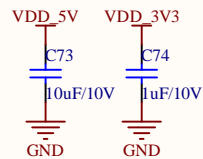
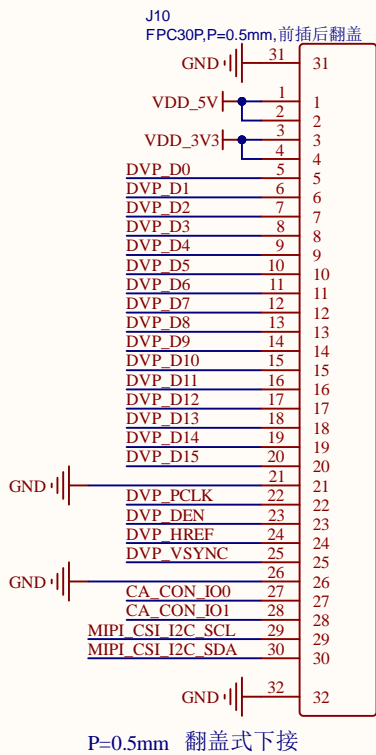
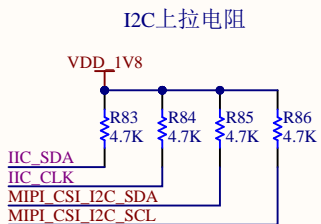
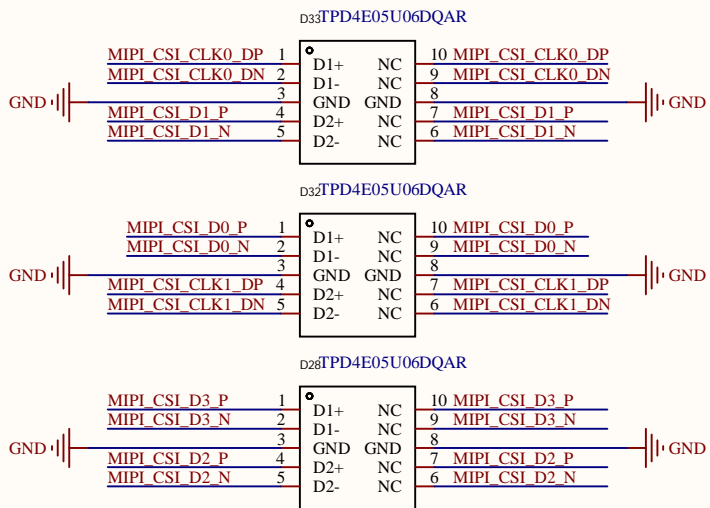


Title		
Size	Number	Revision
A4		
Date:	6/02/2023	Sheet of
File:	E:\Canaan 嘉楠科技-K510\I2C_EXPAND\IO_Exp.Doc	

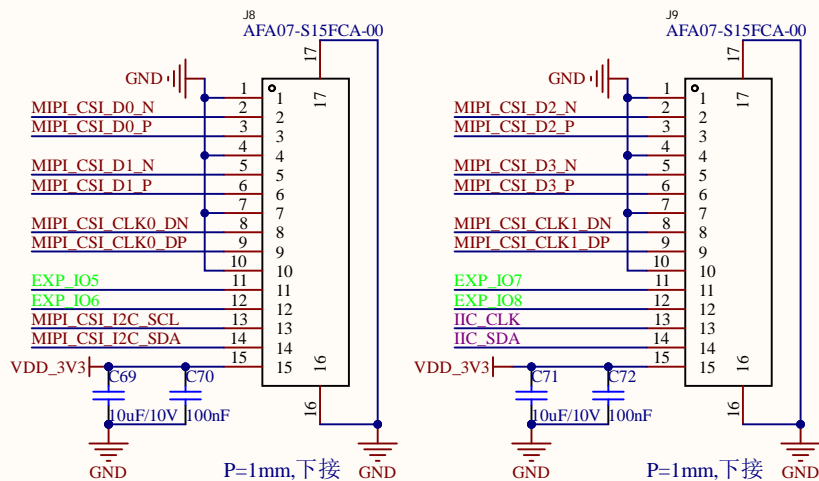


Title		
Size	Number	Revision
A4		
Date:	6/02/2023	Sheet of
File:	E:\Canaan 嘉楠科技-K510\KEY&LED&TF CARD&IO.SchDoc	

MIPI CSI/DVP CONNECTOR



备注：所有非MIPI的接口IO都是1.8V

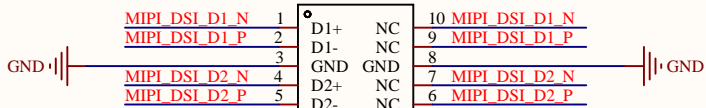


DVP接口需要对端进行转接，全部信号引出，便于各种灵活配置

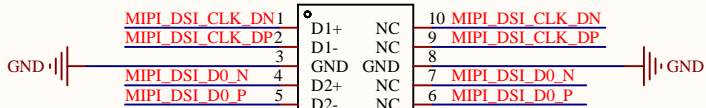
Title		
Size	Number	Revision
A4		
Date:	6/02/2023	Sheet of
File:	E:\Canaan 嘉楠科技-K510\MIPI_CSI_Schema By:	

DSI

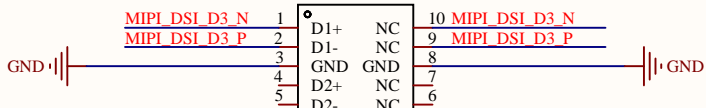
d24TPD4E05U06DQAR



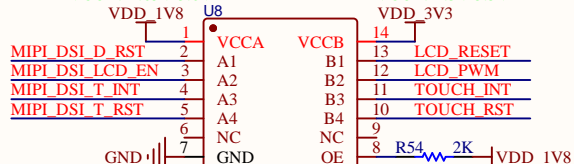
d23TPD4E05U06DQAR



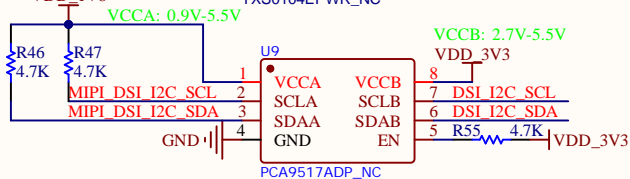
d22TPD4E05U06DQAR



VCCA: 1.65V-3.6V VCCB: 2.3V-5.5V

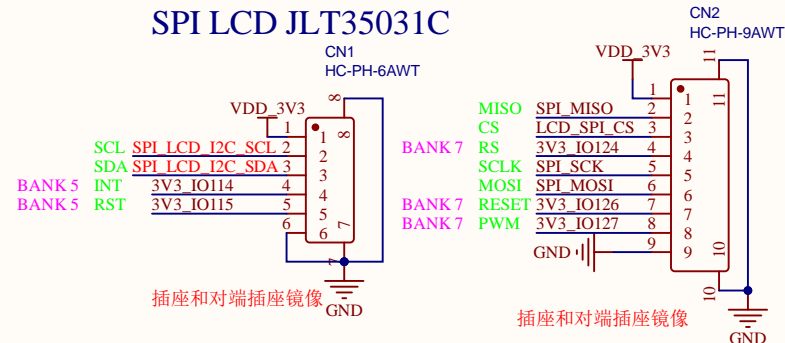


VCCA: 0.9V-5.5V VCCB: 2.7V-5.5V

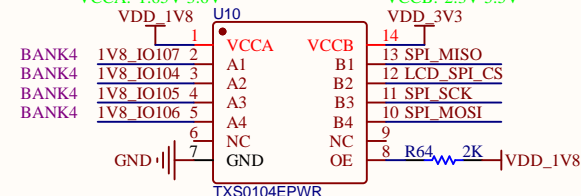


MIPI_DSI_D_RST	R53	0R	LCD_RESET
MIPI_DSI_LCD_EN	R52	0R	LCD_PWM
MIPI_DSI_T_INT	R51	0R	TOUCH_INT
MIPI_DSI_T_RST	R50	0R	TOUCH_RST
MIPI_DSI_I2C_SCL	R49	0R	DSI_I2C_SCL
MIPI_DSI_I2C_SDA	R48	0R	DSI_I2C_SDA

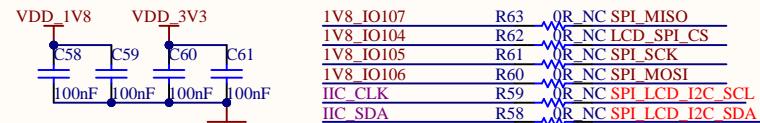
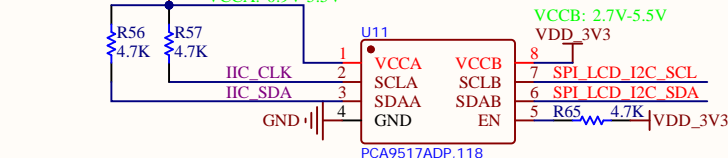
SPI LCD JLT35031C



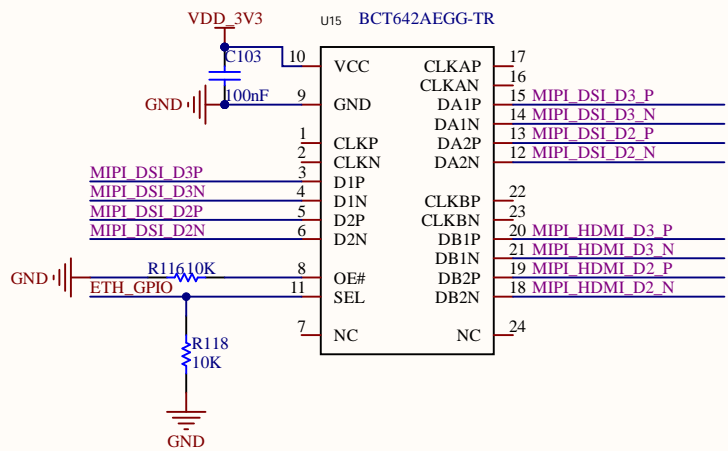
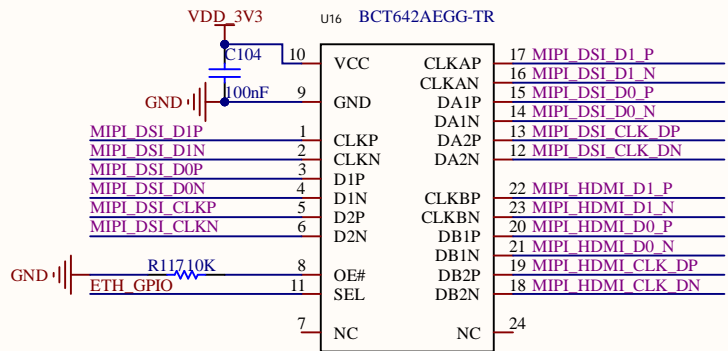
VCCA: 1.65V-3.6V VCCB: 2.3V-5.5V



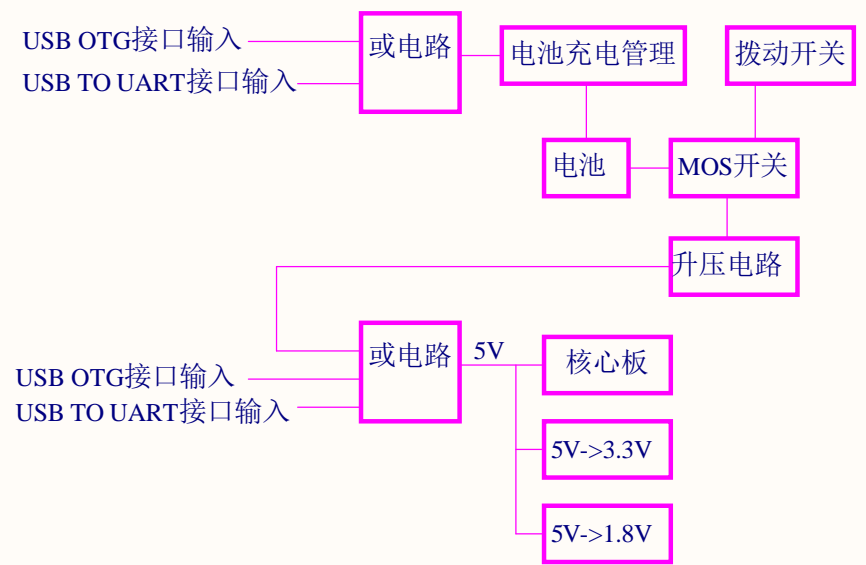
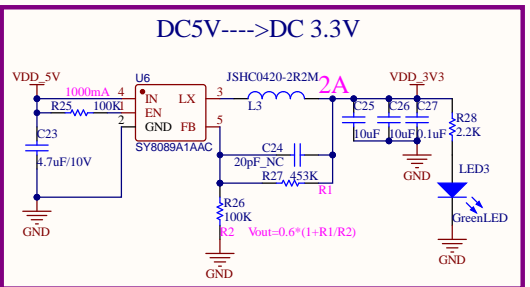
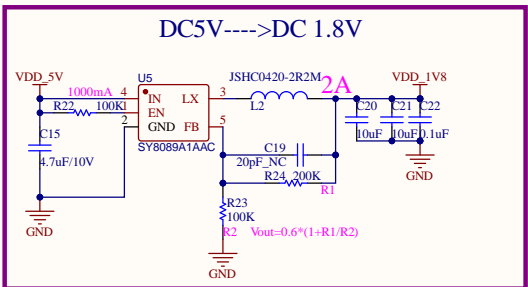
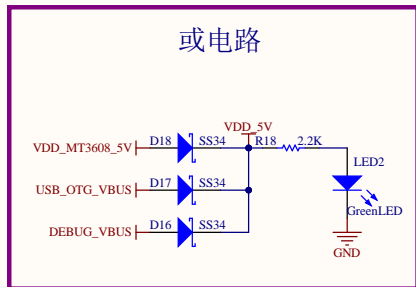
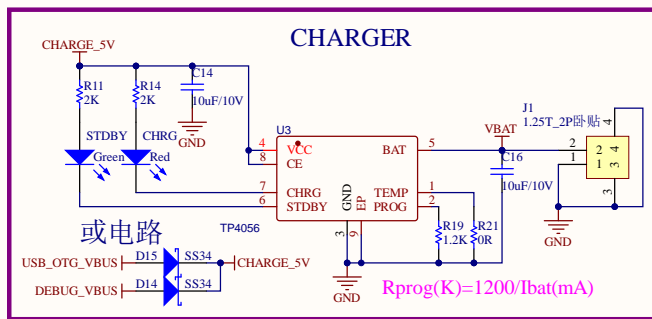
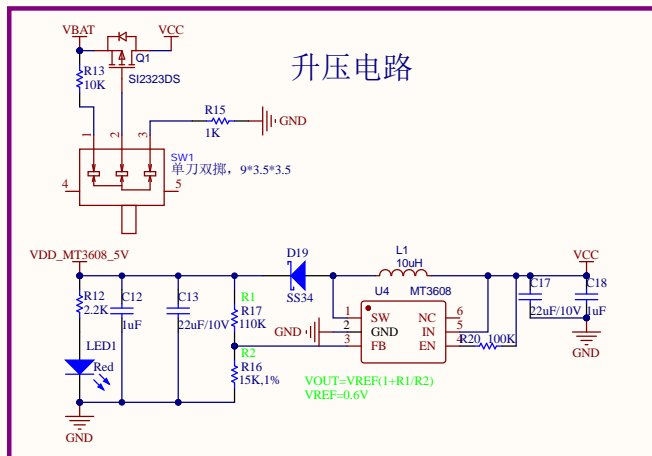
VCCA: 0.9V-5.5V VCCB: 2.7V-5.5V



Title		
Size	Number	Revision
A4		
Date:	6/02/2023	Sheet of
File:	E:\Canaan嘉楠科技-K510\MIPI_DSI_SCH\Drawn By:	



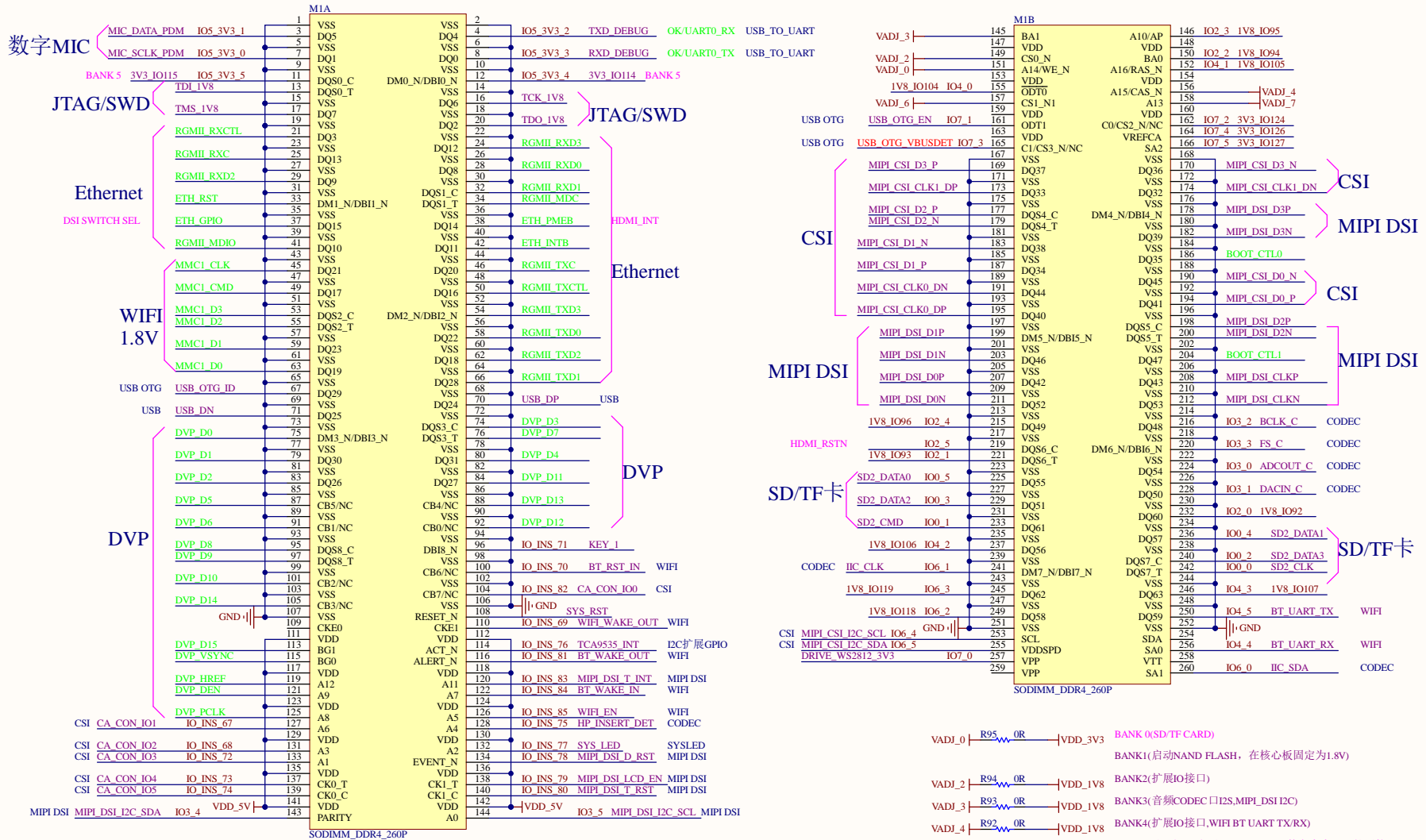
Title		
Size	Number	Revision
A4		
Date:	6/02/2023	Sheet of
File:	E:\Canaan 嘉楠科技-K510\MIPI_SW\TDD16_SchDoc	



Title		
Size	Number	Revision
A3		
Date:	6/02/2023	Sheet of
File:	E:\Canaan\嘉楠科技-K510...POWER.Sch	Drawn By:

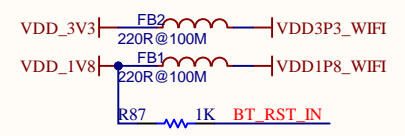
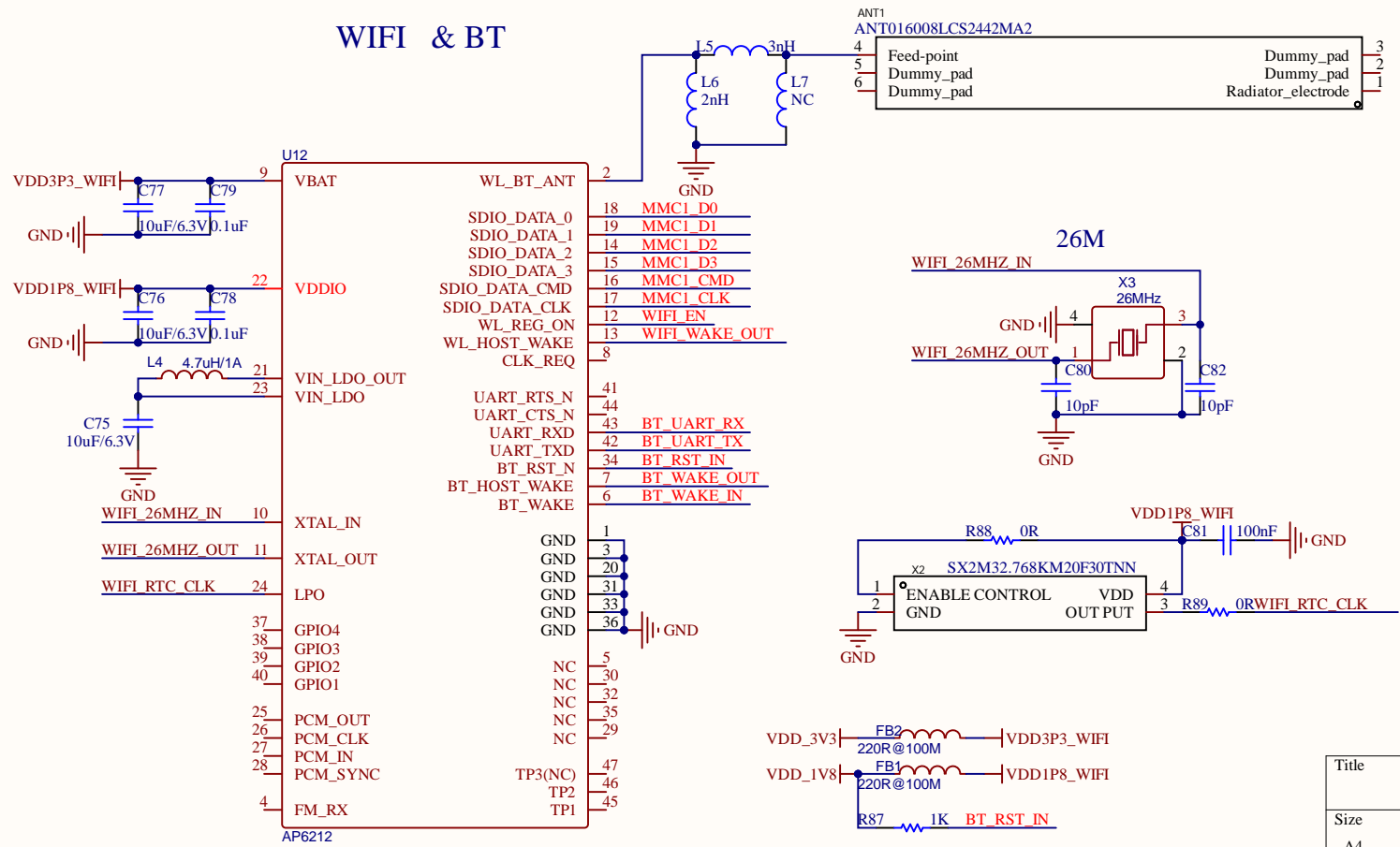
SODIMM_DDR4 260P(底板)

BANK0/7 3.3V BANK5 3.3V
BANK1/2/3/4/6 1.8V



Title		
Size	Number	Revision
A3		
Date:	6/02/2023	Sheet of
File:	E:\Canaan_嘉楠科技-K510...SODIMM_DDR4_260P.Doc	

WIFI & BT



Title		
Size	Number	Revision
A4		
Date:	6/02/2023	Sheet of
File:	E:\Canaan 嘉楠科技-K510\WIFI_AP6212_SchDoc	